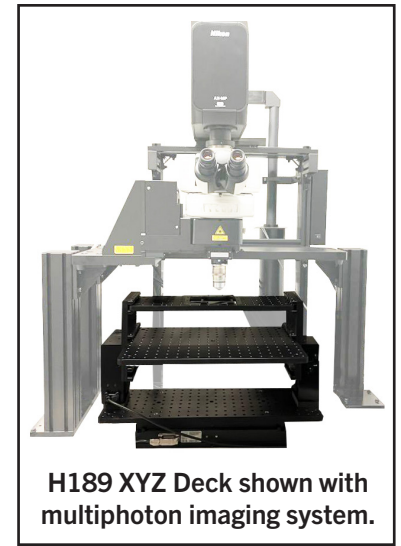


# HIGH PRECISION MOTORIZED XYZ DECK H189



H189 XYZ Deck shown with multiphoton imaging system.

Prior Scientific's new motorized XYZ DECK is the next generation of the DECK series by Prior. As a natural evolution from the original Z DECK, the new XYZ Deck is purposely designed to match the increased size and versatility of the latest generation of 2P/3P/Multiphoton/Confocal microscopy systems utilizing all the potential of the added sample space and microscope power of these new microscopes. Important features of the XYZ Deck include:

- Large removable metric breadboard is ideal for remote sample prep
- Sample height adjustable from 79.5mm to 410mm
- 50mm of motorized XY and Z travel
- Compatible with Queensgate Piezo Z models
- Ideal for large range of samples from whole animal *in vivo* studies to slides and petri dishes
- 100 kg XY stage capacity, 25kg Z axis lifting capacity
- Fast up/down control at the touch of a button
- Ideal for use with manipulators, probes or other sensory devices
- Includes DECK plate compatible with standard 160mm x 110mm Prior sample holders
- Compatible with most imaging software via the Prior ProScan III controller

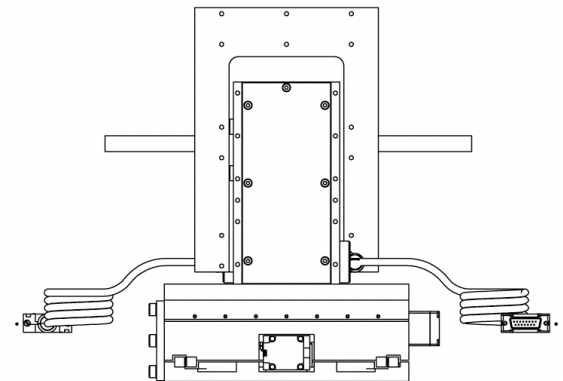
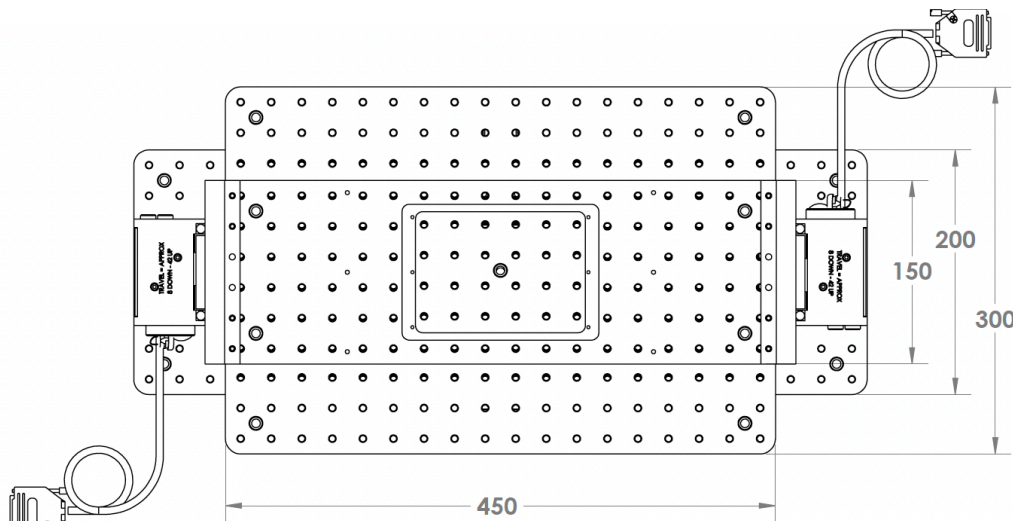
## Key Features

- Shelves remove for easy sample prep
- 25kg load lifting capacity
- Can be used with Queensgate Piezo Z module
- Controlled by Prior's ProScan III controller
- Compatible with most imaging software

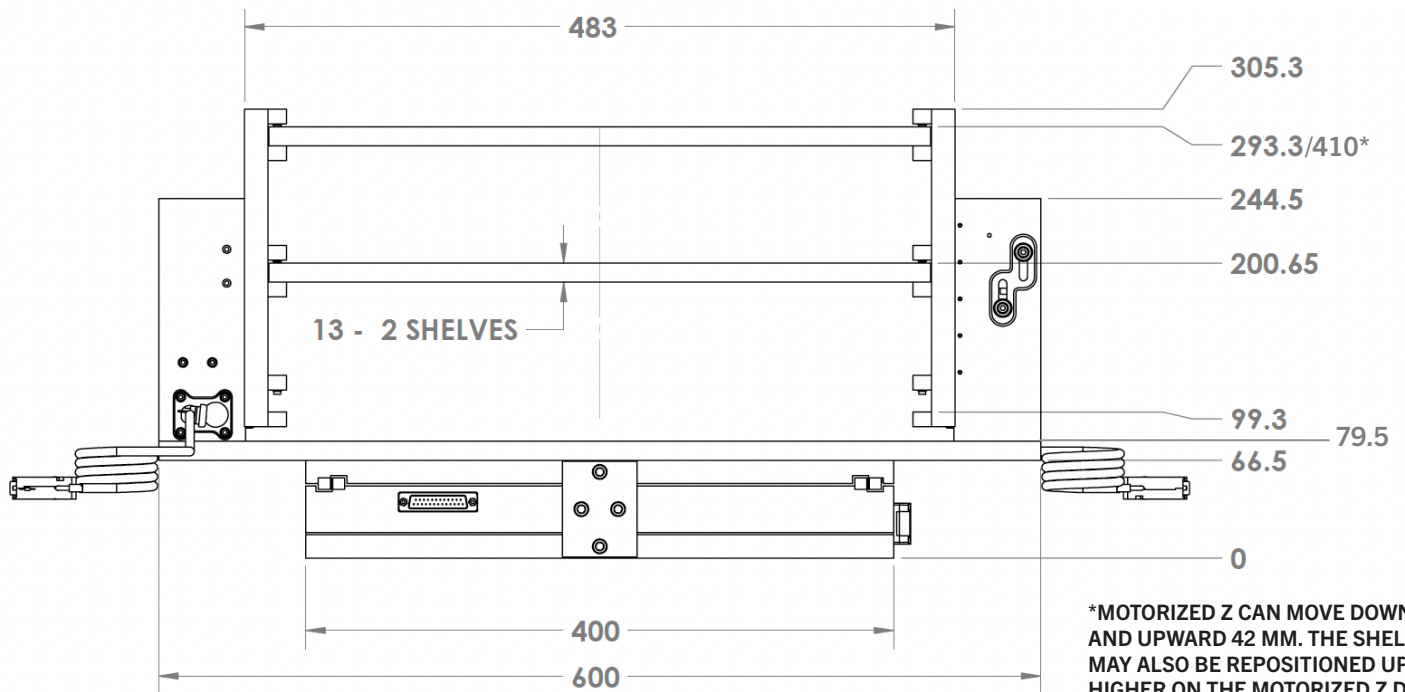
## Applications

- Multi-photon confocal microscopy
- Two photon microscopy
- Live animal research

# Technical Information



TRAVEL IN THIS AXIS IS + OR - 25MM SIDE TO SIDE



TRAVEL IN THIS AXIS IS + OR - 25MM SIDE TO SIDE

\*MOTORIZED Z CAN MOVE DOWN 8MM, AND UPWARD 42 MM. THE SHELF UNITS MAY ALSO BE REPOSITIONED UP TO 75MM HIGHER ON THE MOTORIZED Z DRIVES. MAX TOP SURFACE OF 410MM.

## UNITED KINGDOM

Prior Scientific Instruments Ltd.  
Units 3-4 Fielding Industrial Estate  
Wilbraham Road, Fulbourn  
Cambridge, CB21 5ET  
United Kingdom  
Email: [inquiries@prior.com](mailto:inquiries@prior.com)  
Phone: +44 (0)1223 881711

## U.S.A.

Prior Scientific, Inc.  
80 Reservoir Park Drive  
Rockland, MA. 02370  
U.S.A.  
Email: [info@prior.com](mailto:info@prior.com)  
Phone: +1 781.878.8442

## GERMANY

Prior Scientific Instruments GmbH  
Maria-Pawlowna-Str. 4  
D-07743, Jena, Germany  
Email: [jena@prior.com](mailto:jena@prior.com)  
Phone: +49 (0) 3641 24 20 10

## JAPAN

Kayabacho 3rd Nagaoka Bldg 10F,  
2-7-10, Nihonbashi Kayabacho, Chuo-Ku,  
Tokyo103-0025, Japan  
Email: [info-japan@prior.com](mailto:info-japan@prior.com)  
Phone: 03-5652-8831

## CHINA

Prior Scientific Instruments (Suzhou) Ltd.  
Room 1812, Honghai Building,  
72 Xingdu Street, Suzhou Industrial Park,  
Suzhou, 215000 China  
Email: [info-china@prior.com](mailto:info-china@prior.com)  
Phone: +86 (0)512 6617 5866

