

Motorized and Manual Nosepieces

For new or existing custom optical systems



HH339
6 Position
Motorized Nosepiece



HH219
2 Position
Motorized Nosepiece

Prior Scientific's wide variety of motorized and manual objective nosepiece assemblies can be integrated into new or existing custom optical systems. Prior's current portfolio of objective nosepieces range from a single objective fixed magnification for OEM applications, to a six position motorized nosepiece for automated scanning applications requiring multiple objectives. The plug and play functionality of each nosepiece ensures complete compatibility with Prior Scientific's ProScan™III series controller. Completely customized automated scanning platforms are available for slides or other sample types by combining the ProScan series controller with nine or more axes of automation from Prior's large assortment of standard microscopy automation products.

Features:

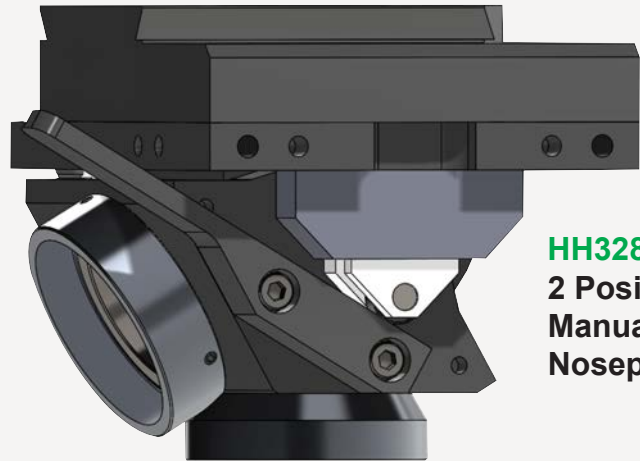
- Extremely high positional repeatability
- Easily integrated with ProScan controller
- Fits OpenStand and other microscopes
- Designed for M32 objectives
- Fits any objective with optional adapters
- Customized designs are available

Motorized and Manual Nosepieces

For new or existing custom optical systems

Manual Nosepieces

The HH328 two position manual nosepiece allows the user to scan samples quickly at low magnification to locate areas of interest and easily switch to higher magnification for high resolution imaging.



HH328
2 Position
Manual
Nosepiece

Custom Nosepieces

Custom nosepiece designs are available upon request. Please contact a Prior Scientific sales engineer to learn more.



Specifications

Part Number	Number of Objectives	Motorized/Manual
HH328	2	Manual
HH219	2	Motorized
HH339	6	Motorized

Compatible Products

- XY stages
- Z focus
- Filter wheels/shutters
- Motorized dichroic changers
- Controllers
- Programmable stepper motor OEM axes
- Laser autofocus

UNITED KINGDOM

Prior Scientific Instruments Ltd.
Units 3-4 Fielding Industrial Estate
Wilbraham Road, Fulbourn
Cambridge, CB21 5ET
United Kingdom
Email: inquiries@prior.com
Phone: +44 (0)1223 881711

U.S.A.

Prior Scientific, Inc.
80 Reservoir Park Drive
Rockland, MA. 02370
U.S.A.
Email: info@prior.com
Phone: 781.878.8442

GERMANY

Prior Scientific Instruments GmbH
Maria-Pawlowna-Str. 4
07743 Jena, Germany
Email: jena@prior.com
Phone: +49 (0)3641 242 010

JAPAN

Prior Scientific KK
Kayabacho 3rd Nagaoka Bldg 10F,
2-7-10, Nihonbashi Kayabacho,
Chuo-Ku, Tokyo103-0025, Japan
Email: info-japan@prior.com
Phone: 03-5652-8831

CHINA

Room 1812, Honghai Building,
72 Xingdu Street, Suzhou
Industrial Park,
Suzhou, 215000, China
Email: info-china@prior.com
Phone: +86 (0)512 6617 5866