

NanoScan SP400/SP600/SP800

Nanopositioning Piezo Sample Scanner

The NanoScan SP series of high speed Piezo Z stages deliver the largest positioning distance for an open frame microscope Z device. The stages have unmatched positioning performance and stability along with the fastest recovery between Z stacks. Their compatibility with Prior's Proscan XY stage systems and other existing microscopes make the SP series Piezo Z stage a powerful, versatile, and modular component of any imaging system.

The design accommodates a variety of easily mounted sample holders from well plates to dishes to tissue cuvettes. The low profile design with a large aperture provides ample room for specimen viewing with high N/A lenses and close range specialty illumination systems. Applications such as lightsheet, confocal, and two photon microscopy as well as high content screening, surface profiling, live cell time lapse imaging, and other applications where Z scanning is critical all can utilize the SP series of Z sample stages.



Applications

- Multi-photon microscopy
- Optical sectioning producing 3D images
- Live cell imaging
- Autofocus systems for time lapse imaging
- High content screening
- Surface analysis
- OEM custom solutions

Key features:

- Capacitive positioning sensors give market leading resolutions of less than one nanometer.
- Step and settle in less than 10 ms.
- Loads of up to 1 kg available. Higher loads available upon request.
- Connectors have built-in stage calibration providing plug and play electronics that can be interchanged, minimizing system downtimes.
- User-configurable settings optimized for different loads (use with an incubator) and performance needs. The user selects the best setting for their application.
- Tested to function over 10 million full range cycles.

NPC-D-6110 Controller



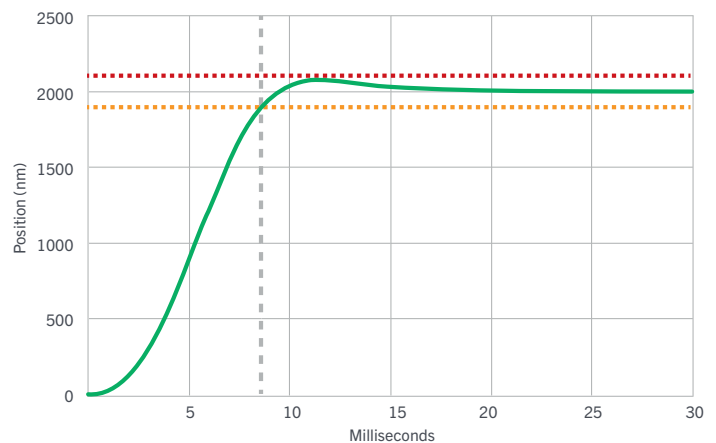
- The powerful digital controller drives the SP400/600/800 at the fastest speeds possible.
- Motion control algorithms with acceleration/ deceleration control and active damping reduce overshoot.
- Velocity control algorithm gives ultra-smooth ramps for applications such as focus stacking or focus bracketing.
- Market-leading 20 μ s update rate
- Fastest recovery time between z-stacks, providing enhanced time resolution
- Selectable tuning presets which optimize for step settle or sample mass (for example, incubator).

Interfacing

- Analog command input and position output (0-10 V) for compatibility with existing systems.
- Digital commands over USB for maximum accuracy with a DLL interface for customer software. In-position digital outputs can be used to control camera imaging by providing rapid z-stacking.
- Digital quadrature/step-and-direction commands allow high-speed control with a standard 2-wire motion controller interface, without the need for expensive high-precision ADCs/DACs.
- Playback of custom-programmed waveforms such as constant-velocity profiles. Separate digital trigger outputs can be activated at custom-defined points to control external equipment such as camera imaging.
- Compatible with Queensgate Nanobench, Micro-Manager, Metamorph, Elements via RS232C, and other customer software using the DLL interface provided.
- Can be connected to Prior ProScan III for integrated fine z-control.

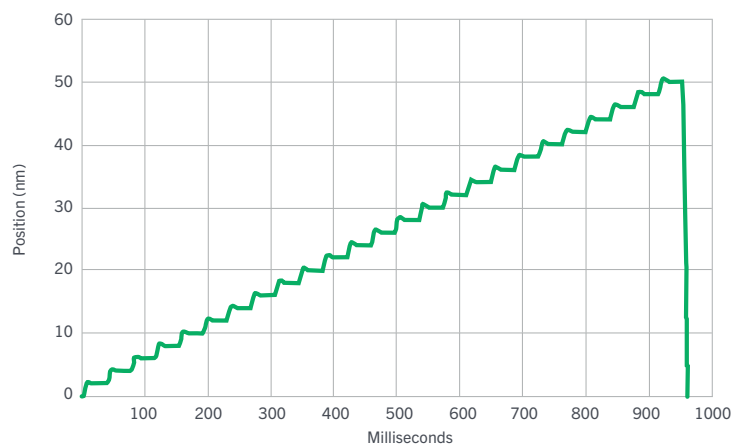
SP400/600/800 2 μ m step and settle

Settling time of the NanoScan SP400/600/800 stage with NPC-D-6110 controller including sample holder.



SP400/600/800 staircase test with 200 g load

The NanoScan SP400/600/800 have unsurpassed speed and settle time minimizes rejected images, reduces drift and allows for higher throughput.



Technical specification for NanoScan SP400/SP600/SP800 (typical)

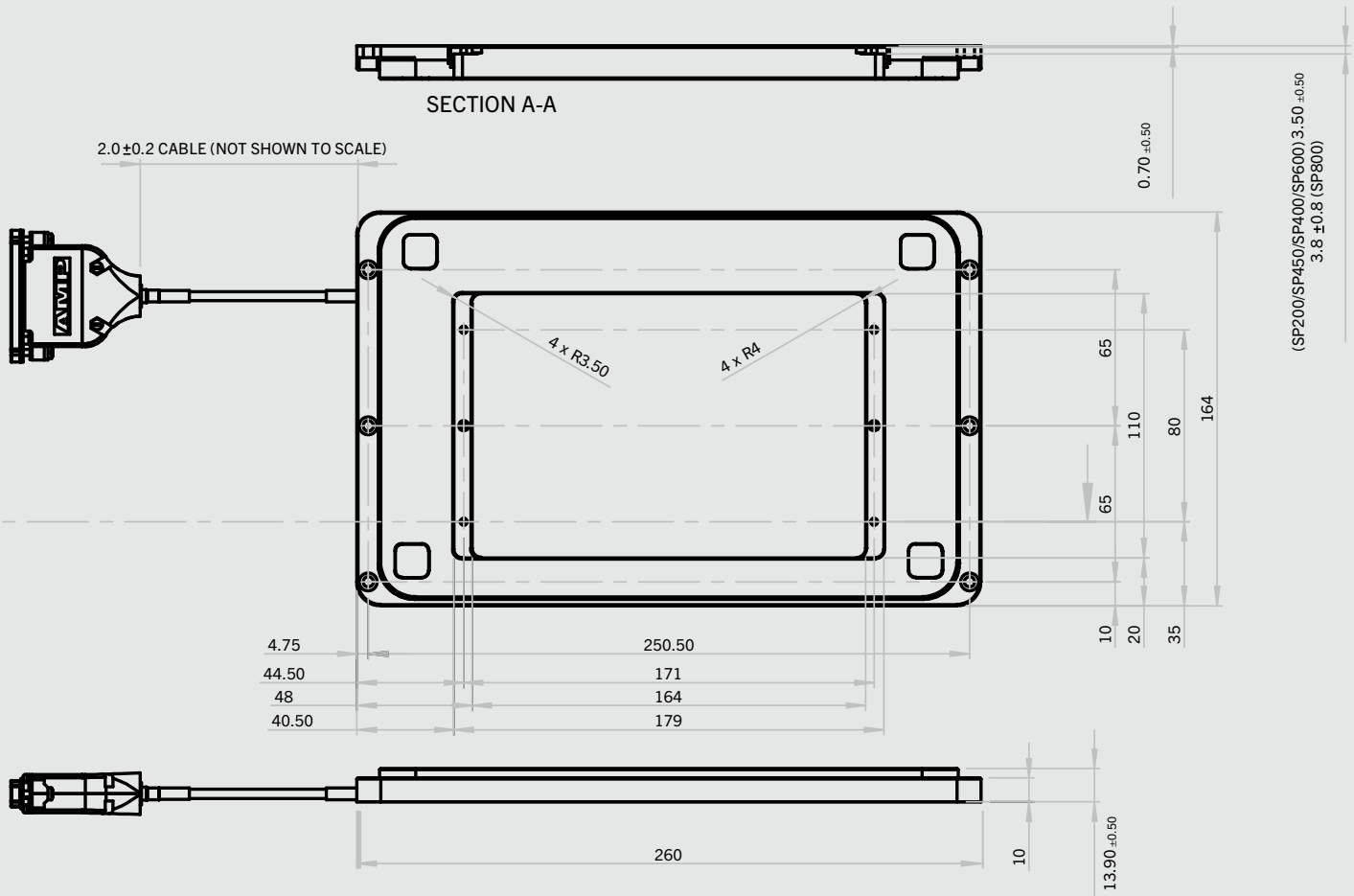
Product specification	SP400	SP600	SP800
Material	Aluminum/stainless	Aluminum/stainless	Aluminum/stainless
Dimensions, external, LxWxH	260 x 164 x 13.7 mm	260 x 164 x 13.7 mm	260 x 164 x 14 mm
Dimensions, internal, LxW	179 x 110 mm	179 x 110 mm	179 x 110 mm
Closed-loop range	400 μ m	600 μ m	800 μ m
Open-loop range	490 μ m	730 μ m	970 μ m
Resolution (RMS position noise)	0.7 nm	0.7 nm	1.2 nm
Linearity	0.2 %	0.2 %	0.2 %
Repeatability	3 nm	3 nm	3 nm
Resonant frequency, unloaded	260 Hz	230 Hz	185 Hz
200 g loaded (sample holder)	170 Hz	155 Hz	138 Hz
500 g loaded (incubator)	120 Hz	115 Hz	105 Hz
5% settle 2 μ m step (with 200 g)	8 ms	9 ms	10 ms
0.5% settle 100 μ m step (with 200g)	22 ms	23 ms	26 ms

Technical specification for NPC-D-6110 Controller

Parameter	Value	Comments
Mechanical		
Dimensions	318 x 240 x 90 mm	Space required for rear connectors and cables.
Weight	3.0 kg	
Cooling	Convection and temp. controlled fan	Vents on rear and base
Electrical		
Power input	100 to 240 nominal 47 to 63 Vrms Hz	Only use approved power supply
Connectivity		
USB type B connector	2.0 compliant	Power not taken from USB port
Analog input command	BNC - 0 -10 V	Front panel
Analog position monitor output	BNC - 0 -10 V	Front panel
“TRIG” Input, “TRIG” Output, “IN-POS” output and quadrature interface	25 pin D-type socket - 5V TTL	
Controller synchronizing signals	9 pin D-type socket	Rear panel
Environmental - Operational		
Temperature	10 to 40 °C	
Relative Humidity	5 to 80 %RH	Non-condensing

Incubator – various incubators can be used with the NanoScan-SP range of Z scanners. We reserve the right to introduce improvements and modify specifications without prior notice.

Technical Drawing for NanoScan SP400/SP600/SP800 (typical)



Information for ordering and accessories

Part number	Description
QGSP400-D1	NanoScan SP400 400 µm closed loop Z scanner with NPC-D-6110 digital controller
QGSP600-D1	NanoScan SP600 600 µm closed loop Z scanner with NPC-D-6110 digital controller
QGSP800-D1	NanoScan SP800 800 µm closed loop Z scanner with NPC-D-6110 digital controller
Accessories	
QGSP301XR	Extra recessed microtitre plate holder
QGSP302XR	Extra recessed universal specimen holder
QGSP303XR	Extra recessed single slide holder for 25x75 mm slides (1x3 inch) or 50x75 mm slides (2x3 inch)
QGSPADAPT1	SP Z scanner to Nikon Ti2 motorized XY stage adapter
QGSPADAPT2	SP Z scanner to Prior HLD117NN linear XY stage adapter
QGSPADAPT3	SP Z scanner to Olympus IX3 SSU XY stage adapter
QGSPADAPT4	SP Z scanner to Prior H101F upright motorized XY stage adapter, requires QGSPADAPT110X160 upright sample holder adapter

The SP400/SP600/SP800 can mount without adapters to a Prior H117 or HLD117 (Excluding HLD117NN) inverted microscope XY stage.