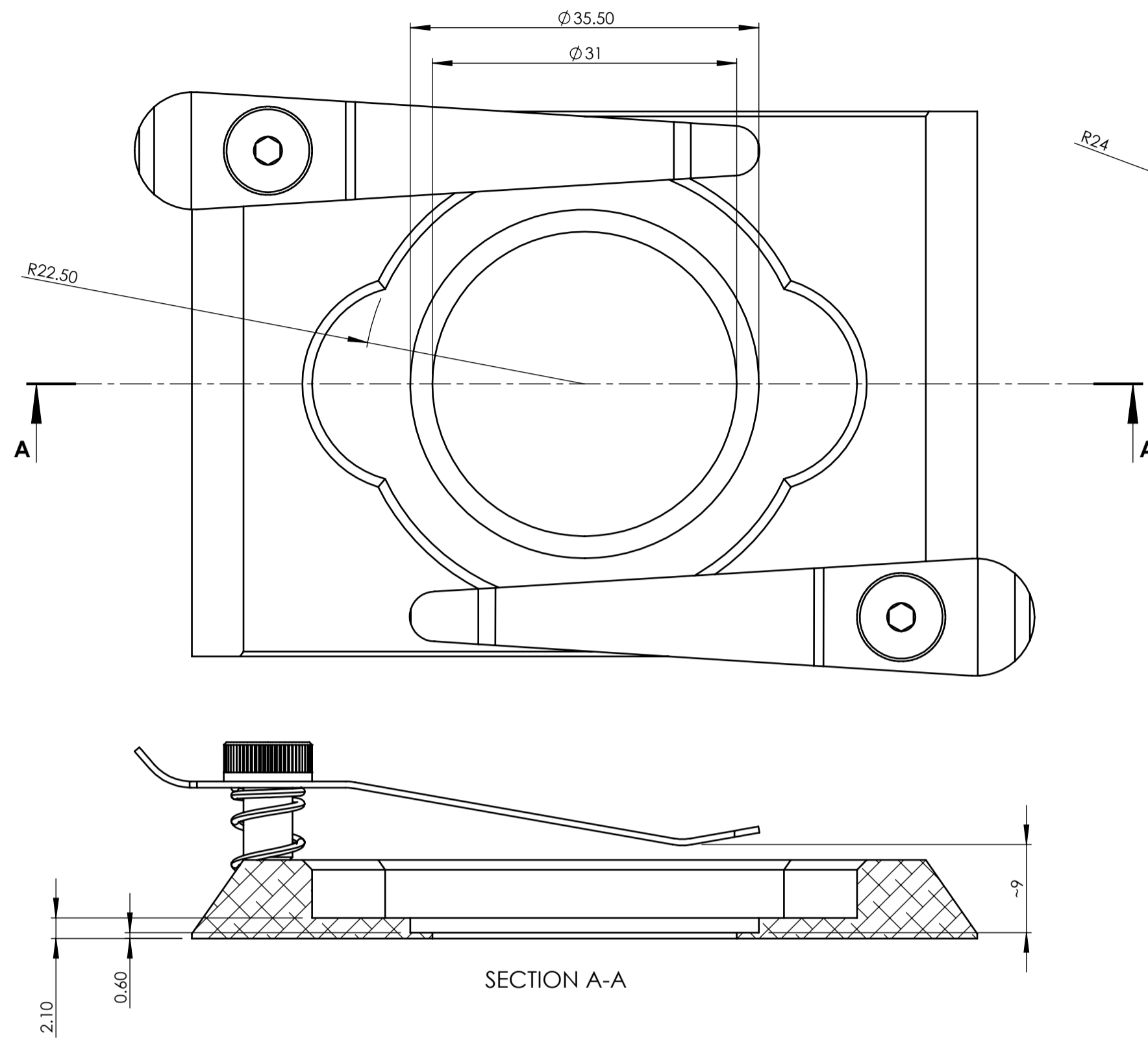
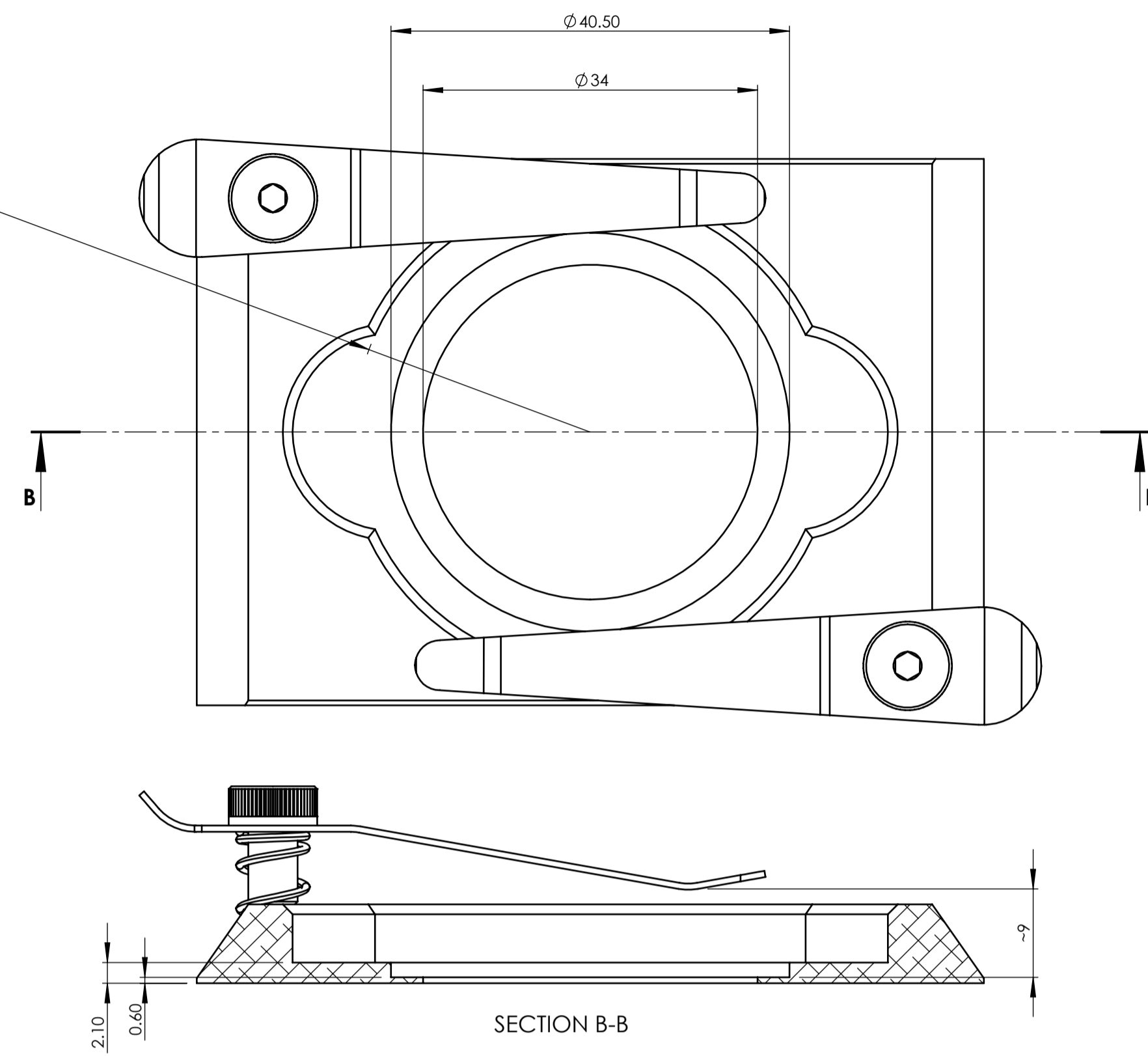


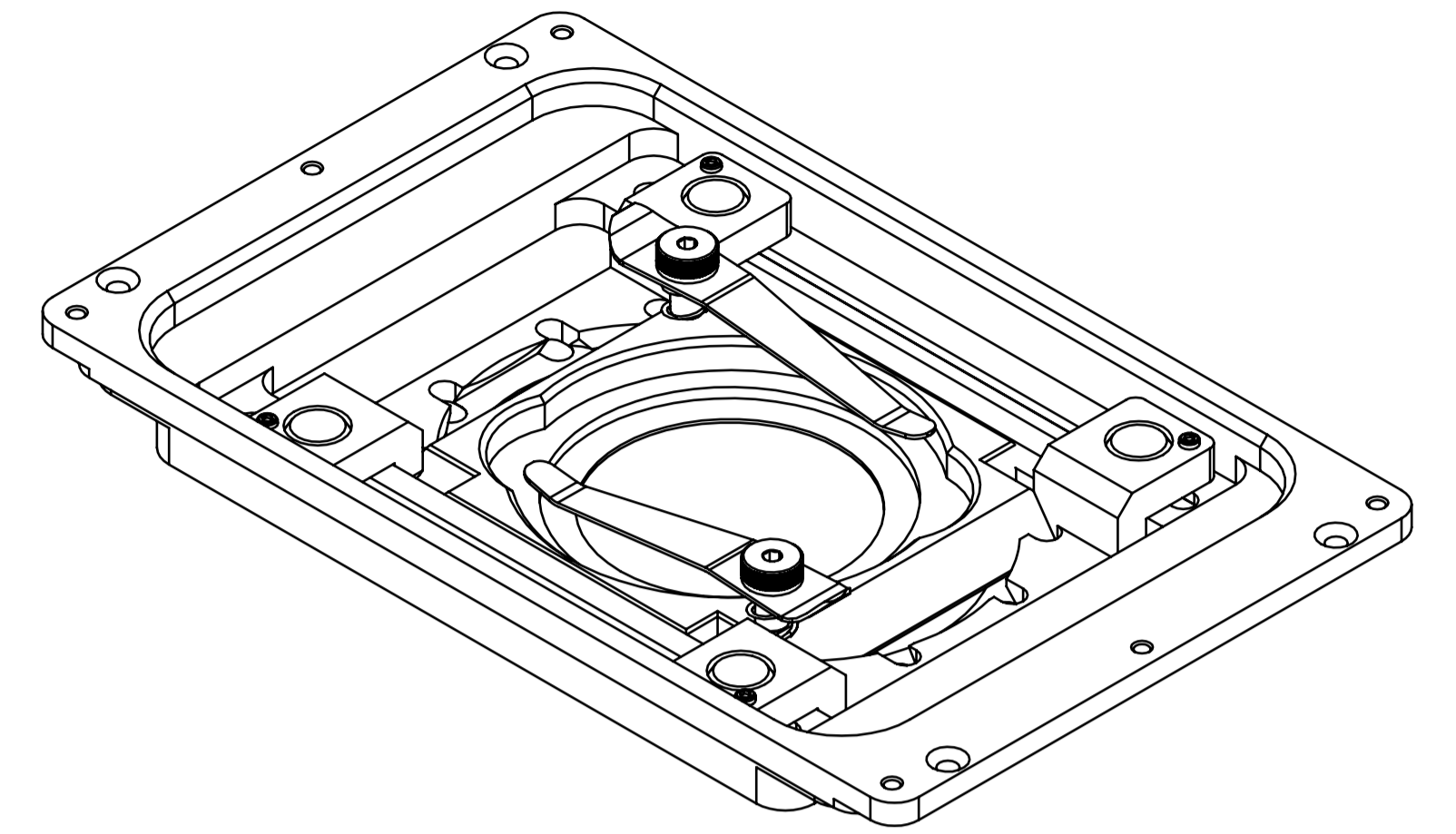
PART NO QG-UNIV-DISH-35, FOR 35 TO 33mm BASE DIAMETER DISHES



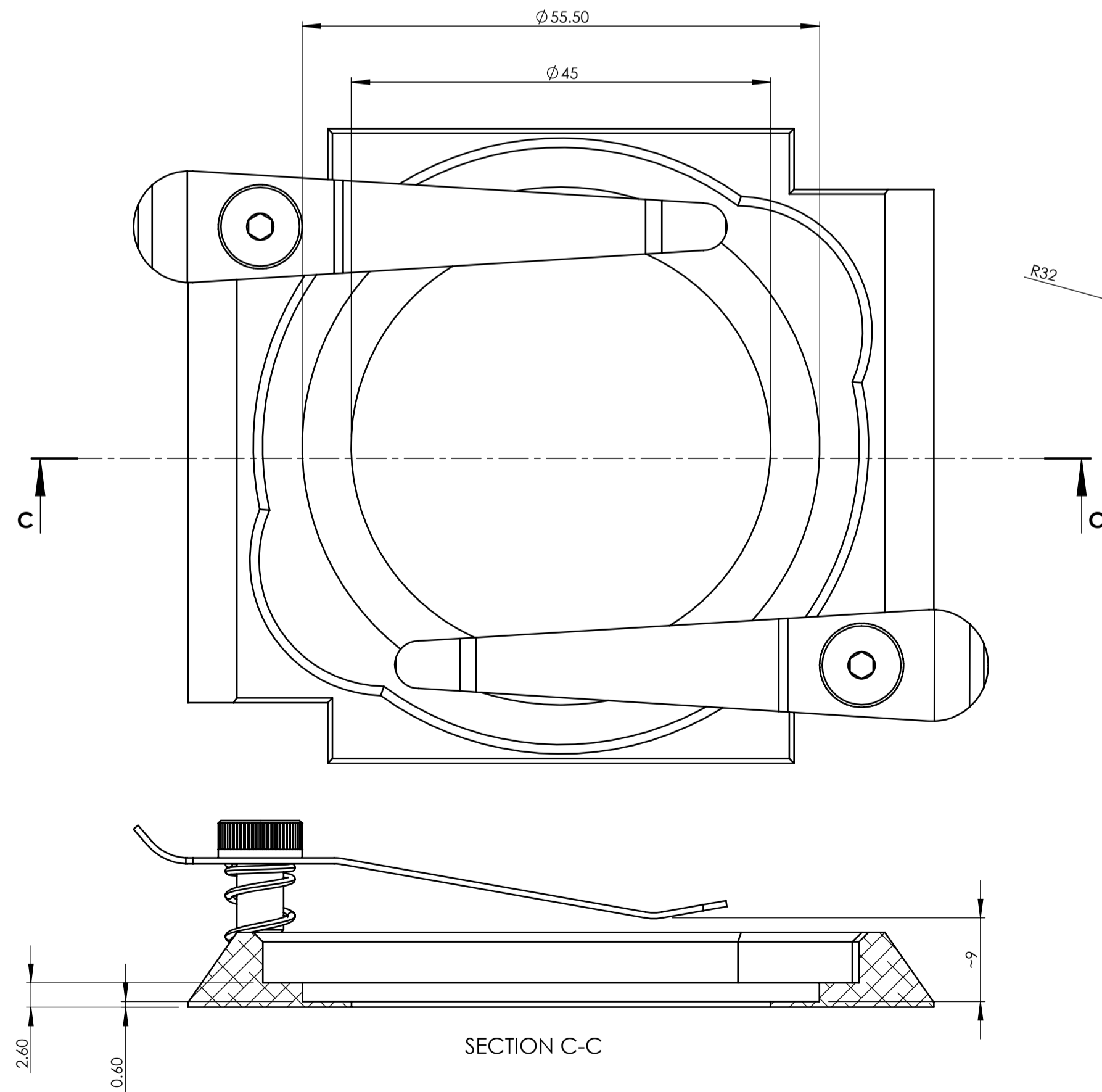
PART NO QG-UNIV-DISH-40, FOR 40 TO 36mm BASE DIAMETER DISHES



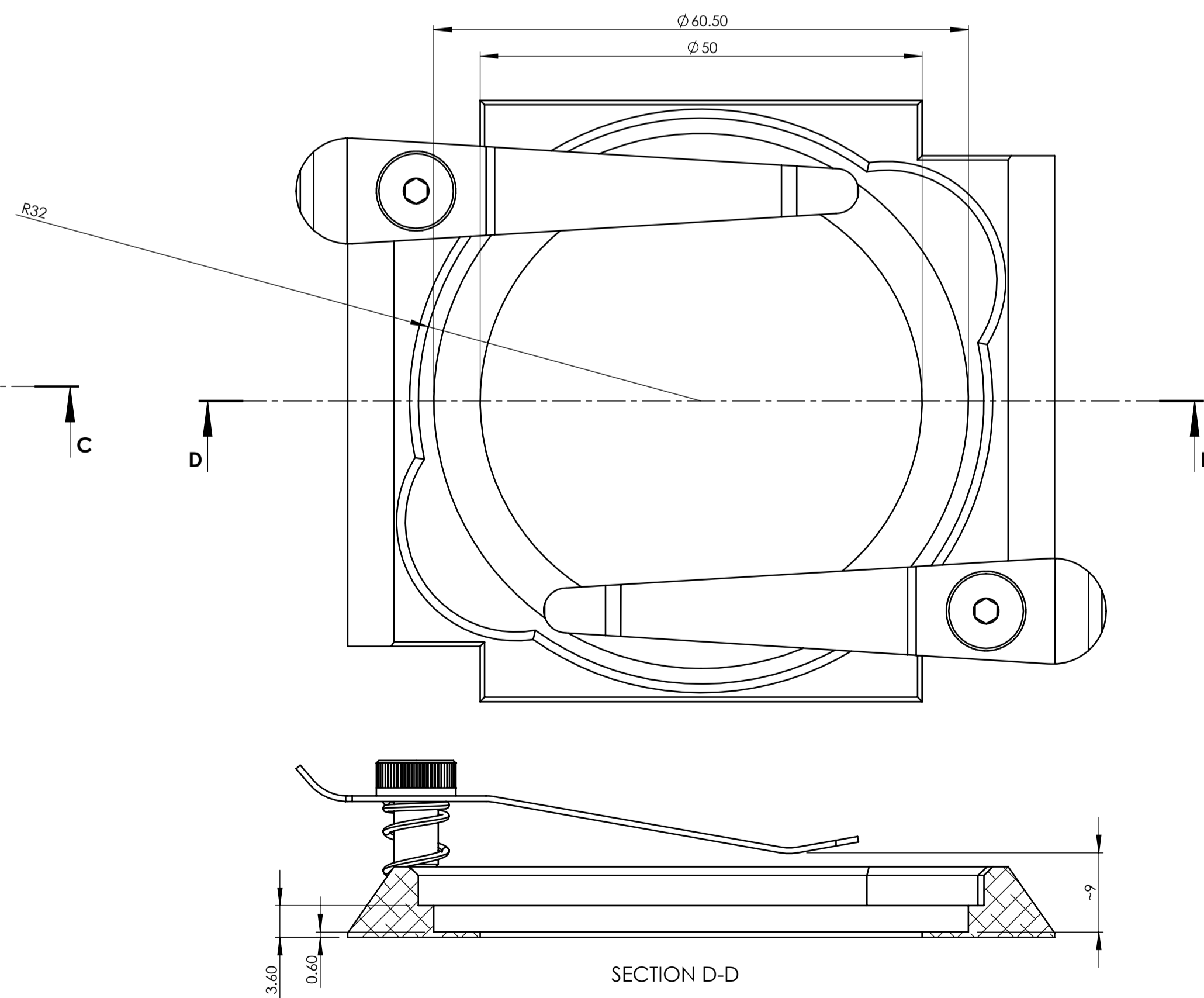
DISH HOLDERS WITH AN QGSP302XR SAMPLE HOLDER.
DISH HOLDERS ALSO FIT MOST PRIOR UNIVERSAL SAMPLE HOLDERS



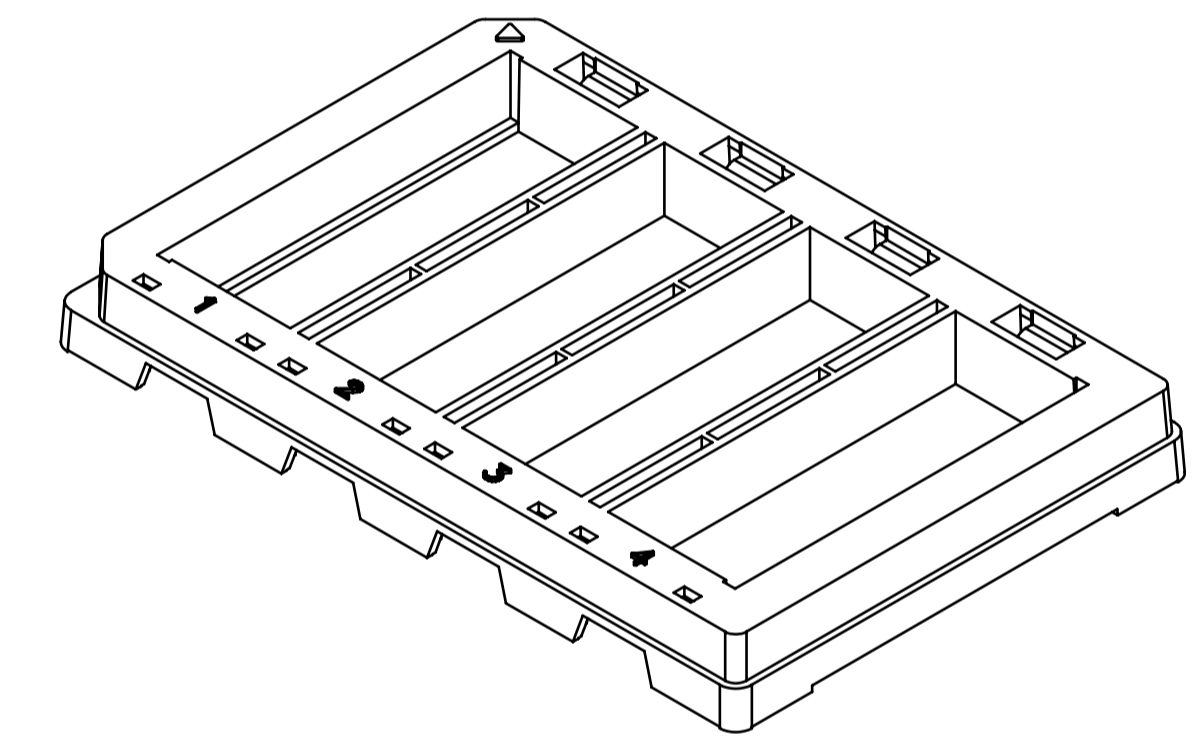
PART NO QG-UNIV-DISH-55, FOR 55 TO 50mm BASE DIAMETER DISHES



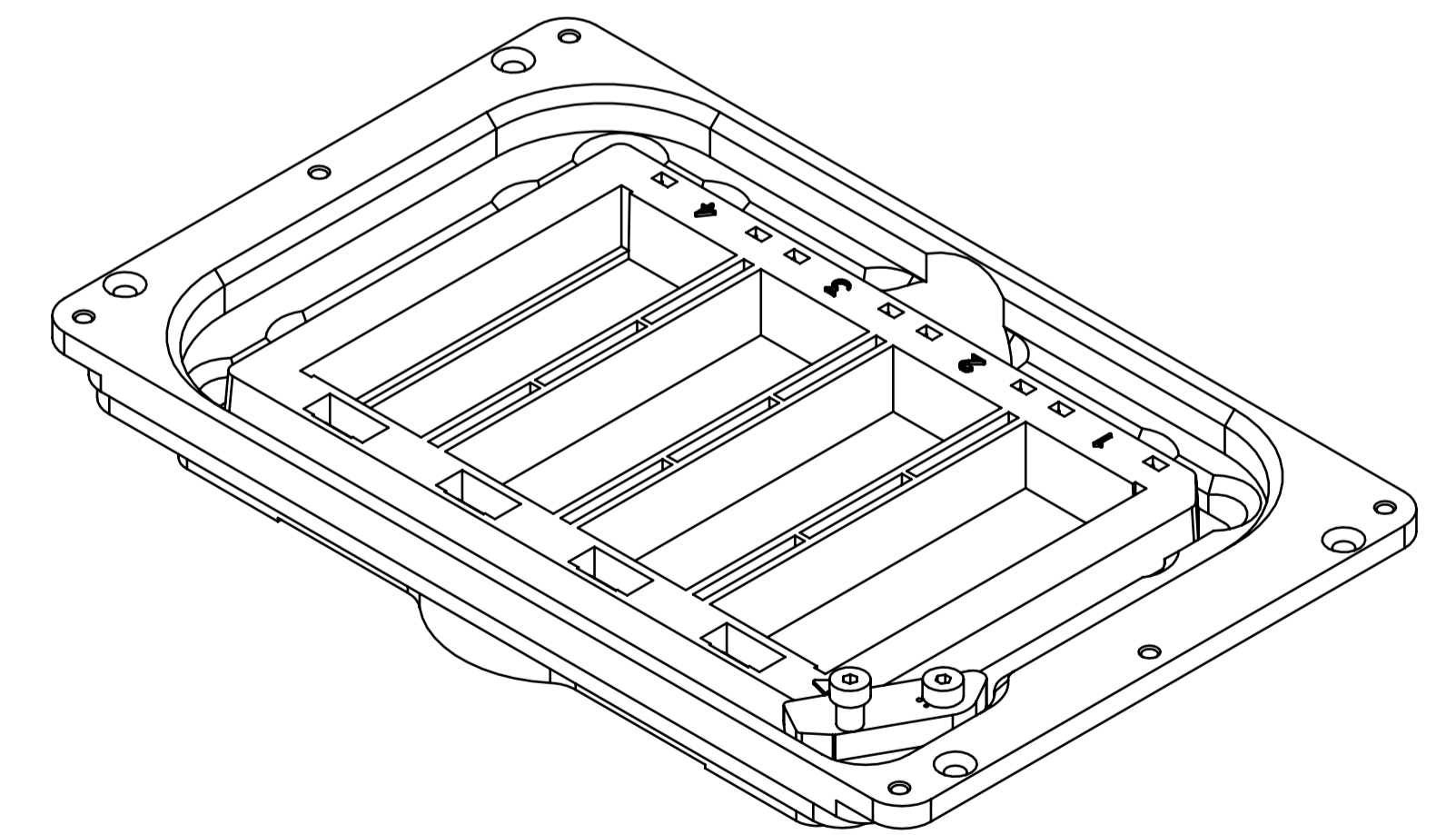
PART NO QG-UNIV-DISH-60, FOR 60 TO 55mm BASE DIAMETER DISHES



PART NO QG-MULTI-4SLIDE, TO HOLD 4 STANDARD SLIDES IN MULTIWELL SAMPLE HOLDER



QGSP301XR SAMPLE HOLDER WITH THE QG-MULTI-4SLIDE HOLDER INSTALLED



TITLE	DISH HOLDER AND MULTI SLIDE INFO SHEET	APRVD.		3RD ANGLE	DO NOT SCALE IF IN DOUBT ASK
DRG. No.	DISH AND MULTI SLIDE INFO SHEET 1 OF 1	DRAWN	JC		
MATL.		SCALE	2:1	TOLERANCE UNLESS OTHERWISE STATED	
FINISH		DATE	22.12.22	±0.1mm	
PRIOR Scientific Instruments Ltd, Fulbourn, Cambridge.			BREAK ALL SHARP EDGES		

ECN	REV	CREATED	APP	DATE	DETAILS
	A				