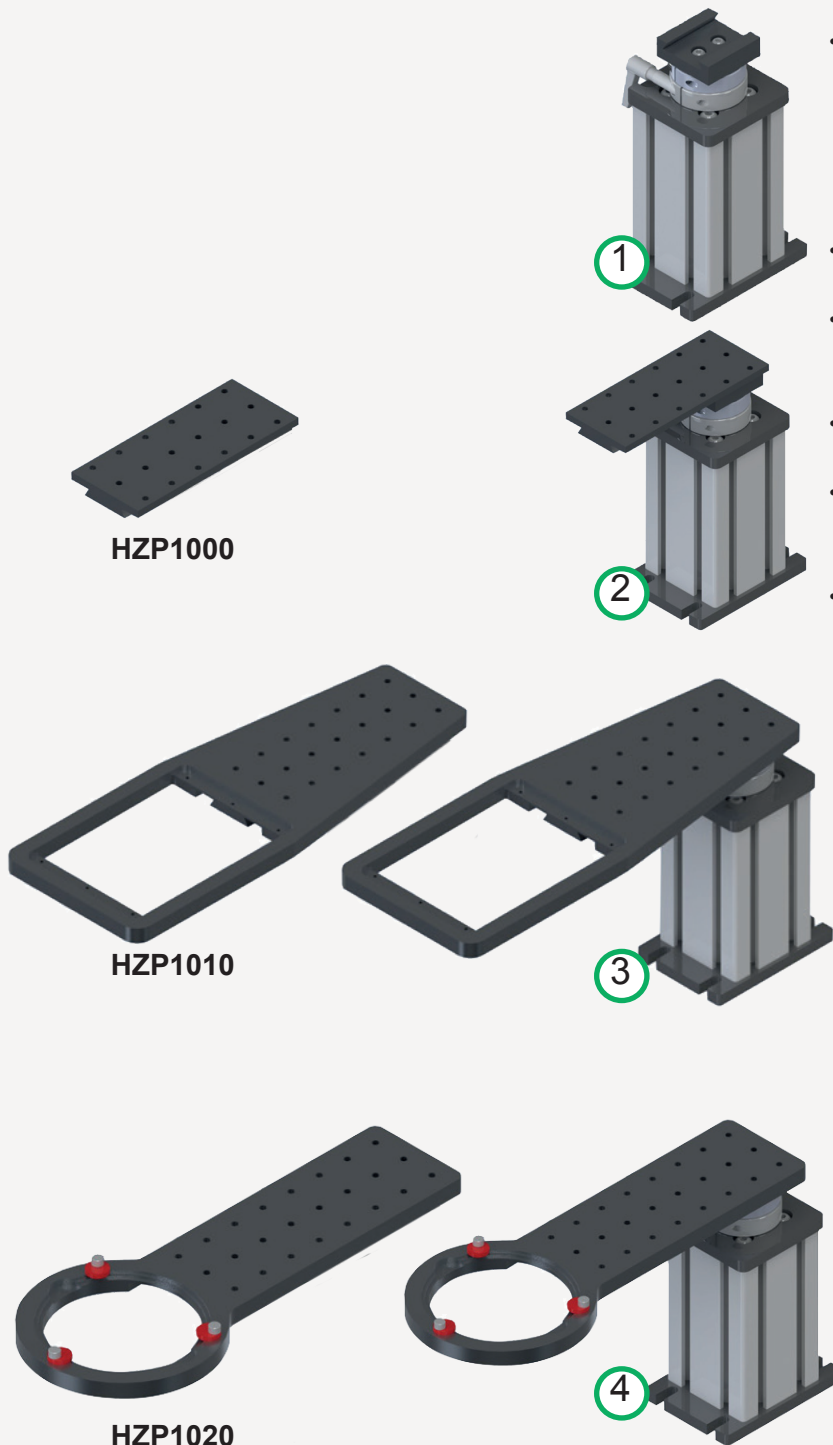




# HZP Mounts

## Adjustable Rigid Post Mounts

Prior Scientific's HZP series adjustable rigid post mounts for physiology applications provide a simple, flexible and stable set up for electrophysiology applications. The micromanipulator platform has 18 6 mm mounting holes. The sample holder platform has 21 6 mm mounting holes and is also compatible with standard Prior Scientific sample holders. The 110 mm diameter circular sample holder platform is suitable for recording chambers and standard microscope manual stage inserts.



- Compatible with Sensapex zero drift, solid state and other common micromanipulators as well as with both inverted and upright microscopes. Mounts are compatible with both  $\frac{1}{4}$  20 and 6mm breadboards
- Four models available for different heights
- 60 degree sliding dovetail for smooth and stable positioning.
- Interchangeable sample holders
- Small footprint, saving valuable laboratory space.
- Height and orientation can be adjusted without the use of tools.

Prior Scientific's HZP series adjustable rigid post mounts are available in four sizes. All are compatible with **HWP1000**, **HWP1010** and **HWP1020**.

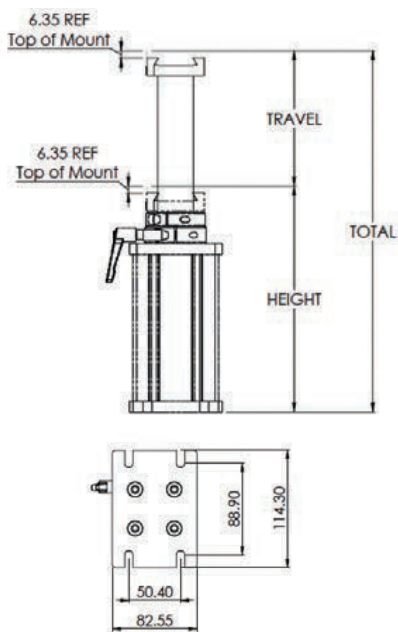
- 1) HWP 200 post mount
- 2) HWP 200 post mount with HWP 1000 (manipulator holder)
- 3) HWP 200 post mount with HWP 1010 (standard holder)
- 4) HWP 200 post mount with HWP 1020 (circular holder)

## HZP Mounts

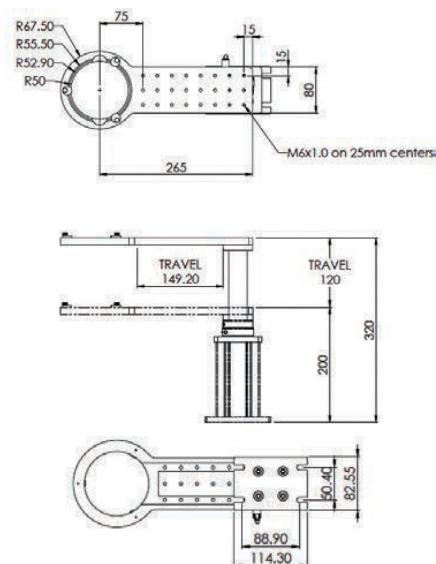
Adjustable Rigid Post Mounts

### Dimensions for HZP 200

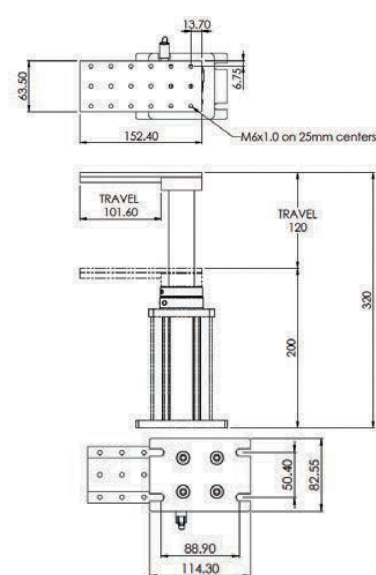
HZP 200



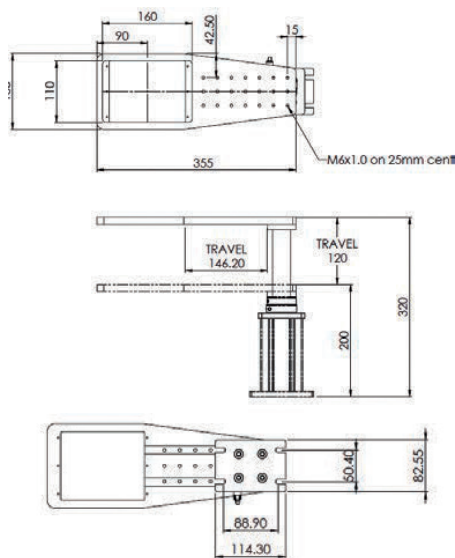
HZP200 with HZP1020



HZP200 with HZP1000



HZP200 with HZP1010



### Products available

Product	Description
HZP150	HZP Mounting stand with 70 mm of travel (150 mm tall)
HZP200	HZP Mounting stand with 120 mm of travel (200 mm tall)
HZP250	HZP Mounting stand with 170 mm of travel (250 mm tall)
HZP300	HZP Mounting stand with 220 mm of travel (300 mm tall)
HZP1000	Manipulator holder (18 6 mm holes)
HZP1010	Standard holder (21 6 mm holes, compatible with Prior sample holders)
HZP1020	Circular Holder (24 6 mm holes, for recording chambers and standard microscope manual stage inserts)



Prior Scientific Ltd

3-4 Fielding Industrial Estate • Wilbraham Road • Fulbourn • Cambridge • CB21 5ET • UK  
 t: +44 (0)1223 881711 • e: uksales@prior.com • www.prior-scientific.co.uk



FM 61600



Prior Scientific Inc

80 Reservoir Park Drive • Rockland • MA. 02370 • U.S.A.  
 t: +1 781-878-8442 • e: info@prior.com • www.prior-us.com

Registered Address: Units 3/4 Fielding Industrial Estate • Wilbraham Road • Fulbourn • Cambridge • CB21 5ET • United Kingdom Registered in England 404087