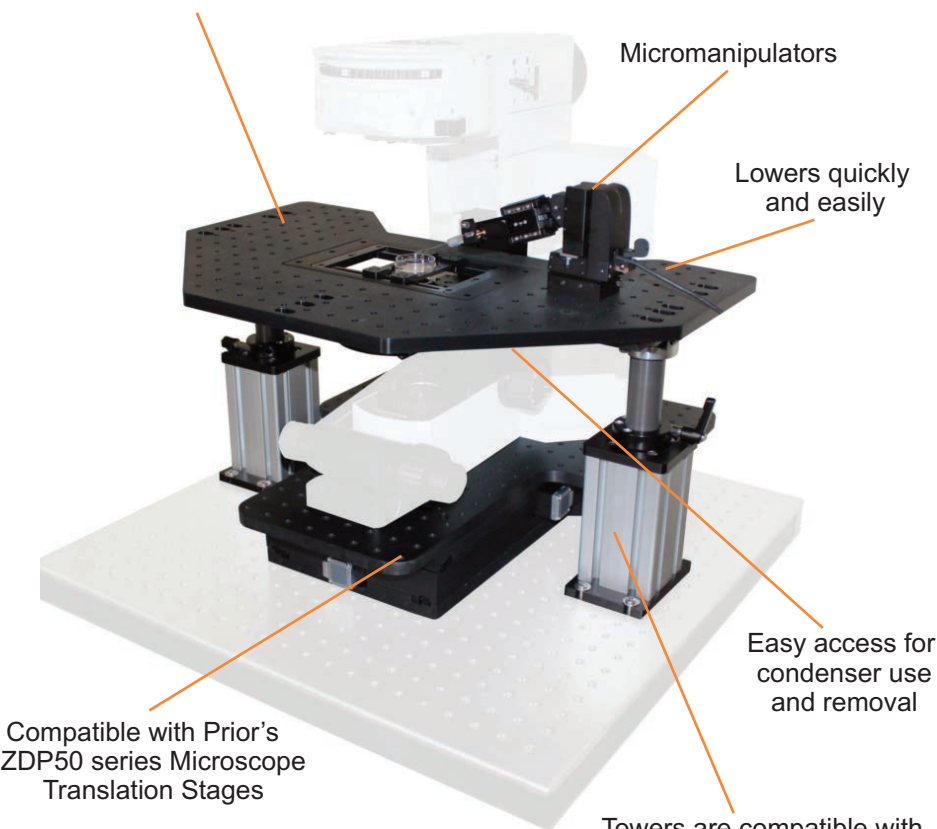


VDeck Stage Platform

Large top plate surface for mounting micromanipulators, 6mm holes on 25mm centers

Micromanipulators

Lowers quickly and easily



Compatible with Prior's ZDP50 series Microscope Translation Stages

Easy access for condenser use and removal

Towers are compatible with 6mm or 1/4-20 vibration isolation tables



Horizontal dovetail slides allows top plate to slide front to back.

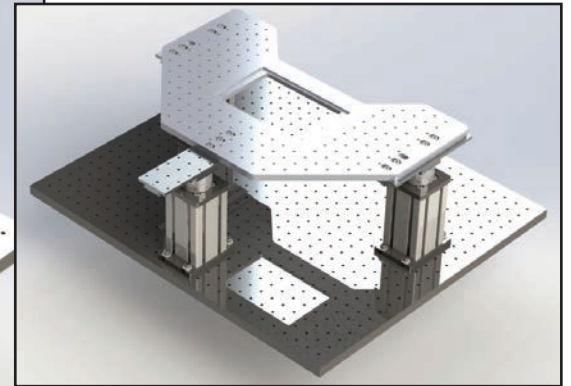
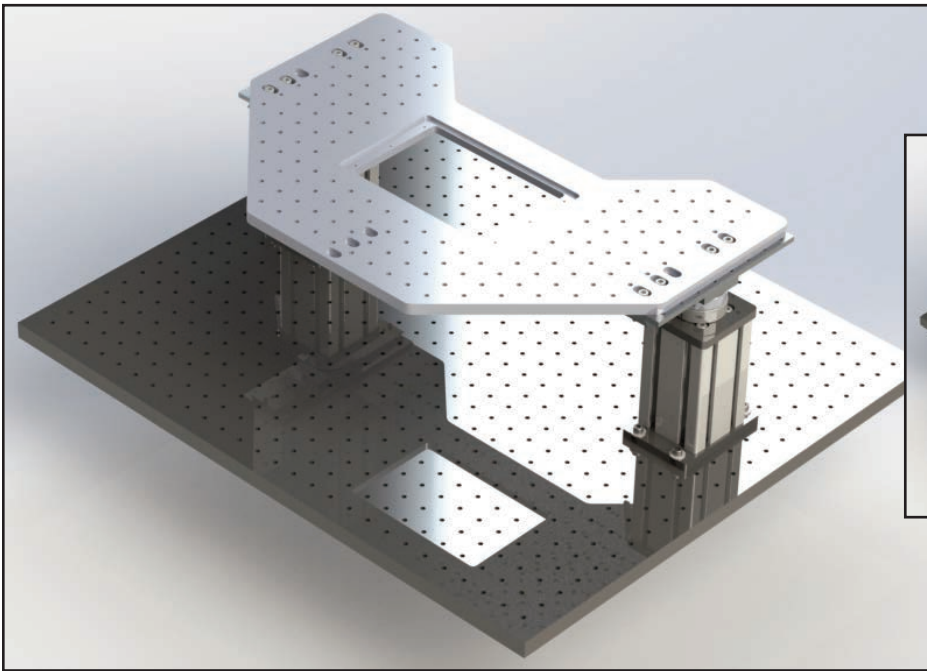
Prior Scientific's VDeck Stage Platform provides users with an ultra stable platform with the flexibility to quickly adjust height for different requirements.

- Fully locking Rigid Post Mounts which make raising and lowering quick and easy.
- Dovetail sliders allow for easy horizontal adjustment to load/prep samples.
- Change between thin sample and whole animal imaging height quickly.
- M6x25 breadboard top surface for mounting micromanipulators and stereotaxic instruments.
- Large sample area for mounting existing heating, cooling, perfusion and incubation chambers or to customize to meet your own requirements.
- Multiple post heights accommodate any application.
- Interactive control center with twin XY digipots for ultra fine positioning.*
- Automatic Programmable Power Settings mode (APPS mode) for adjusting motor power consumption.*

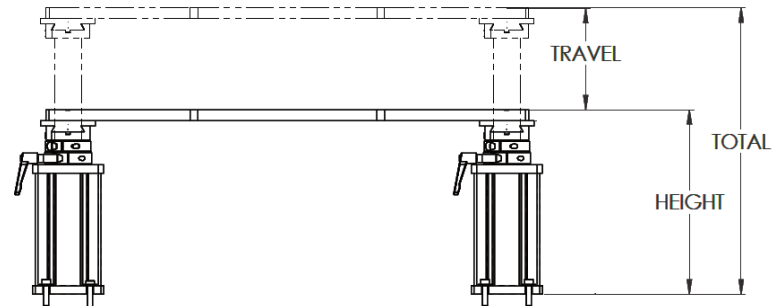
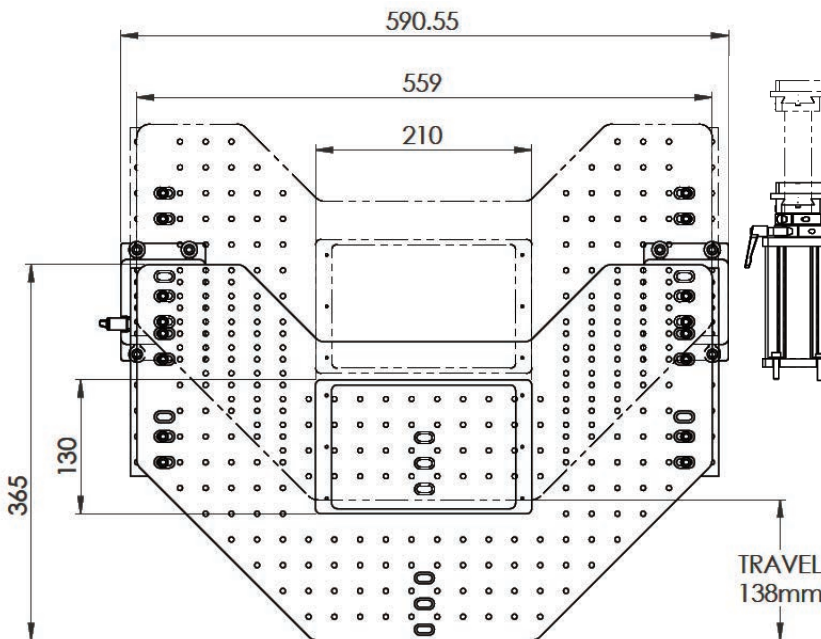
*For ZDP50 series Microscope Translation Stage when used with Prior ProScan™III controller.

Features:

- Provides users with an ultra stable platform with the flexibility to quickly adjust height for different requirements
- Lowers quickly & easily to provide access for loading and unloading samples
- Changing between thin sample and whole animal imaging can be accomplished in seconds
- Compatible with 6mm or 1/4-20 vibration isolation tables
- Multiple post heights accommodate a wide range of focus heights
- Compatible with Prior's ZDP50 series Microscope Translation Stages
- Dovetail sliders allow for precise horizontal adjustment
- Optional ZDP50 series 50mm x 50mm XY microscope translation stage provides remote operation and minimizes the chance of disturbing sensitive experiments



A three post option for dynamic loads is also available.



Ordering Information for Two Rigid Post Mounts VDeck Stage Platforms

Part Number	Height	Travel	Total
HZP2150	162.7mm	70mm	232.7mm
HZP2200	212.7mm	120mm	332.7mm
HZP2250	262.7mm	170mm	432.7mm
HZP2300	312.7mm	220mm	537.7mm



Prior Scientific Ltd

3-4 Fielding Industrial Estate • Wilbraham Road • Fulbourn • Cambridge • CB21 5ET • UK
 t: +44 (0)1223 881711 • e: uksales@prior.com • www.prior-scientific.co.uk



Prior Scientific Inc

80 Reservoir Park Drive • Rockland • MA. 02370 • U.S.A.
 t: +1 781-878-8442 • e: info@prior.com • www.prior-us.com

Registered Address: Units 3/4 Fielding Industrial Estate • Wilbraham Road • Fulbourn • Cambridge • CB21 5ET • United Kingdom Registered in England 404087