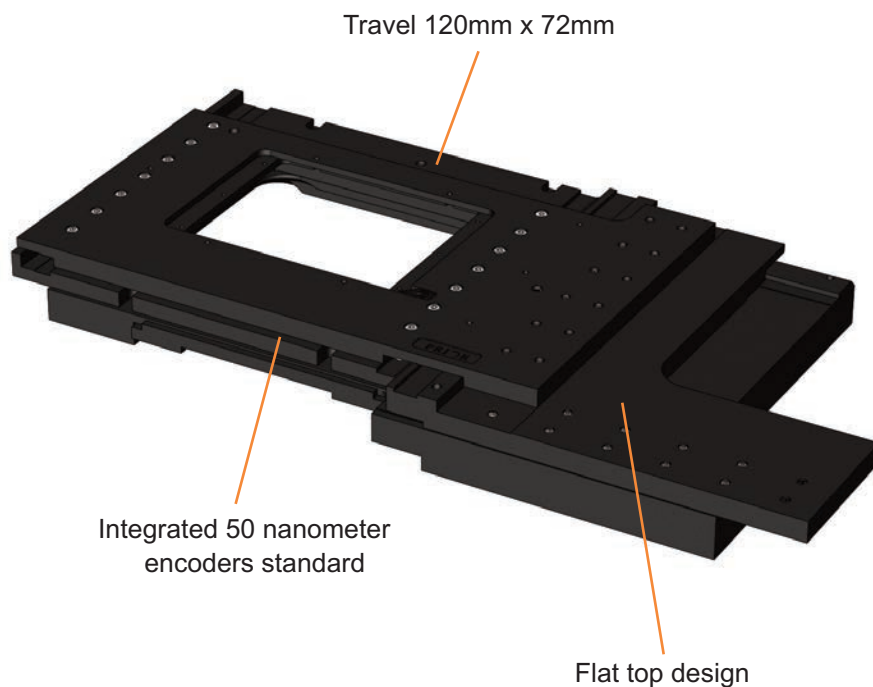


## HLD117DM

### High Precision Stage with Linear Motor Technology for Leica DMI Microscopes



Prior's newest stage technology, the HLD117DM stage with Linear Motor Technology brings a new level to precision in microscope automation.

#### Features of the HLD117DM include:

- Superior repeatability - 0.15µm\*
- Faster scanning speeds up to 300mm/sec
- Low profile
- Ultra quiet operation
- Super smooth movements
- Flat top design
- Integrated 50 nanometer encoders standard
- Compatible with Prior NanoScan Piezo Z stages
- Fixed stage cable eliminates cable drag improving performance
- Integrates/compatible with most imaging software
- Range of standard sample holders

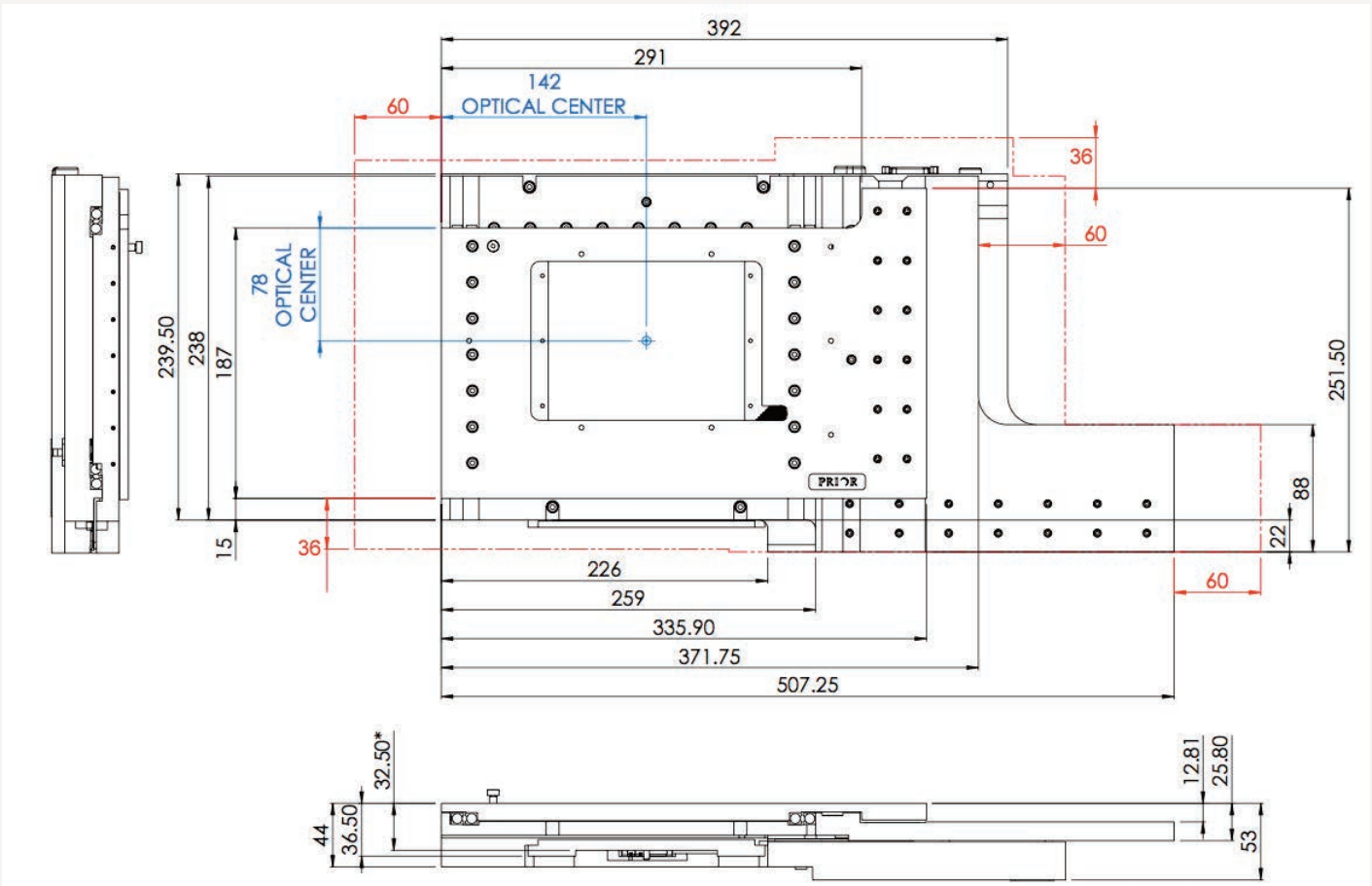
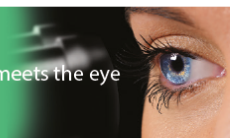
#### General Specifications

- Travel range: 120 mm x 72 mm
- XY repeatability: 0.15µm\*
- Minimum step size (resolution): 0.05µm
- Metric accuracy (per mm of travel): 0.045µm\*\*
- Minimum velocity: 1 micron/second
- Maximum velocity: 300 mm/second
- Squareness: 20 arc/second\*\*

- Motors: high precision linear DC servo
- Linear slides: precision 3mm crossed roller way
- Limit switches: X and Y standard
- Stage profile: approximately 32.5 mm
- Weight: approximately 7 kg
- Maximum load capacity: 6 kg

\*Mean value

\*\*Based on performance with IST enabled and measured over full travel of the stage.



## HLD117DM Stage With Linear Stage Technology Ordering Information

Part Number	Description
DMLDXY	ProScan linear motor XY stage kit including ProScan III LD controller, HLD117DM linear stage, PS3J100 joystick and H473XR universal specimen holder for slides/petri dishes
HLD31XYZ	ProScan III LD linear motor controller
HLD117DM	Prior linear motor stage for Leica DMI microscope
PS3J100	ProScan III Joystick



**Prior Scientific Ltd**

3-4 Fielding Industrial Estate • Wilbraham Road • Fulbourn • Cambridge • CB21 5ET • UK

t: +44 (0)1223 881711 • e: [uksales@prior.com](mailto:uksales@prior.com) • [www.prior-scientific.co.uk](http://www.prior-scientific.co.uk)



FM 61600



**Prior Scientific Inc**

80 Reservoir Park Drive • Rockland • MA. 02370 • U.S.A.

t: +1 781-878-8442 • e: [info@prior.com](mailto:info@prior.com) • [www.prior-us.com](http://www.prior-us.com)

Registered Address: Units 3/4 Fielding Industrial Estate • Wilbraham Road • Fulbourn • Cambridge • CB21 5ET • United Kingdom Registered in England 404087