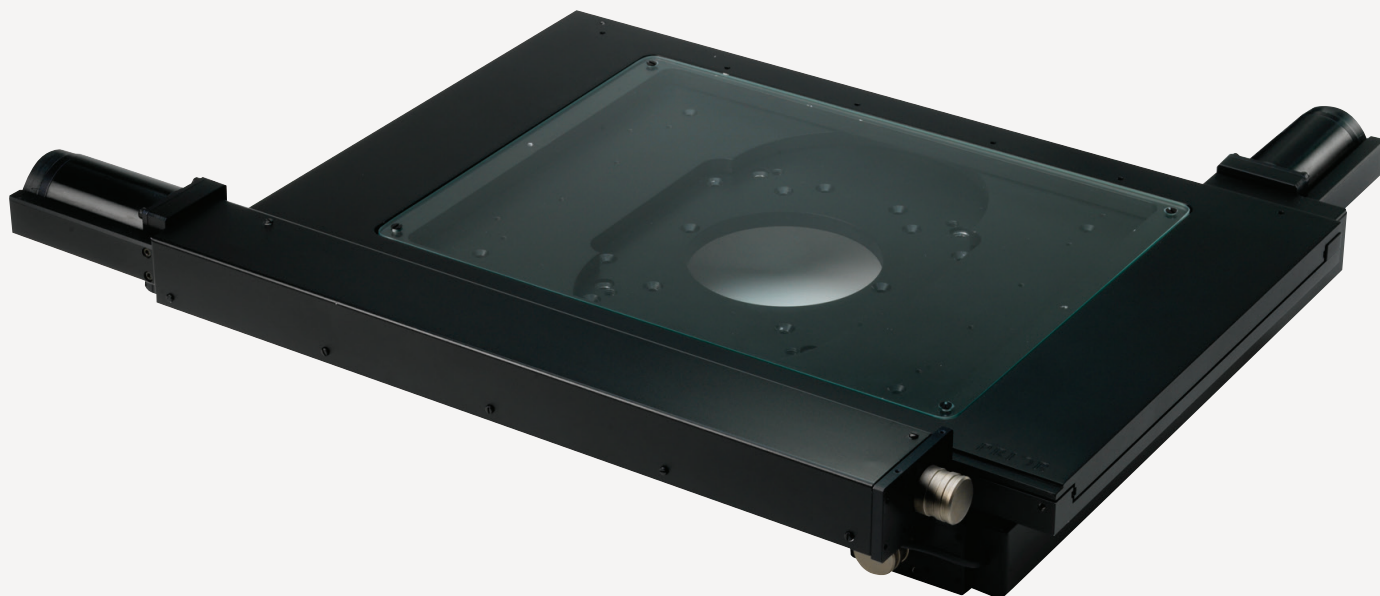


## H116

### Large format motorised stepper stage



The H116 motorised stepper stage from Prior is one of a full range of motorised stepper stages from Prior, adaptable to virtually any microscope or optical system. A range of sample holders are available and stage inserts can be customised for virtually any application, meaning that the H116 stage combines high precision with versatility.

The H116 is especially well-suited for applications that typically involve large specimens, such as scanning semi-conductor wafers, photo masks, flat panel displays and printed circuit boards. 200 mm wafers can easily be accommodated by this sample holder.

Prior stages are precisely engineered and ideal for a wide variety of demanding applications. They are compatible both with Prior motor controllers such as the ProScan® III, and can easily be incorporated into OEM applications. The Prior controller can be accessed via TTL, USB or RS-232 serial port, or with a joystick.

#### Products available

Part Number	Description
H116/2	Stage with 2 mm pitch screws
HE16/2	As above, with linear encoders

Please specify microscope type when ordering

#### H116 features

- Travel 255 x 216 mm
- Optional encoders allow accurate positioning of the stage.
- Fine resolution and repeatability combined with a large scanning area.
- X and Y limit switches
- 2 or 5 mm pitch zero backlash recirculating ball screws

## H116

Large format motorised stepper stage

### Specifications

Stage	H116/2	HE16/2
(Average) Uni Directional Repeatability (µm)	± 0.7	± 0.7
Minimum Step Size (µm)	0.04	0.1
Suggested Speed (mm/s)	40	40
Max travel range (mm)	255 x 216	255 x 216
Ball Screw Pitch (mm)	2	2
SPR*	200	200
Encoders (µm)	No	0.1
Load capacity (kg)	25	25
Weight (kg)	7.7	7.7
Flatness (µm)	5	5

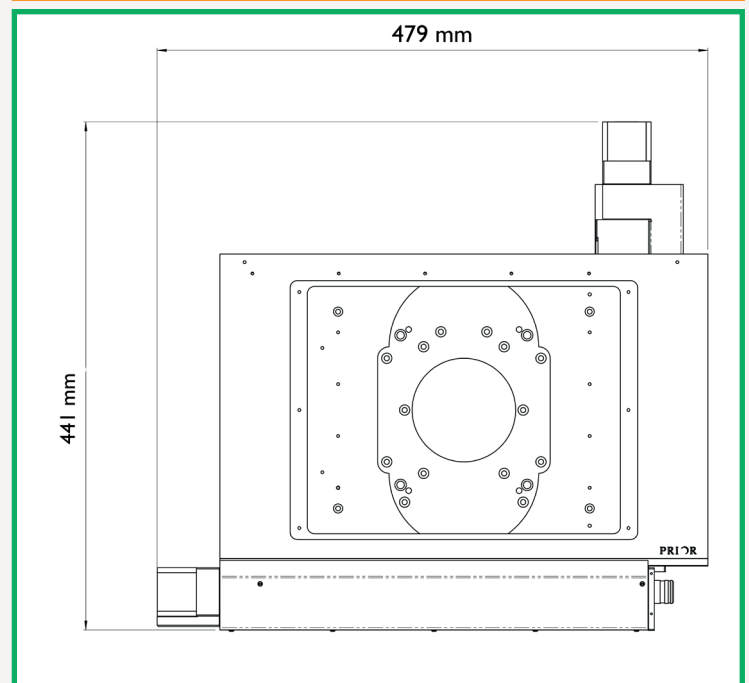
\*Steps per Revolution of Motor

Specifications are valid only when used with a ProScan II or higher controller. Specifications are obtained via the Prior method of testing and analysis with backlash enabled, based on performance with IST enabled and measured over full range of travel with IST enabled.

### Sample Holders

Part Number	Description
H225	Glass plate
H232	Solid Aluminium Plate
H149N	Chuck, wafer, spring loaded for 200 mm notched wafers
HWC20S	Chuck, wafer, rotatable with steps for 150 mm and 200 mm wafers
HWC20V	Chuck, wafer, rotatable, with vacuum for 200 mm wafers
HWC116	Chuck, wafer pod, vacuum

### Dimensions



**Prior Scientific Ltd**

3-4 Fielding Industrial Estate • Wilbraham Road • Fulbourn • Cambridge • CB21 5ET • UK  
 t: +44 (0)1223 881711 • e: uksales@prior.com • www.prior-scientific.co.uk



PM 61500



**Prior Scientific Inc**

80 Reservoir Park Drive • Rockland • MA. 02370 • U.S.A.  
 t: +1 781-878-8442 • e: info@prior.com • www.prior-us.com

Registered Address: Units 3/4 Fielding Industrial Estate • Wilbraham Road • Fulbourn • Cambridge • CB21 5ET • United Kingdom Registered in England 404087