

PF212 – PF850/PF850M mounting on to Nikon Ti2 Microscope

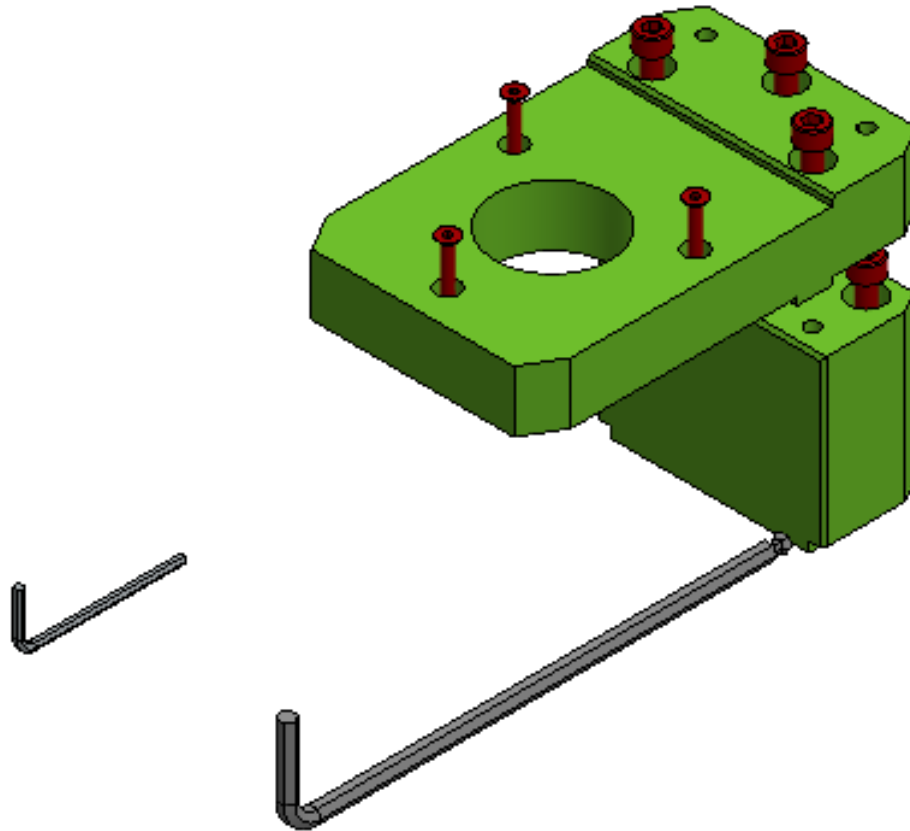


Table of Contents

Section 1: Health and Safety Information	2
Section 2: Preparing for installation	2
Section 3: Installing PF212 mounting kit and the PF850/PF850M unit onto the microscope	3
Section 4: Reassembling the Microscope	5

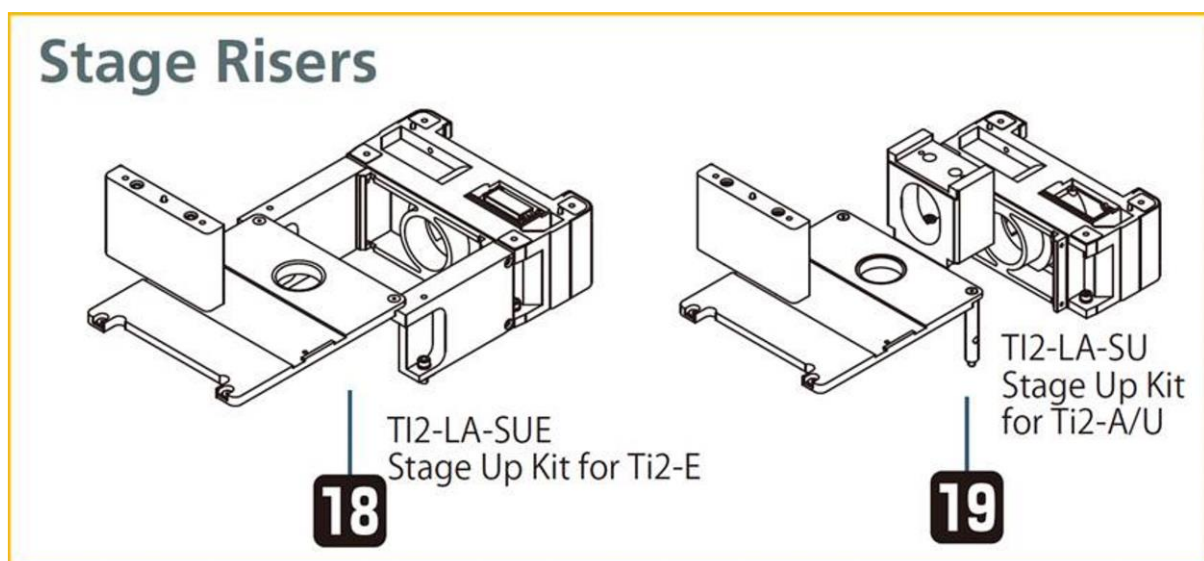
The aim of this document is to provide a step-by step guide for the installation of PF850/PF850M and peripheral components onto an Nikon Ti2 microscope.

Section 1: Health and Safety Information

Please refer to the microscope Health & Safety information when disassembling the microscope. Please refer to PF850 manual on Health & Safety information when installing the PF850/PF850M unit onto the microscope.

Section 2: Preparing for installation

1. Remove the stage sample holder.
2. Remove all objectives from the microscope nosepiece, making a note of the positions from which they have been removed.
3. Unplug all the cables from the microscope stage. Prior scientific stages have a single 25 pin D connector connection.
4. Remove the microscope stage (follow the instructions to install and uninstall the stage from Nikon Ti2 microscope). Once removed place the stage and the screws in a safe place.
5. Remove the microscope nosepiece. Place the nosepiece and the screws in a safe location.
6. Consult Nikon to provide the Illumination spacer and stage risers when preparing to install the PF850/PF850M units.



7. The microscope is now prepared for installation of the Purefocus 850 installation.

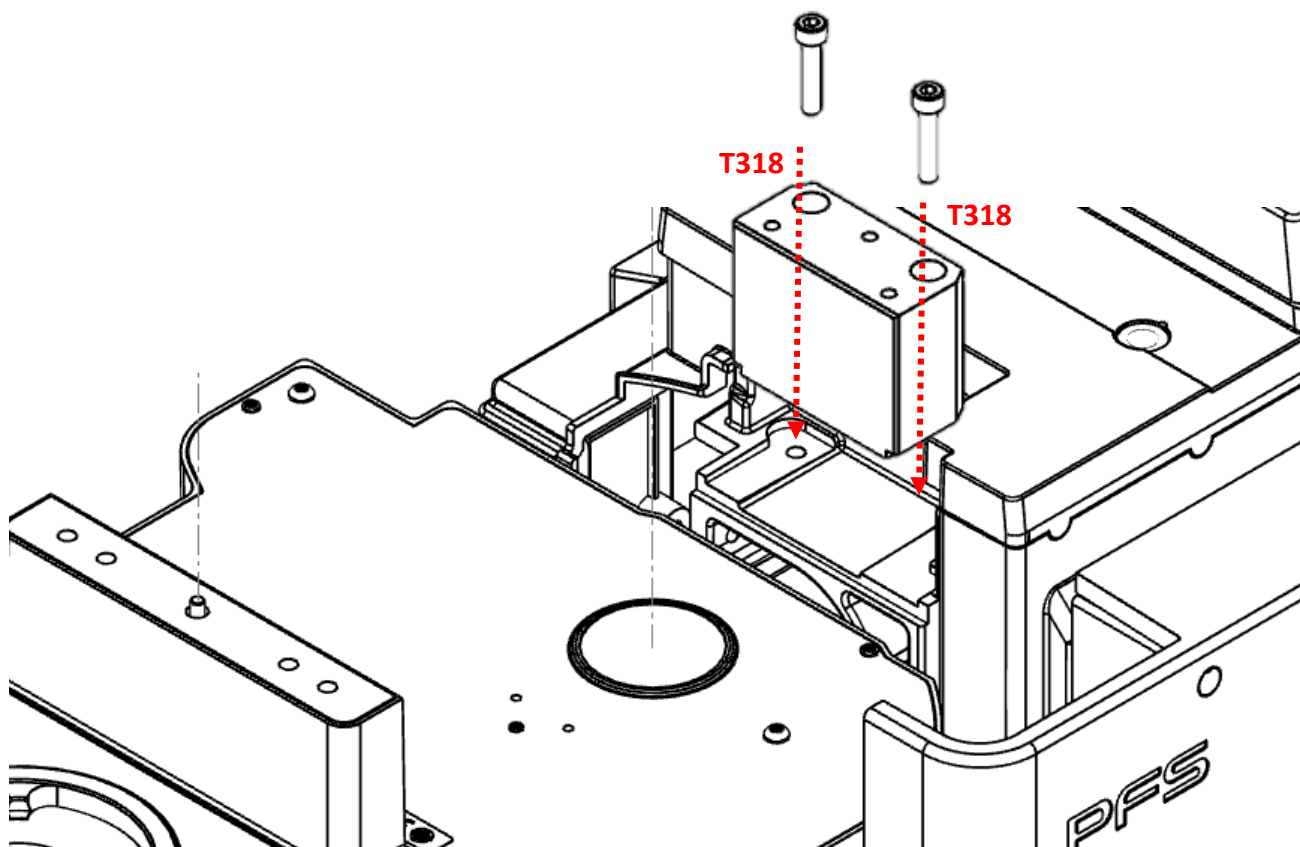
Section 3: Installing PF212 mounting kit and the PF850/PF850M unit onto the microscope

1. The PF212 mounting kit allows the PF850 to fit into the optical path and contains the following components and their associated screws.

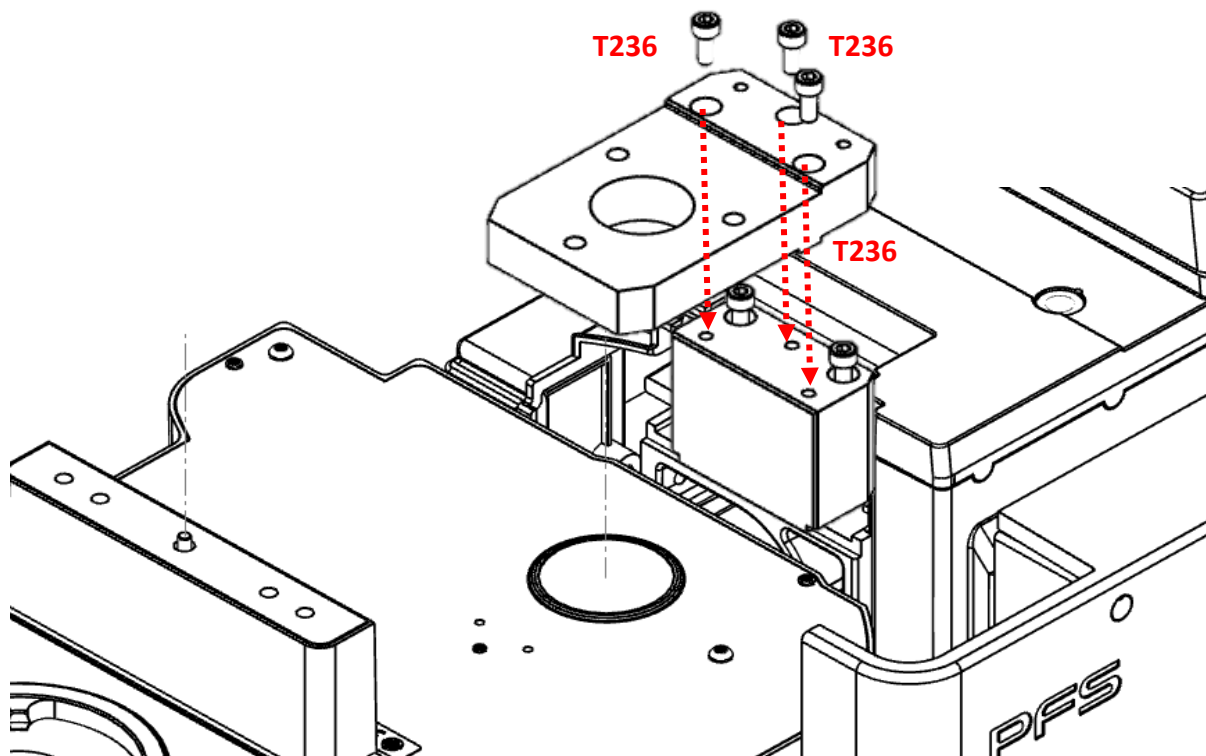
Part number	Description
PF560	Nosepiece spacer Nikon Ti2
PF561	Purefocus Holding plate Nikon Ti2

Screws	Quantity
T236 – M5 x 12mm	3
T264 – M3 x 16mm	3
T318 – M5 x 25mm	2

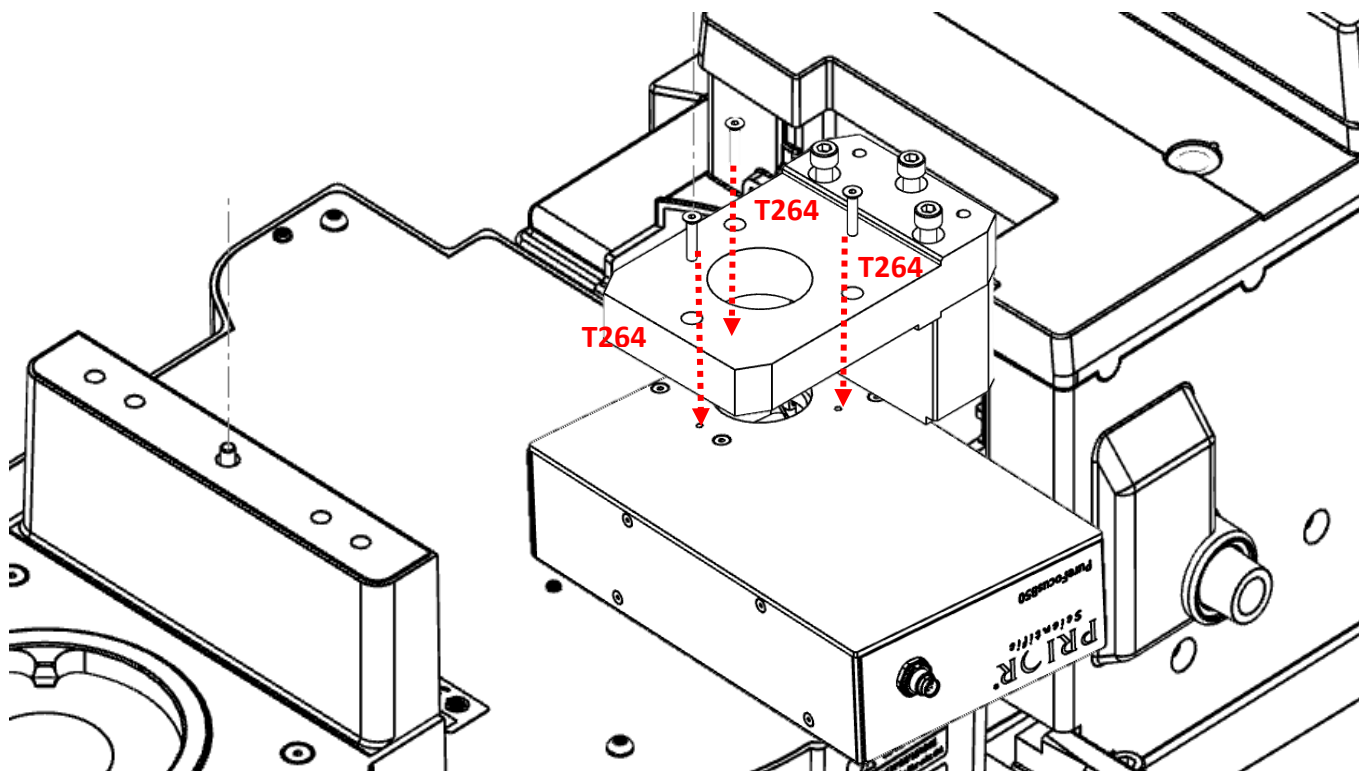
2. Use the screws provided to secure PF560 onto the microscope frame as shown in the pictures below.



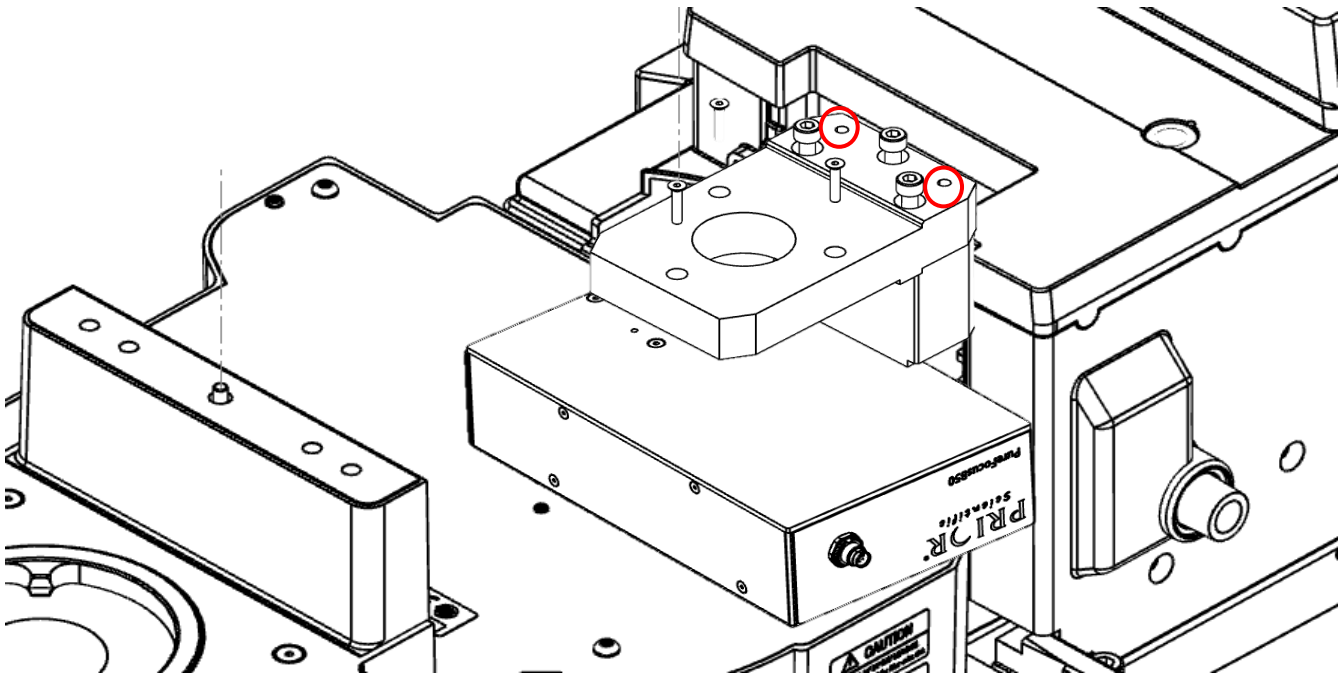
3. Attach the PF561 to PF560 using the screws mentioned in the picture below.



4. Install the PF850/PF850M unit underneath the PF561 bracket using screws mentioned in the picture below.



5. Refit the nosepiece onto the PF560 using the screws provided with the microscope onto the microscope frame (circled in red in the picture below)



Section 4: Reassembling the Microscope

1. Re-fit the stage onto the microscope at the four mounting holes provided.
2. Re-attach the objectives into the correct positions on the nosepiece and fit the sample holder onto the stage.
3. Reconnect all removed cables to the stage.
4. Microscope is ready to use.

