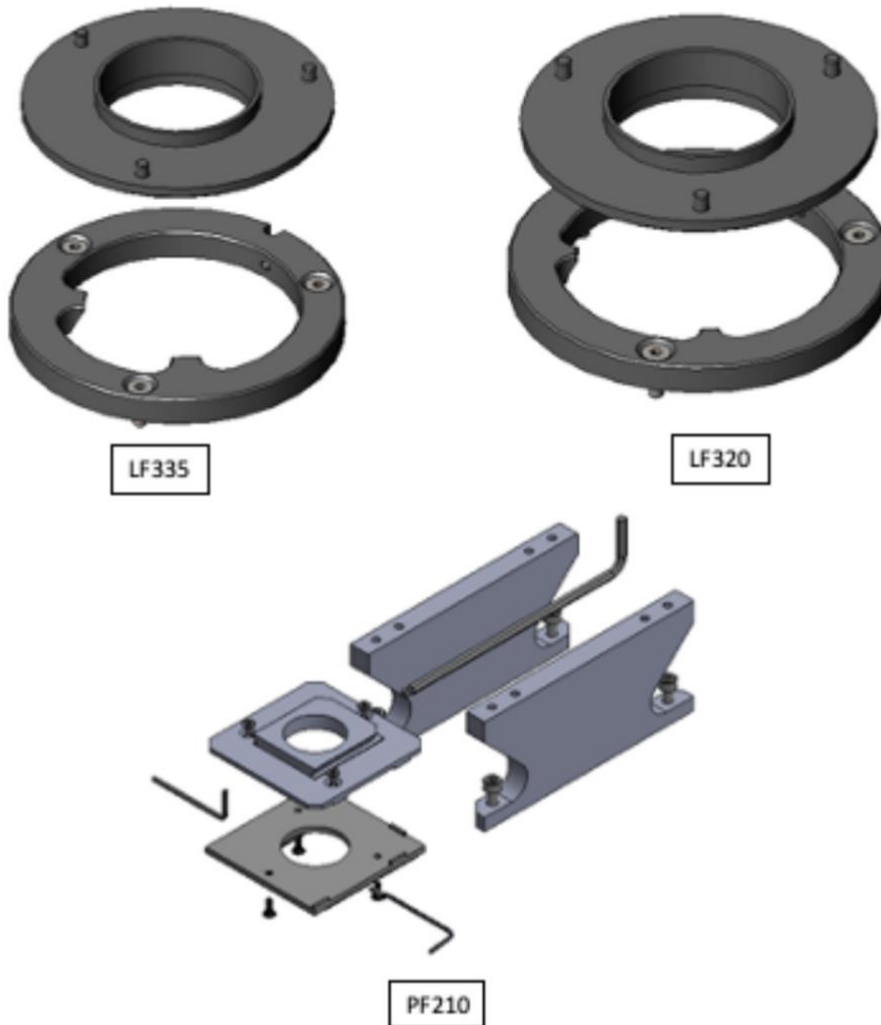


Installing PureFocus 850 (PF850/PF850M) on Openstand/Olympus/Nikon Upright microscopes



Contents

| | |
|--|----|
| Introduction | 2 |
| Health and Safety Information | 2 |
| Section 1: Preparing for installation on Openstand microscope | 3 |
| Installing the PF850/PF850M head using the LF335 flange on objective arm | 3 |
| Attaching the PF850 head on the Binocular arm on the Openstand | 4 |
| Section 2: Preparing to install PF850/PF850M on Upright BX microscopes | 5 |
| Installing the PF850/PF850M using the LF335 flanges | 6 |
| Section 3: Preparing to install PF850/PF850M on Upright BX41/43/51/53/63 microscopes with fluorescence turret | 6 |
| Installing the PF850/PF850M head using the PF210 flanges | 7 |
| Section 4: Preparing installation with Nikon Upright microscopes (Ci-U, 80i, 90i, 50i, Ni-U) | 10 |
| Installing the PF850/PF850M using the LF320 flanges | 10 |
| Section 5: Installing the Purefocus 850 controller | 10 |

Introduction

The aim of this document is to provide a step-by step guide for installing PF850 head on the Openstand and Olympus and Nikon Upright microscopes. Installation kit required for Openstand/Olympus BX, Olympus BX with turret and Nikon upright microscopes are LF335, PF210, LF320 respectively.

Health and Safety Information

Please refer to the microscope Health & Safety information when disassembling the microscope. Please refer to PF850 manual on Health & Safety information when installing the PF850/PF850M unit onto the microscope.

Section 1: Preparing for installation on Openstand microscope

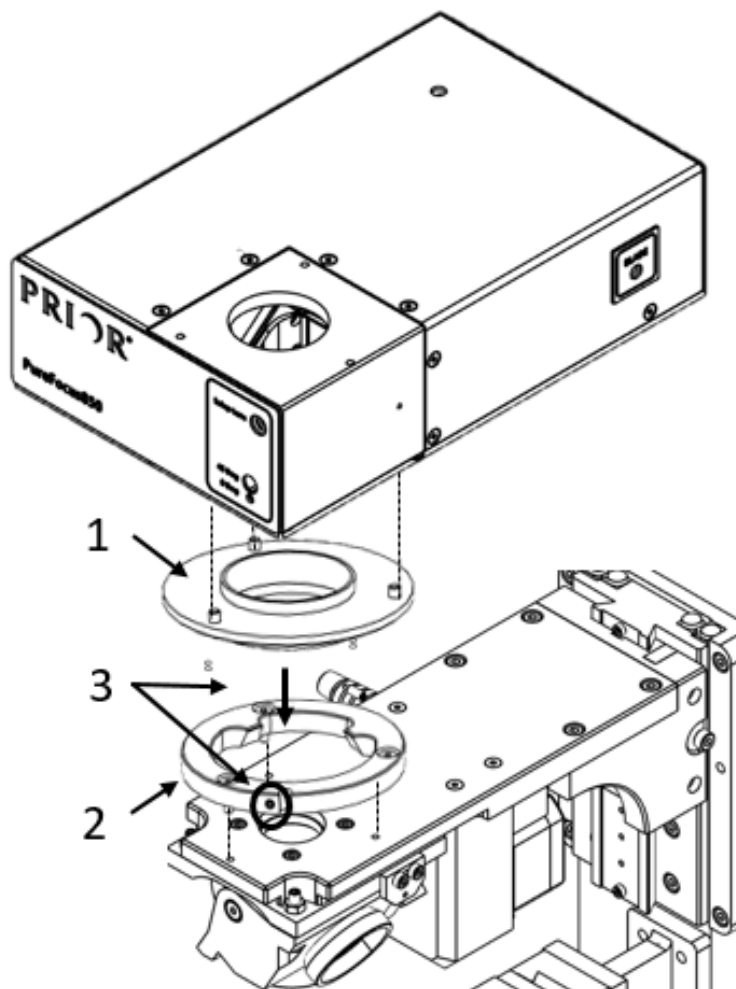
Please ensure the focus block is moved down so there is enough space between the binocular arm and the objective arm. The Openstand is now prepared for installation of PF850/PF850M head.

There are 2 ways to mount the PF850 head on the Openstand. Attaching the PF850 head on the objective arm or the binocular arm.

Installing the PF850/PF850M head using the LF335 flange on objective arm

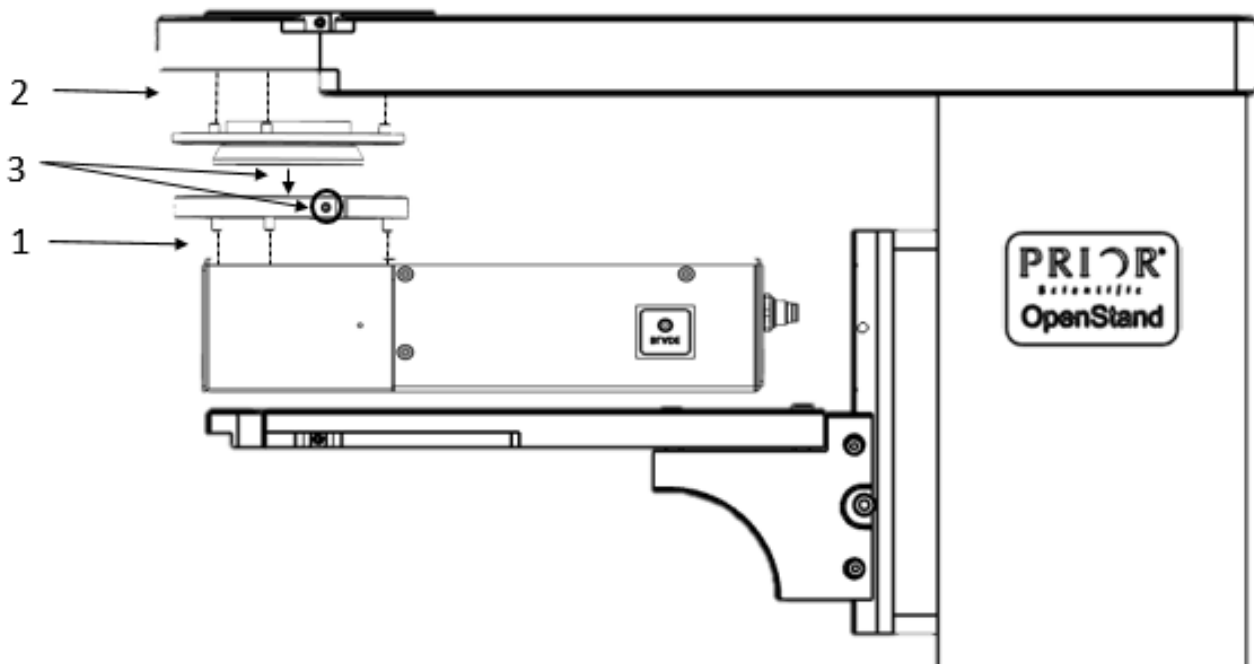
| Part description | Quantity |
|--|-----------|
| LF335 flange – LF522 (upper dovetail flange) and LF523 (lower dovetail flange) | 2 flanges |
| T123 - M3 X 10mm screw | 3 |
| T173 - M3 X 6mm screw | 3 |
| 1.5mm Allen key | 1 |
| T91 – M3 x 6mm screw | 1 |

1. Attach the lower dovetail onto the bottom of the PF850/PF850M using the 3 x T173 screws (as shown on the top)
2. Attach the LF522 (Upper dovetail flange) on the objective arm using the 3 x T123 screws (as shown at the bottom)
3. Secure the PF850 by tightening the T91 screw on the upper dovetail (as circled on the picture)



Attaching the PF850 head on the Binocular arm on the Openstand

1. Attach the lower dovetail under the binocular arm using the 3 x T173 screws.
2. Attach the LF522 (Upper dovetail flange) on the PF850/PF850M head using the 3 x T123 screws.
3. Secure the PF850 head by tightening the T91 screw on the upper dovetail (as circled on the picture)



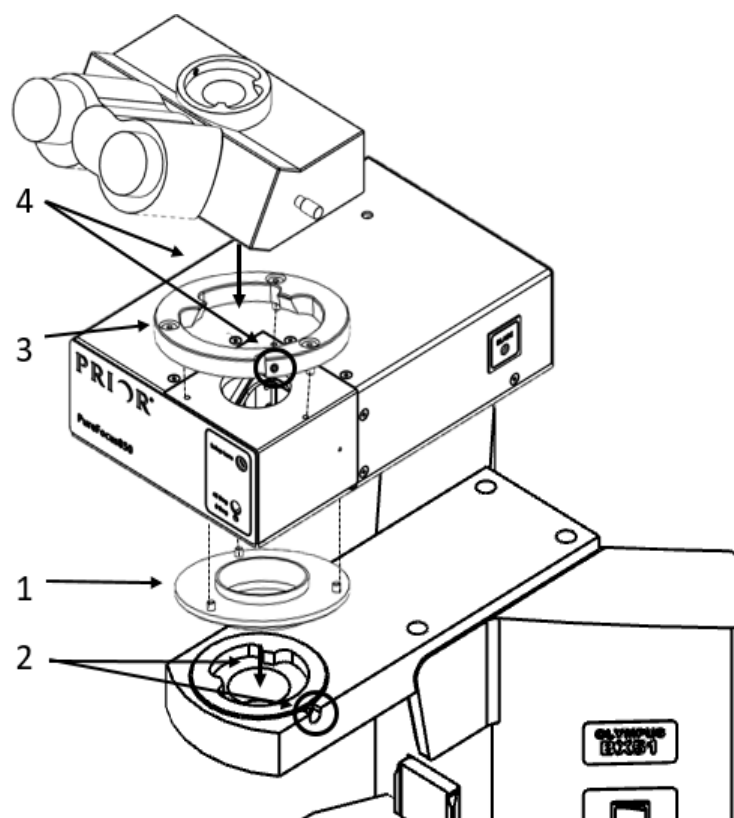
Section 2: Preparing to install PF850/PF850M on Upright BX microscopes

Please remove the eyepiece from the microscope by unbolting the grub screw on the objective arm dovetail and place it in a safe area.

Installing the PF850/PF850M using the LF335 flanges

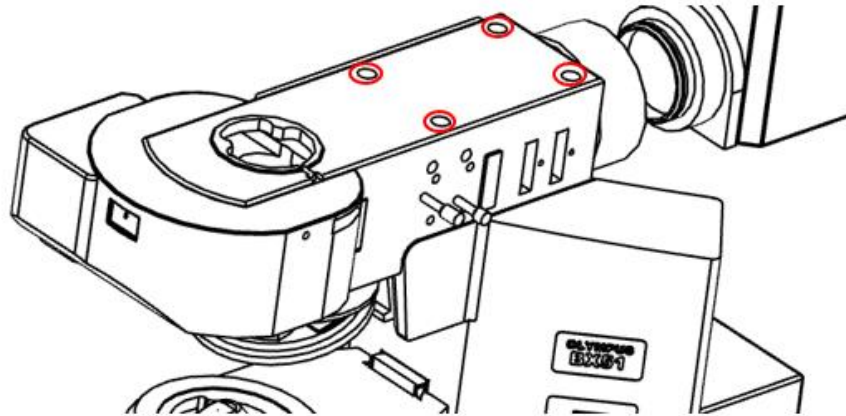
| Part description | Quantity |
|--|-----------|
| LF335 flange – LF522 (upper dovetail flange) and LF523 (lower dovetail flange) | 2 flanges |
| T123 - M3 X 10mm screw | 3 |
| T173 - M3 X 6mm screw | 3 |
| 1.5mm Allen key | 1 |
| T91 – M3 x 6mm screw | 1 |

1. Attach the lower dovetail (LF523) onto the bottom of the PF850/PF850M head using the 3 x T173 screws.
2. Attach the PF850 to the microscope objective arm dovetail and secure it tightly using grub screw provided on the microscope (as circled in the diagram).
3. Attach the Upper dovetail flange (LF522) on top of the PF850 /PF850M head using the 3 x T123 screws (as shown at the top).
4. Secure the eyepiece by tightening the T91 screw on the upper dovetail (as circled on the picture).



Section 3: Preparing to install PF850/PF850M on Upright BX41/43/51/53/63 microscopes with fluorescence turret.

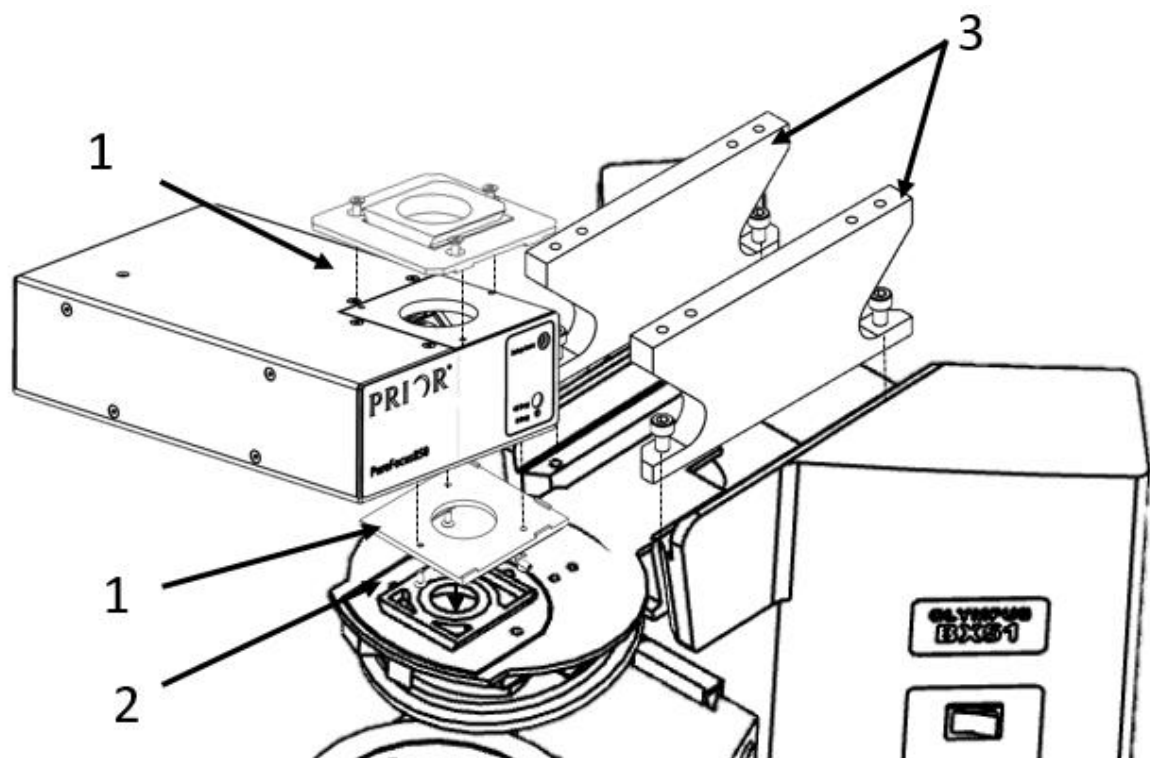
Please remove the eyepiece and the fluorescence turret from the microscope by unbolting the four screws (as circled in the picture below). Please keep the screws, turret and eyepiece at a safe area.



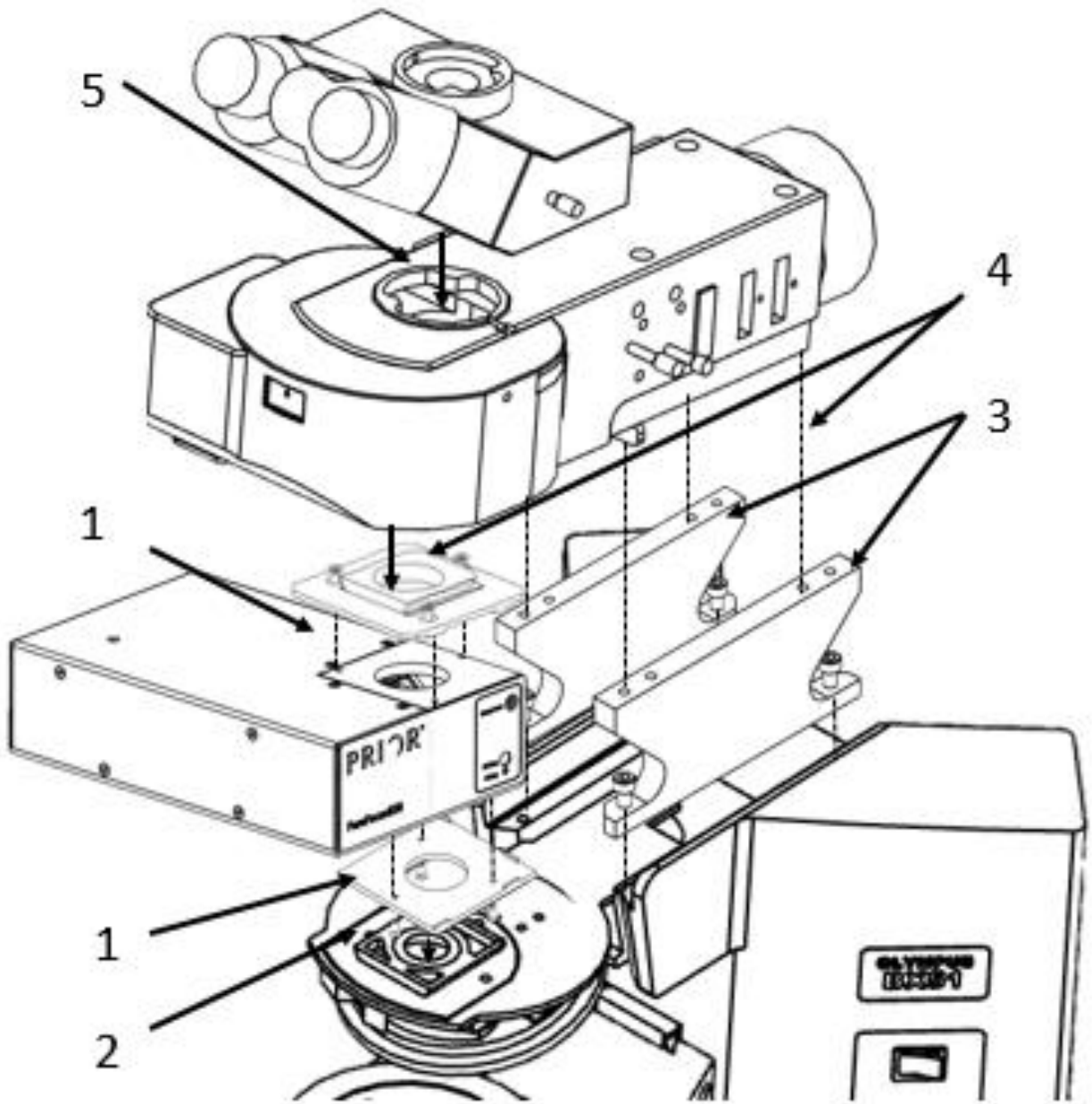
Installing the PF850/PF850M head using the PF210 flanges

| Part description | Quantity |
|---|-----------|
| PF210 flange – PF551 (upper dovetail flange), PF552 (lower dovetail flange) and PF553 (spacers) | 2 flanges |
| T235 - M3 X 8mm screw | 3 |
| T237 – M5 X 16mm screw | 4 |
| T173 – M3 x 6mm screw | 3 |
| 2mm Allen key | 1 |
| 4mm Allen key | 1 |
| 1.5 mm Allen key | |
| T91 – M3 x 10mm screw | 1 |

1. Attach the lower dovetail flange and upper dovetail flange at the bottom of the PF850 Head and top of the PF850 head respectively with 3 x T235 screws and 3 x T173 screws using 2mm Allen key respectively.
2. Slide the lower dovetail onto the objective dovetail on the microscope and secure it with fastening the T91 screw on the lower dovetail.
3. Attach the two spacers on either side of the microscope body with 4 x T237 screws using 4mm Allen key.



4. Slide the fluorescence turret on the upper dovetail flange (PF551) and fasten it using the grub screw on the fluorescence turret. Fasten the screws on the turret onto the spacers.
5. Finally, attach the eyepiece.



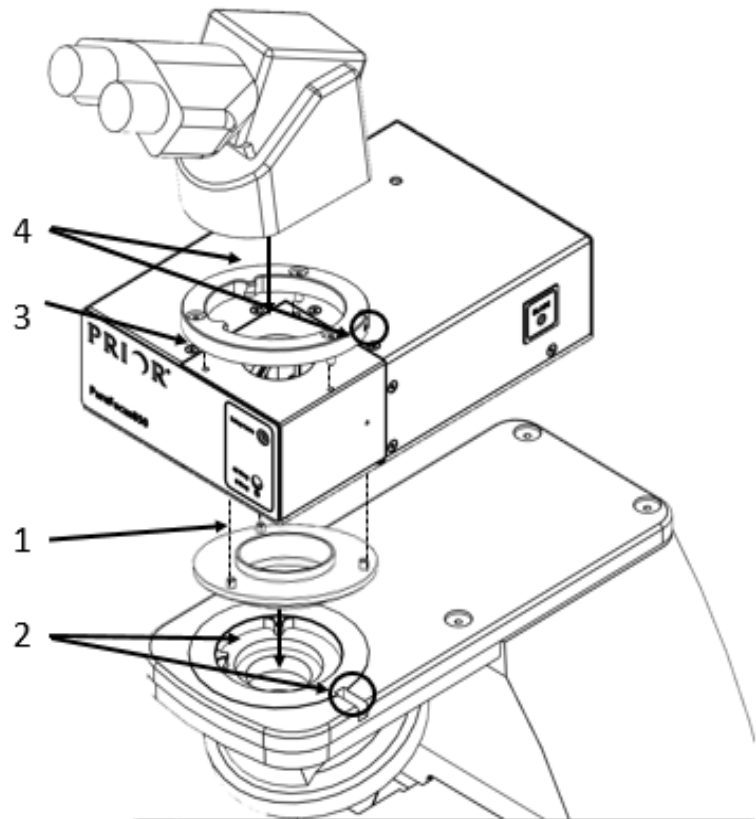
Section 4: Preparing installation with Nikon Upright microscopes (Ci-U, 80i, 90i, 50i, Ni-U)

Please remove the eyepiece from the microscope by unbolting the grub screw on the objective arm dovetail and place it in a safe area.

Installing the PF850/PF850M using the LF320 flanges

| Part description | Quantity |
|--|----------|
| LF320 flange – LF526 (upper dovetail flange) and LF527 (lower dovetail flange) | 2 |
| T123 - M3 X 10mm screw | 3 |
| T173 - M3 X 6mm screw | 3 |
| 1.5mm Allen key | 1 |
| T91 – M3 x 6mm screw | 1 |

1. Attach the lower dovetail (LF527) onto the bottom of the PF850/PF850M using the 3 x T173 screws (as shown on the bottom).
2. Attach the PF850 to the microscope objective arm dovetail and secure it tightly using grub screw provided on the microscope. (as circled in the diagram)
3. Attach the LF526 (Upper dovetail flange) on top of the PF850 using the 3 x T123 screws (as shown at the top)
4. Secure the eyepiece by tightening the T91 screw on the upper dovetail (as circled on the picture)



Section 5: Installing the Purefocus 850 controller

To connect the Purefocus 850 controller please refer to PF850 manual, which is available to download from <https://www.prior.com/customer-support/customer-downloads>. The full optical alignment and setup procedure can be found in the PF850 manual.