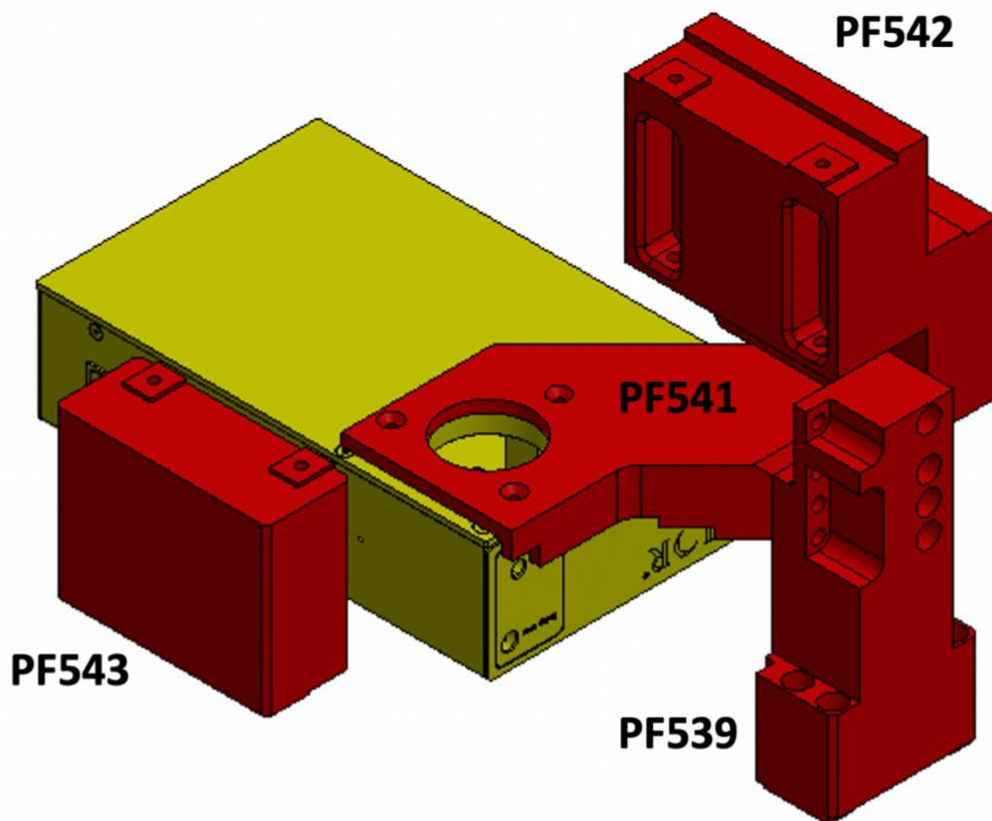


PF202 - PF850 mounting on Olympus IX73 double deck



Contents

Section 1: Health & Safety Information	2
Section 2: Preparing for installation	2
Section 3: Installing PF202 mounting kit and the PF850 unit onto the microscope.	3
Section 4: Reassembling the Microscope	6

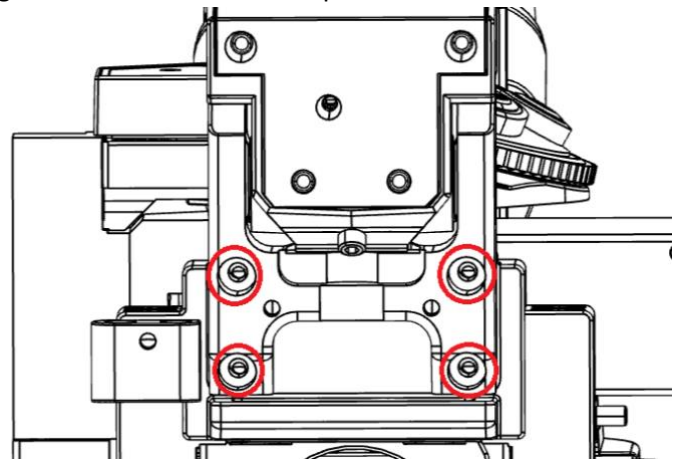
The aim of this document is to provide a step-by step guide for the installation of PF850 and peripheral components onto an Olympus IX73 double deck microscope.

Section 1: Health & Safety Information

Please refer to the microscope Health & Safety information when disassembling the microscope. Please refer to PF850 manual on Health & Safety information when installing the PF850/PF850M unit onto the microscope.

Section 2: Preparing for installation

1. Remove the stage sample holder.
2. Remove all objectives from the microscope nosepiece, making a note of the positions from which they have been removed.
3. Unplug all the cables from the microscope stage. Olympus stages have two cable connections, one for each stage axis. Prior scientific stages have a single 25 pin D connector connection.
4. Remove the microscope stage (follow the instructions to install and uninstall the stage from IX73 microscope). Once removed place the stage and the screws in a safe place.
5. Remove the brightfield illumination pillar from the microscope. Use hex-key to remove the four screws from the position indicated. Its safer and easier to have help when carrying out this operation. One person holding and steadying the pillar and the other removing the screws. Place the pillar and screws in a safe location.
6. Remove the microscope nosepiece. Place the nosepiece and the screws in a safe location.
7. The microscope is now prepared for installation of the Purefocus 850 installation.



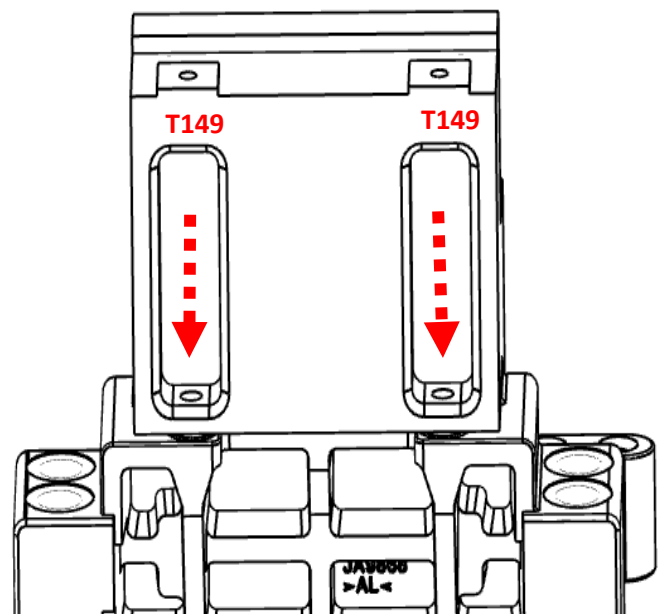
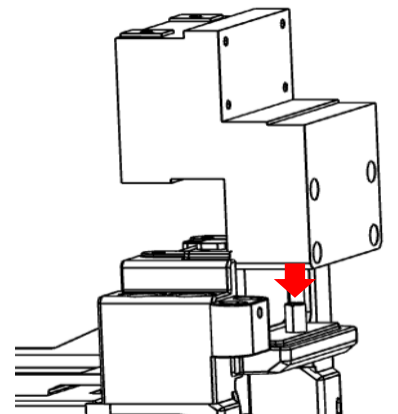
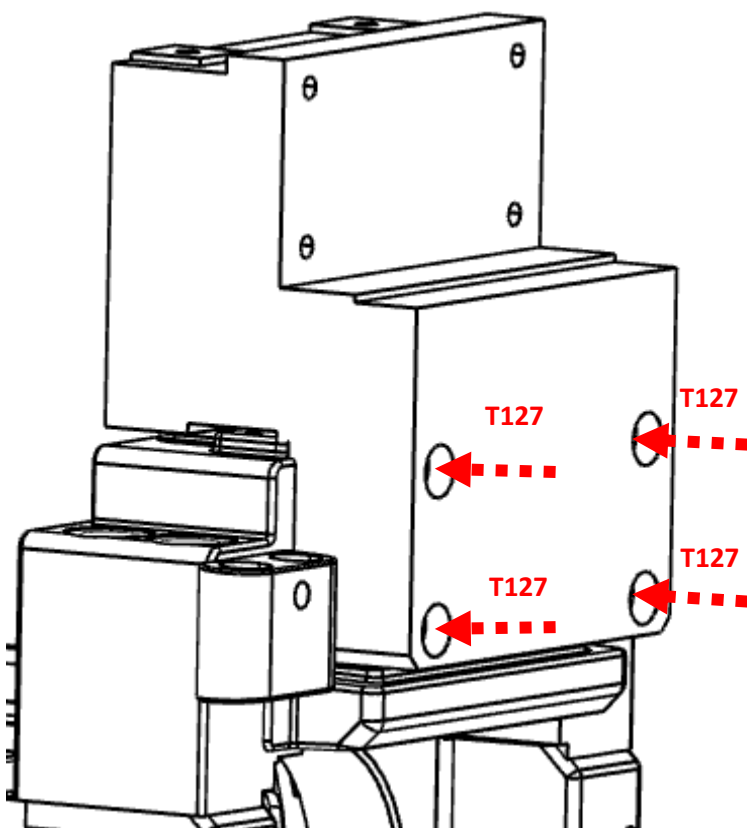
Section 3: Installing PF202 mounting kit and the PF850 unit onto the microscope.

1. The PF202 mounting kit allows the PF850 to fit into the optical path and contains the following components and their associated screws.

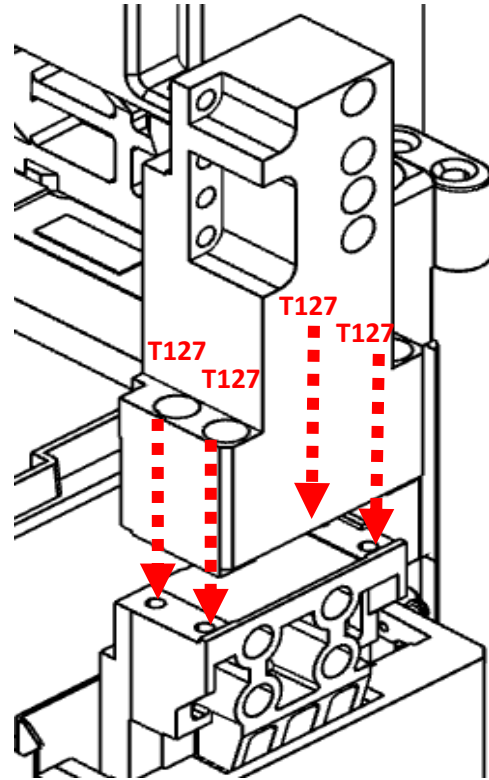
Part number	Description
PF539	IX73 Nosepiece long spacer
PF541	IX73 Purefocus Holder
PF542	IX73 Illumination pillar spacer
PF543	IX73 stage spacer

Screws	Quantity
T127 – M5 x 35mm	8
T137 – M5 x 20mm	4
T149 – M5 x 12mm	4
T235 – M3 x 8mm	3

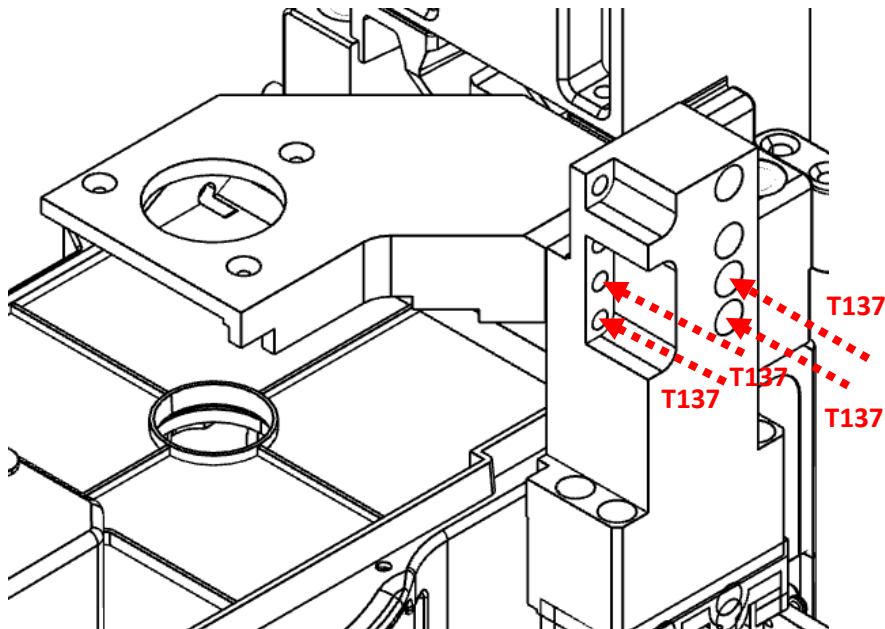
2. Insert the PF542 in the groove.
3. Use the screws provided to secure PF542 onto the microscope frame as shown in the pictures below.



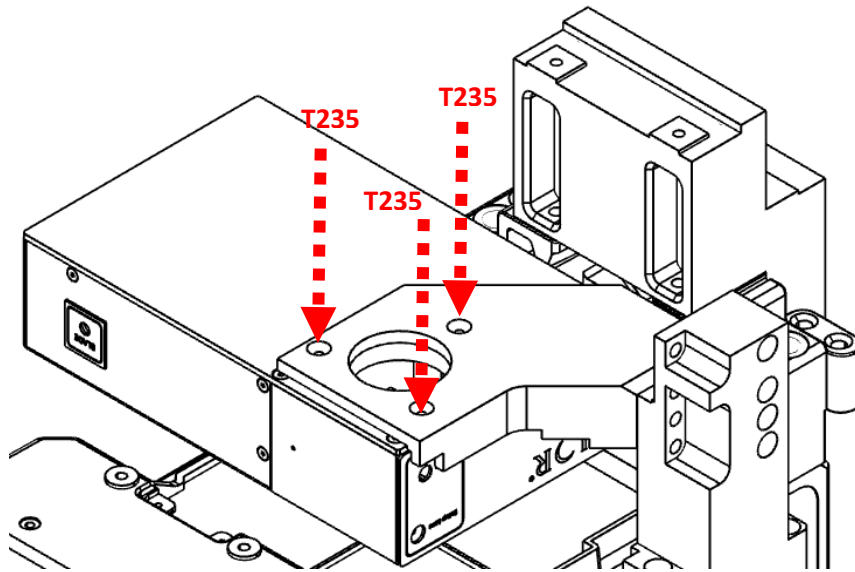
4. Install the PF539 (Nosepiece long spacer) onto the microscope frame with the screws shown on the picture.



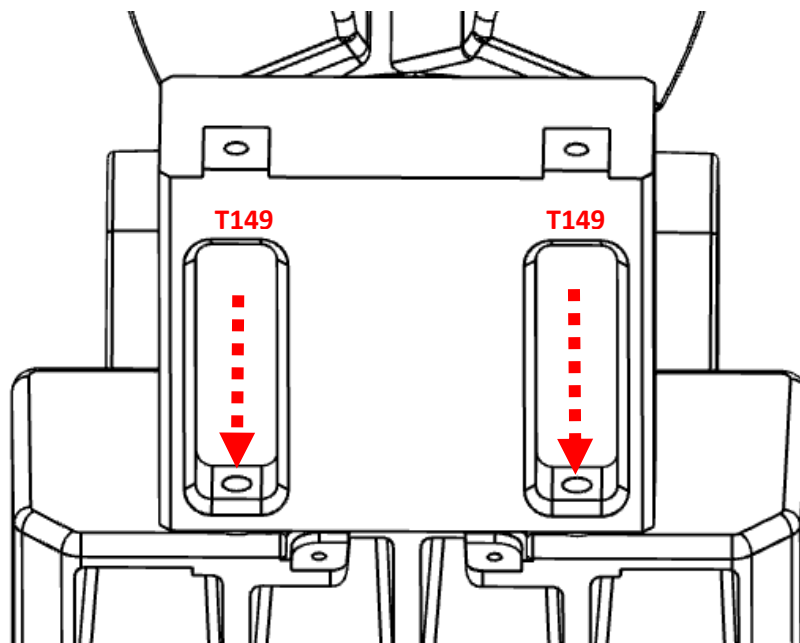
5. Attach the PF541 to PF539 using the screws mentioned in the picture below to secure it in place.



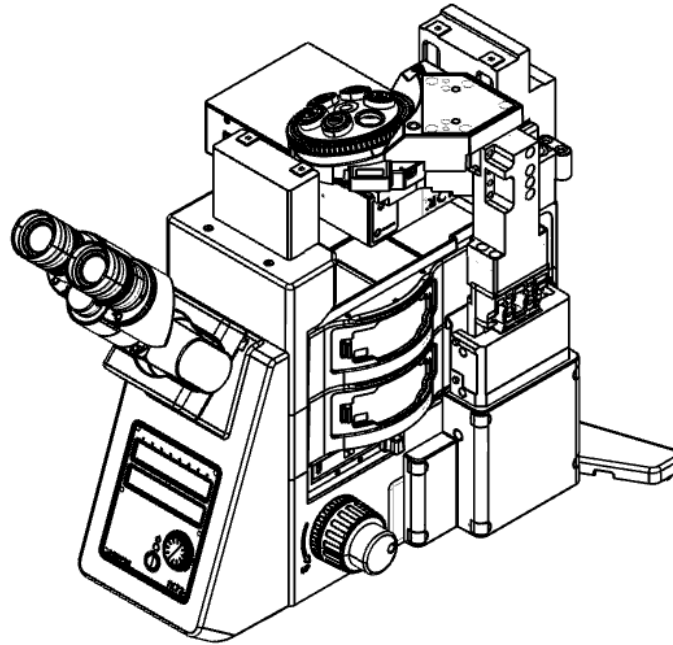
6. Install the PF850. The body of the PF850 goes underneath the bracket and is secured by screws mentioned the picture below.



7. Fit the PF543 stage spacer as shown in the diagram below.

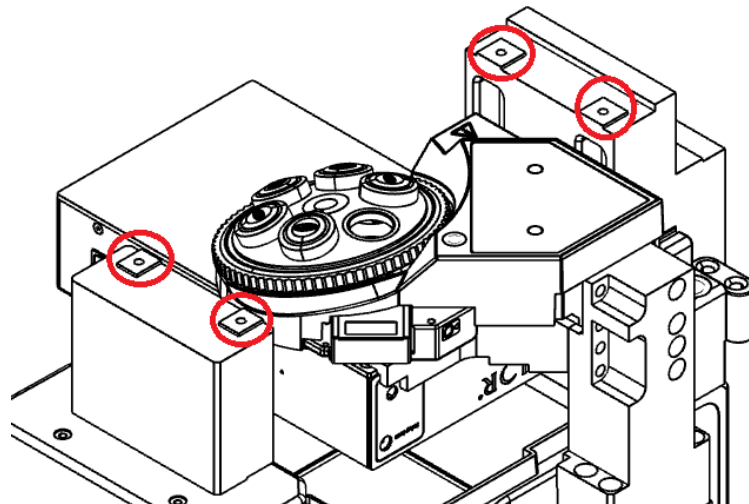


8. Refit the nosepiece onto the PF539.



Section 4: Reassembling the Microscope

1. Re-fit the stage onto the microscope at the four mounting holes shown in the picture below.



2. Re-attach the objectives into the correct positions on the nosepiece and fit the sample holder onto the stage.
3. Refit the illumination pillar onto PF542 (Illumination pillar spacer).
4. Reconnect all removed cables to the stage and illumination pillar.
5. Microscope is ready to use.

