

Prior Scientific Help Guides and Installation Instructions

UPDATED 6 May 2015

# How to fit an ESI07IX stage to an IX microscope

Take the ES107IX stage:



Move stage to the left to gain access to screws. Remove the screws (circled).



Move stage to the right to gain access to screws. Remove the screws (circled).

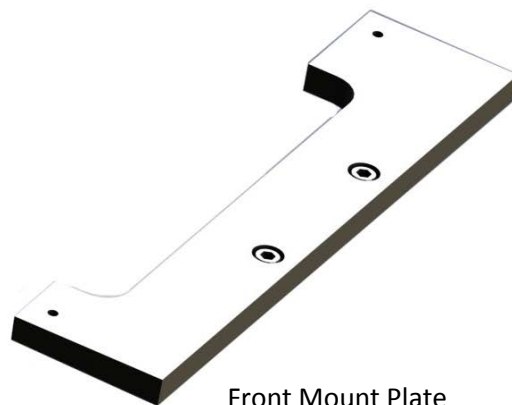


Once both sets of screws are removed the mounting plates can be also removed.

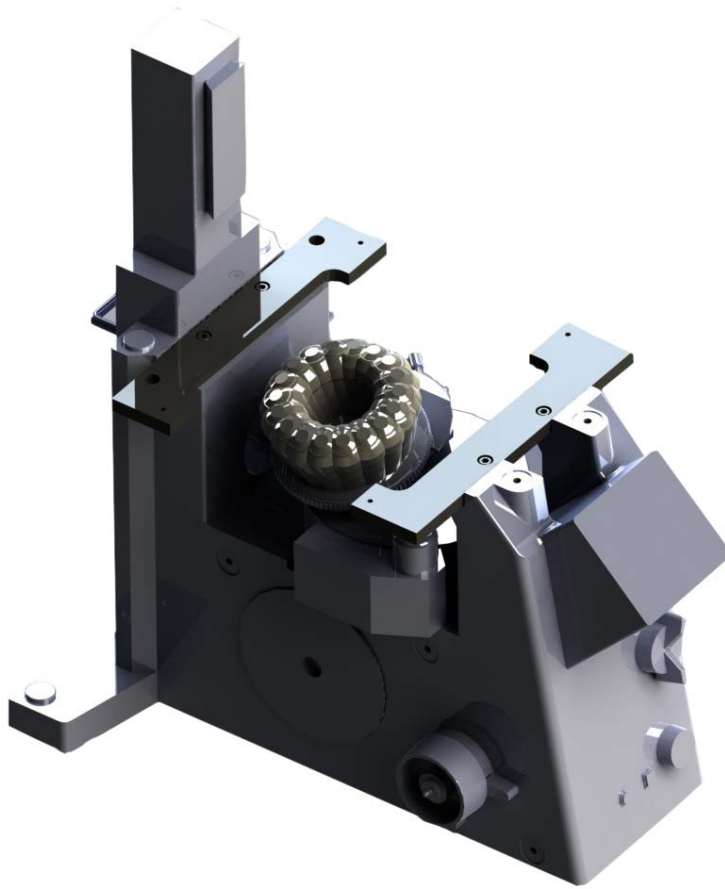
Rear Mount Plate



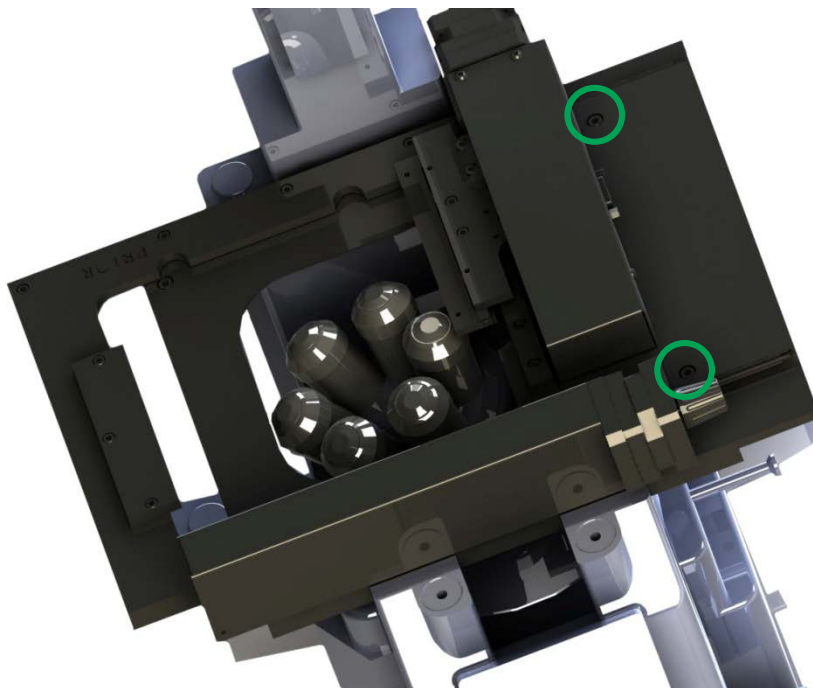
Front Mount Plate



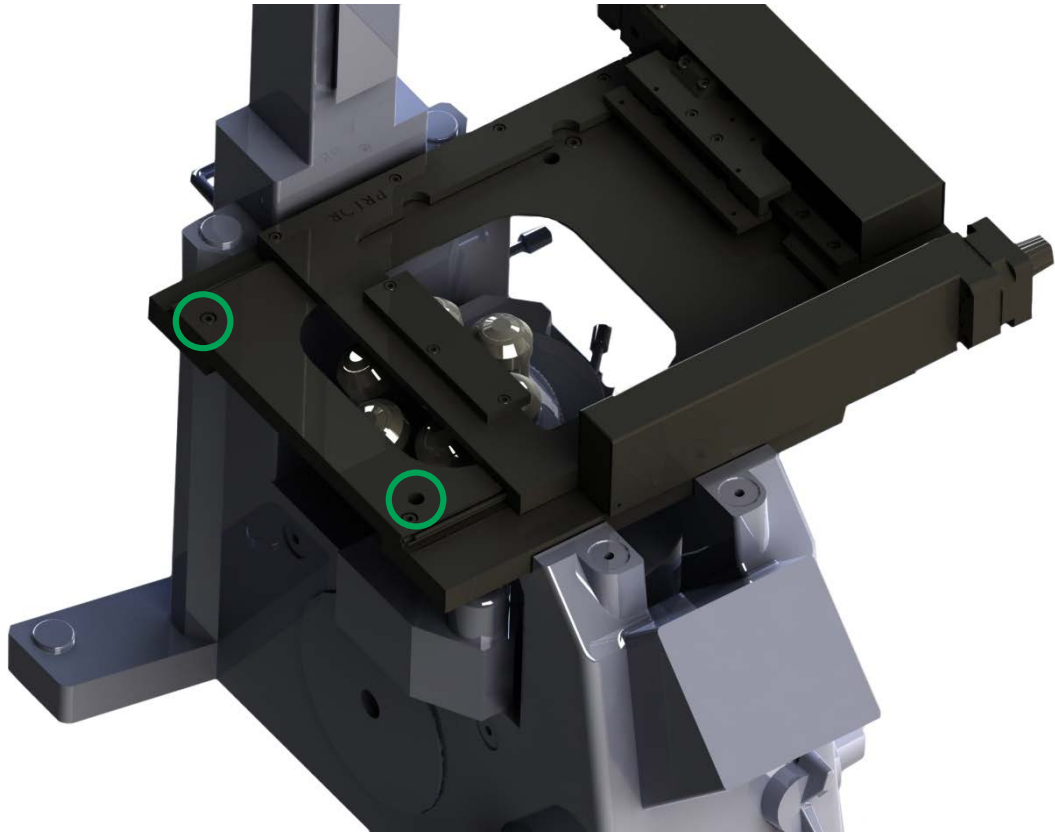
The mounting plates should then be attached to the microscope.



Position the stage onto mounting plates as shown. Move stage left to allow screws (circled) to be fitted.



Move the stage left to allow screws (circled) to be fitted.



Your stage is now installed.