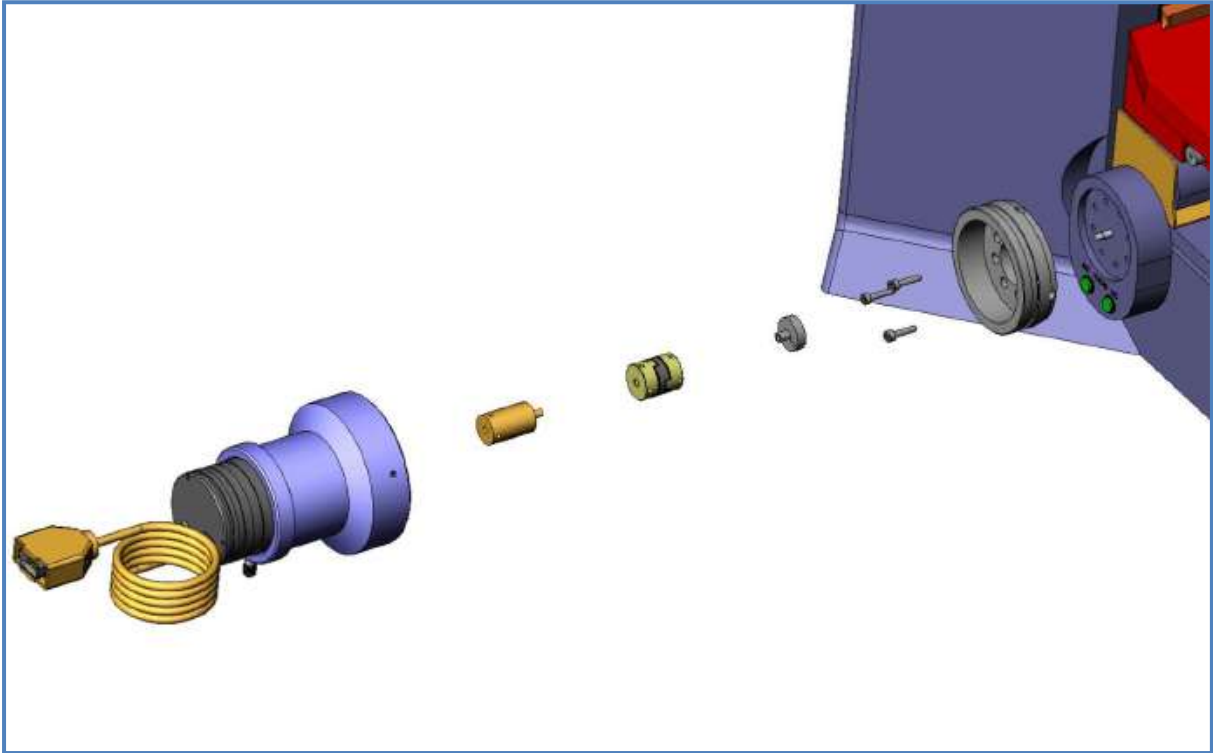
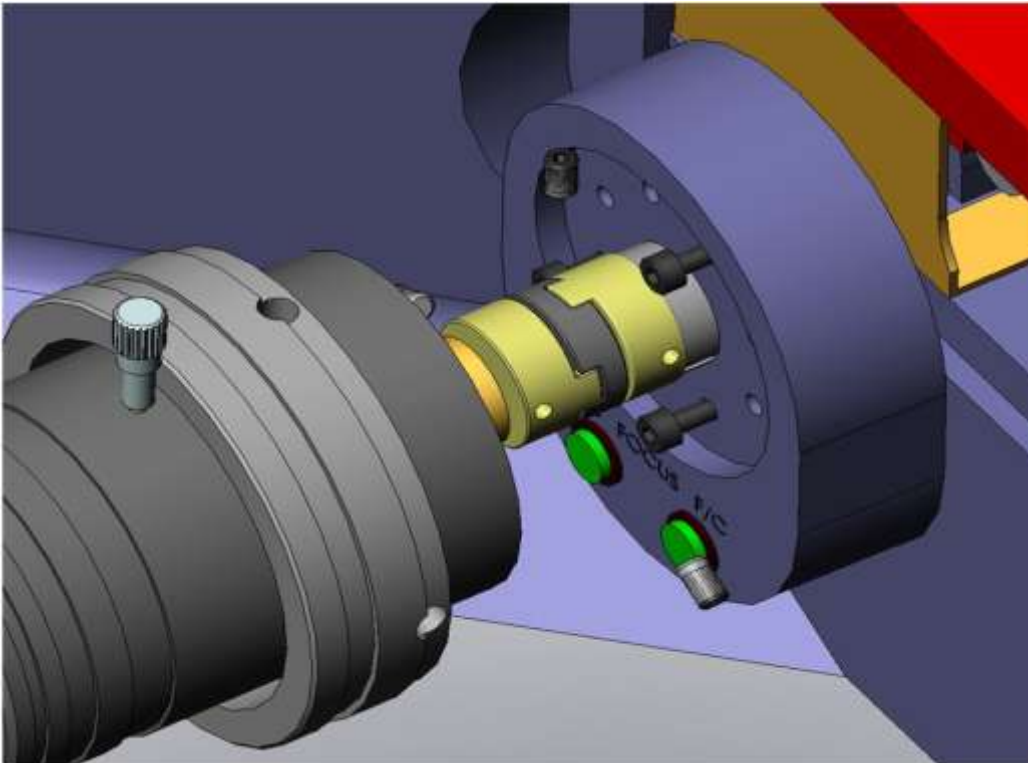


PS3H122OLM



To fit the Prior Focus Motor to a BX61, please follow the below instructions.



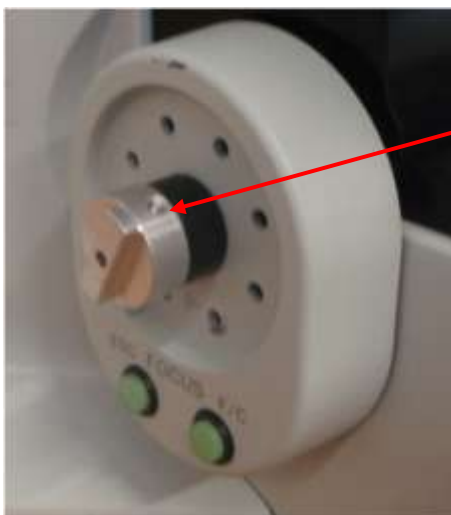
Remove the Left hand focus knob from the Olympus microscope.



Remove the three chrome screws.



Put Black collar over the microscope spindle and faster with the metal hub grub screw.

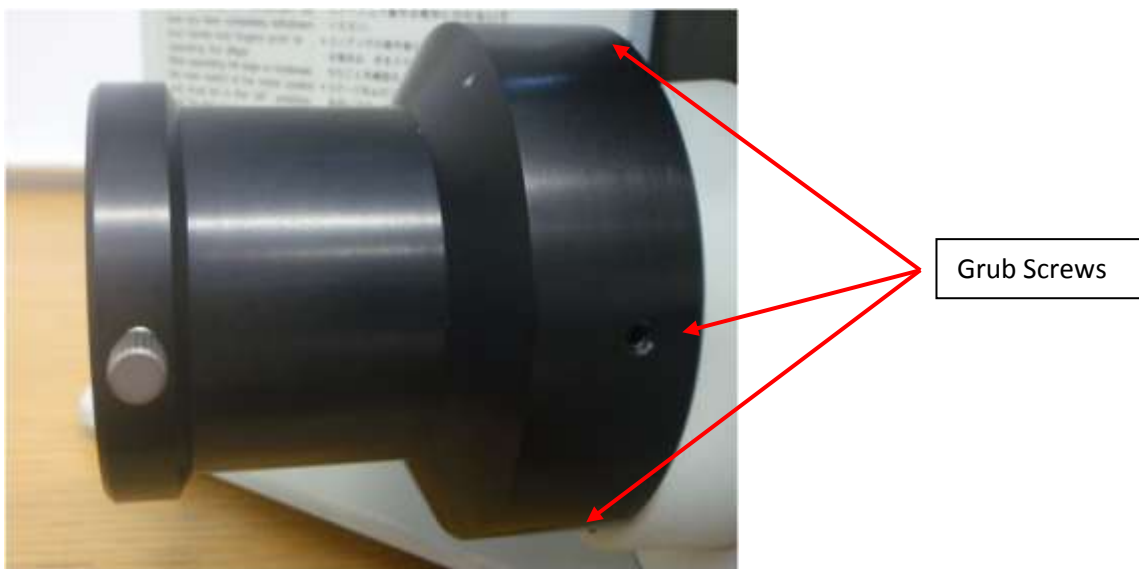


Grub Screw

Fix the mounting flange to the microscope using black screws provided and the same screw holes that the Olympus screws were removed from.



Attach the focus motor sleeve to the mounting flange using the grub screws.



Insert the motor making sure it engages the slot correctly.

