

Prior Scientific Help Guides and Installation Instructions

UPDATED 9 November 2015

Installing a Filter Wheel and Shutter on Nikon Ti

These are instructions for attaching a filter wheel and shutter to either the excitation or emission ports of the Nikon Ti Microscope. Please contact Prior Scientific if you have any questions; and note that this operation should only be undertaken by a suitably competent and qualified person who had read and understood these instructions. It may be helpful to read our generic instructions [on how to add a shutter to a filter wheel](#) alongside this guide.

EXCITATION PORT

The diagram below shows how the shutter wheel and filter wheel fit together.

A = filter wheel front plate

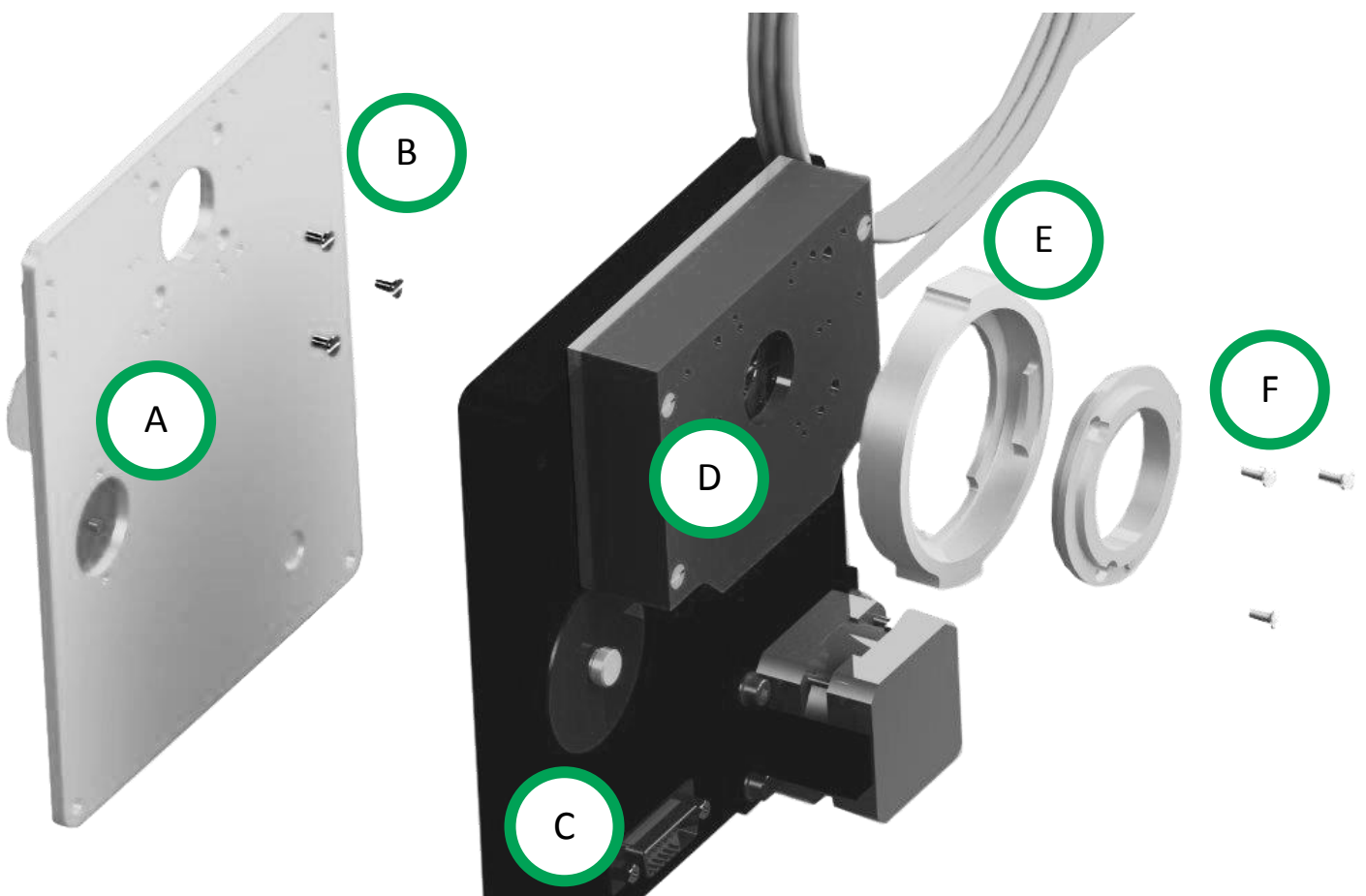
B = screws for the adapter to microscope (not shown) which are screwed in through the back of the front plate to secure adapter to filter wheel

C = main body of filter wheel

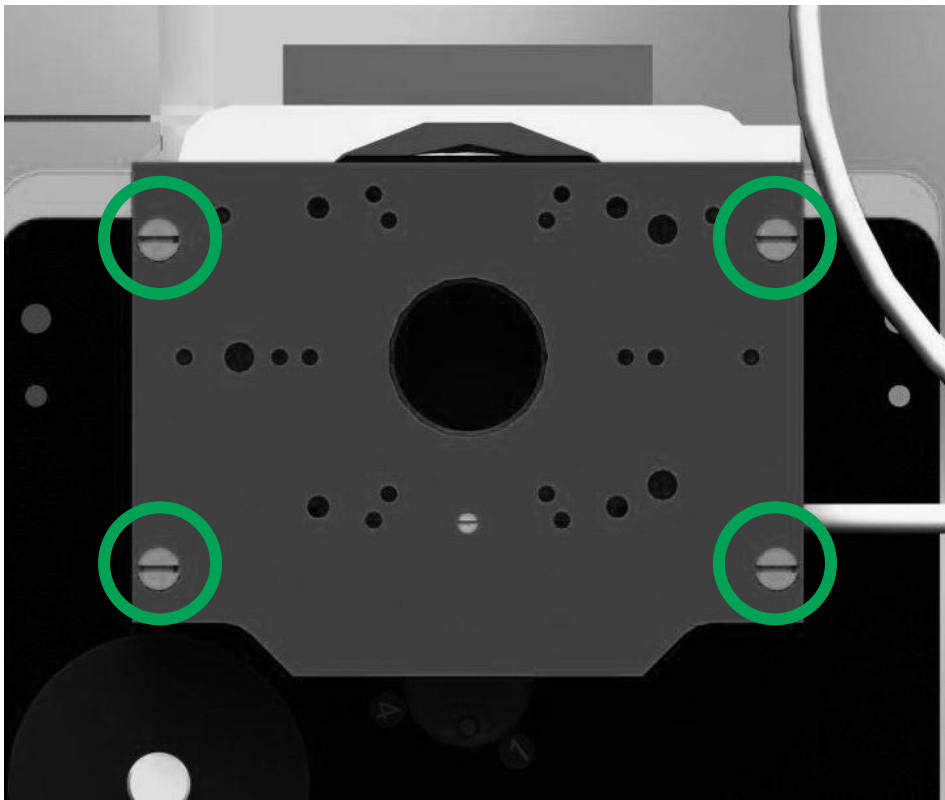
D = shutter

E = adapters to light source (screw onto shutter)

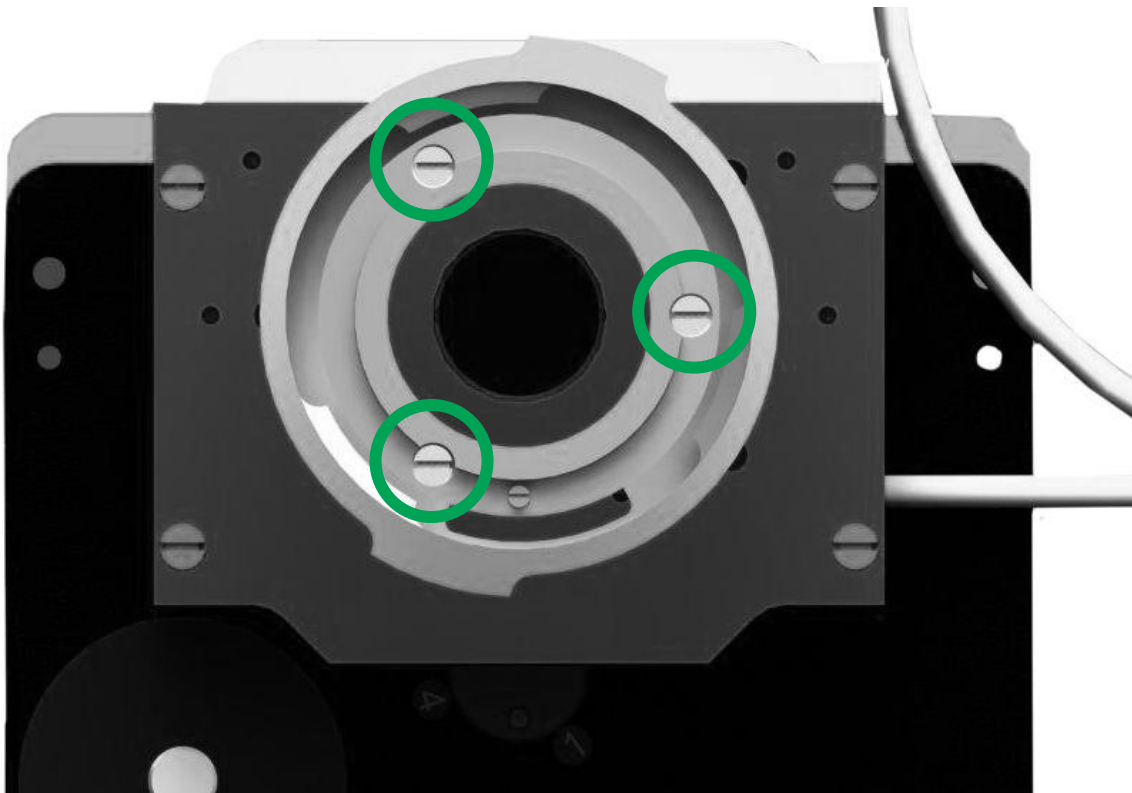
F = screws to attach E to D.



The shutter is simple to attach to the back of the filter wheel; using the four screws ringed below.

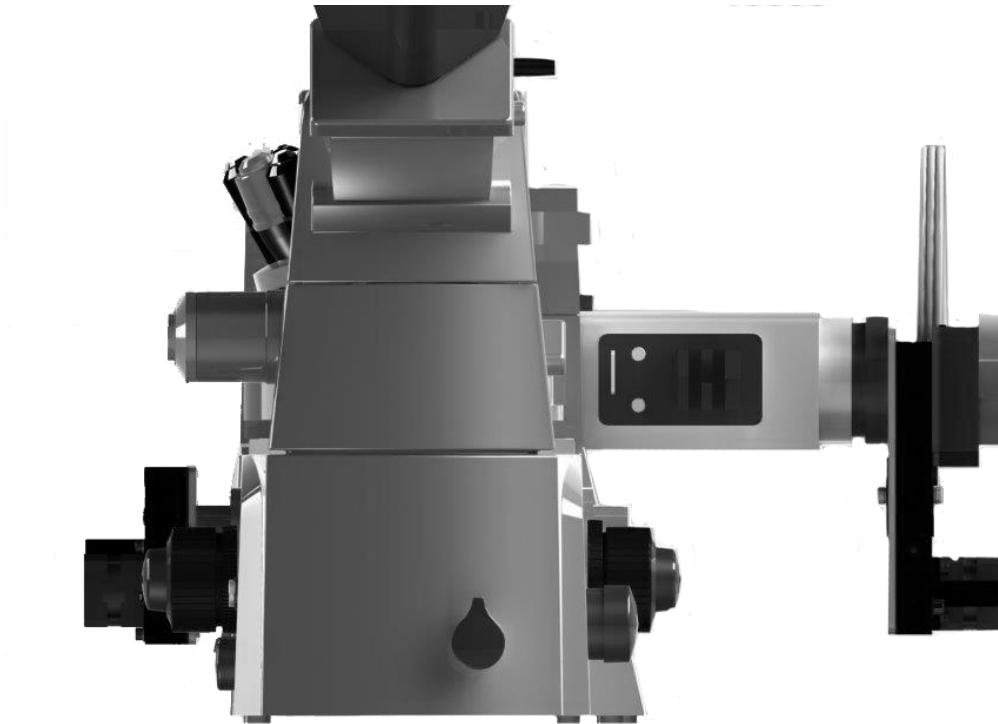


The adapter to fit the light source to the filter can then be fitted to the back of the shutter using the three screws (ringed).



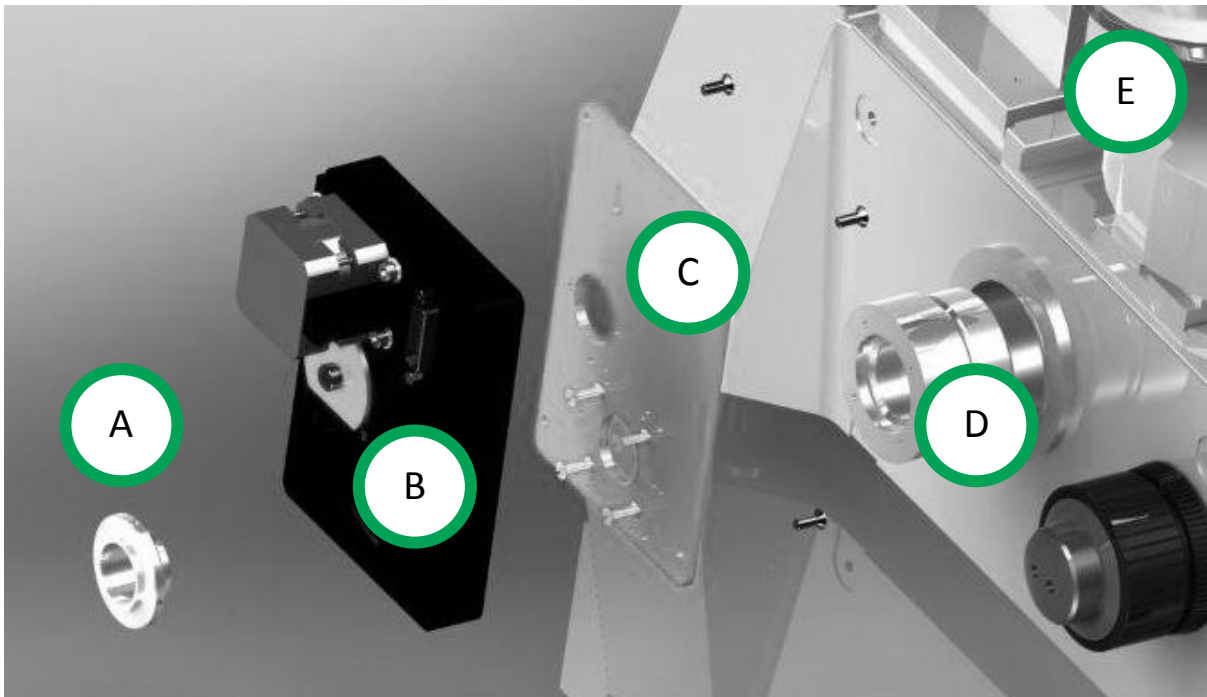
The adapter to fit the filter wheel to the microscope needs to be screwed into the filter wheel from the underside of the filter wheel top plate. To get access to this the front cover of the filter wheel must be removed by unscrewing the four screws from the filter wheel and then removing the top plate. The adapter is then screwed into place from behind, and the top plate replaced on the filter wheel. For more detailed instructions on this procedure please read [how to add a shutter to a filter wheel](#), available on our website.

Install the filter wheel/shutter combination on the microscope, and then add the light source. The light source is now shown in the image below.



EMISSION PORT

The diagram below shows how the filter wheel should be added to the emission port.



A = C-mount

B = filter wheel

C = filter wheel main body

D = adapter to microscope

E = microscope

Fix the microscope adapter to the filter wheel as described above, by removing the front cover of the filter wheel. The C-mount should then be screwed to the filter wheel.

