

H122DM4

This guide is for installing a H122DM4 motor onto a Leica DM4000 microscope. This should only be done by competent and qualified persons who had read and understood these instructions. Do not hesitate to contact Prior Scientific if you are at all unsure.

See the diagram below.

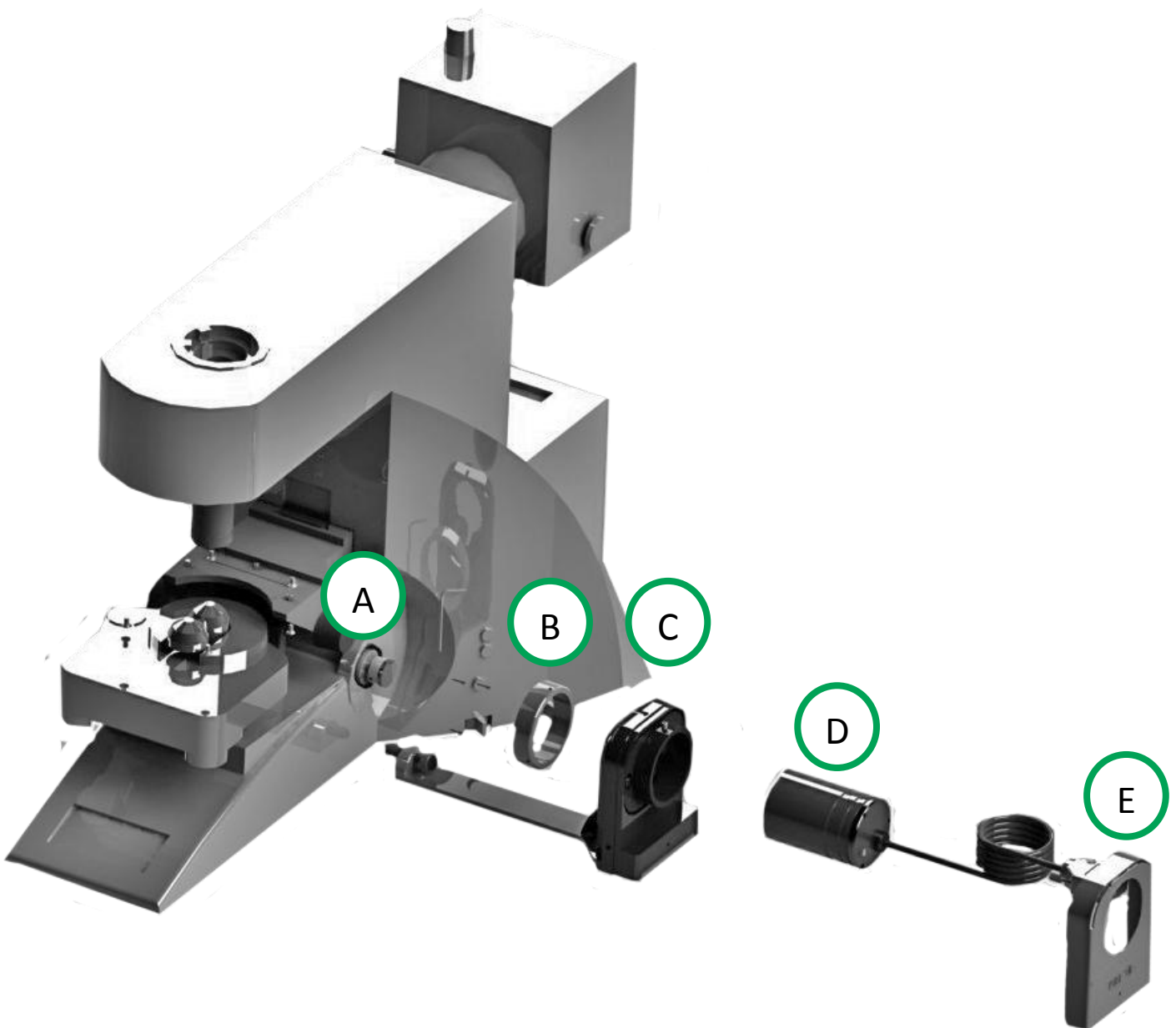
A = coupling hub

B = coupling cover

C = motor holder

D = motor

E = cover



Remove the right hand side focus knob of the Leica DM4000, exposing the fine focus spindle.

This is done by loosening the grub screw in the fine focus knob, and then pulling the fine focus knob off the microscope.

Attach the coupling hub to the fine focus spindle.

Attach the coupling hub to the motor.

Insert the torque disk into the fine focus coupling hub.

Place the motor holder under the microscope and position opposite the fine focus.

This is done by using the provided positioning block to centralise the motor holder, and then locking the motor holder into position.

Push the motor through the motor holder and the coupling cover and connect the two hub (green)s and torque disks (blue). See Fig. 1 for details. You may need to adjust the position of the torque disk, which can be done by unlocking and adjusting the coupling hubs as required.

The motor is then fixed in position with the hex key.

Finally, fix the cover and screw the lock on with the screw provided. The final assembly can be seen in Fig. 2.

