

Instructions for Mounting Z Encoder Probe H394

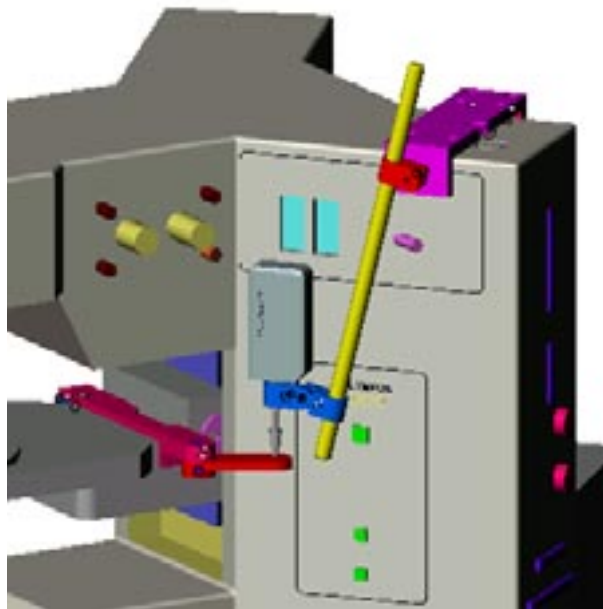
The H394, Z encoder mounting kit is used with the Heidenhain probe and cable (part number H393) and an OptiScan controller (part number ES9E) to measure focus movements with a resolution of 0.05 μ m.

The kit consists of three parts:

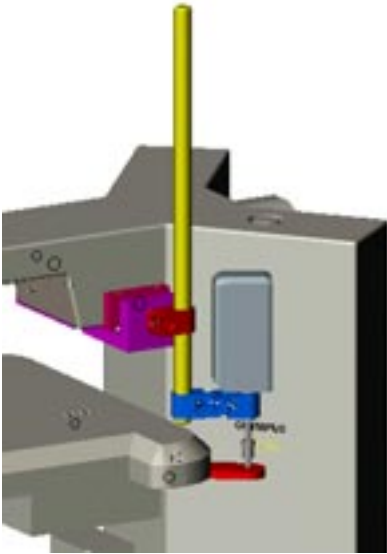
1. An adjustable width clamp for attachment to the microscope limb.
2. As above but for clamping onto the microscope stage bracket.
3. A rod with a clamp for attaching the Heidenhain probe assembly.

Due to the differences in the design of the microscopes, certain parts may not be needed to mount the probe. Examples of the methods of mounting for some popular microscopes are shown as follows:

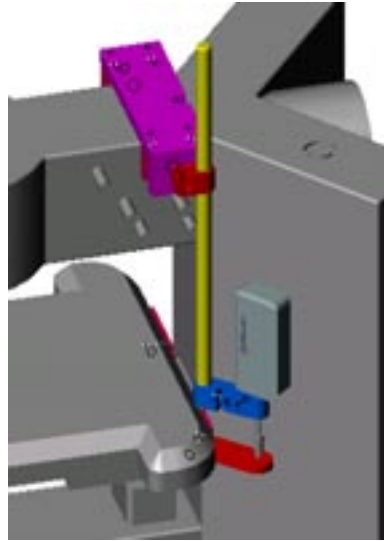
AX70



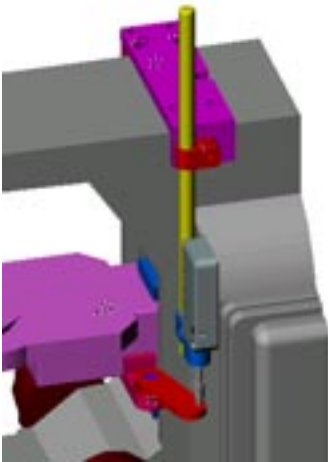
BX40



BX60



E400



E800

