



IMPORTANT SAFETY INFORMATION



PLEASE READ THE MANUAL BEFORE USING!

THE MANUAL IS AVAILABLE FROM PRIOR SCIENTIFIC (WWW.PRIOR.COM) AND SHOULD BE READ AND UNDERSTOOD BEFORE INSTALLATION AND USE

- Adhere to all warnings on the product, on this sheet and in the user manual.
- This product **MUST NOT** be exposed to open flames, extremely hot or cold temperature, water or moisture. **DO NOT** allow objects to fall, or liquids to spill, on the product.
- Ensure you have read and understood the ProScan III manual prior to installation. The Z-Deck is controlled via the ProScan III and important operational and safety information for the ProScan III is applicable to use of the Z-Deck.
- **Do not attempt to disassemble, tamper with, or repair this product; it contains NO user serviceable parts and doing so may void the warranty.** Service should be performed **ONLY** by authorised service centres.
- Do not connect or disconnect the Z-Deck to the ProScan III whilst the ProScan III is powered up. Doing so may result in damage to the unit.
- Keep fingers, hands, clothes and hair clear of moving parts when it is operating.
- Note that the unit is heavy. Ensure that at least two people are involved in lifting. Ensure all surfaces can support the weight!
- If unsure, **please contact Prior or an approved representative if you have any questions or comments.**



Z-DECK INSTALLATION

Prepare the installation area to prevent component damage. Remove the objective and condenser from the microscope.

Place towers knobs facing outwards. Remove the transport screws and place the XY stage onto the tower feet.

1

Screw the stage plate to two tower feet on the right side.

2

Move the stage in position for the installation of the left legs using the ProScan III.

3

Screw the stage plate to two tower feet on the left side.

4

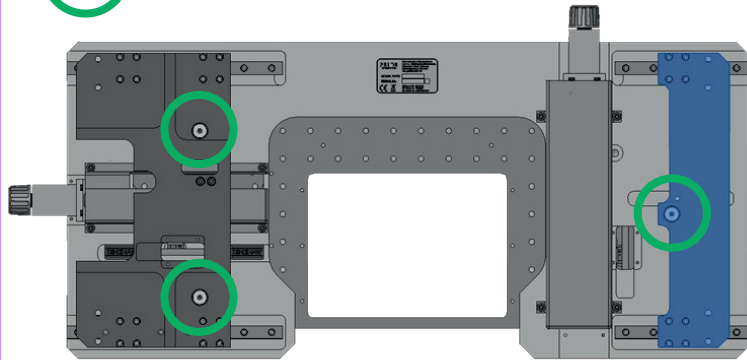
Fine adjustment. Fix tower feet and spacer pads as required. Confirm smooth movement of stage

5

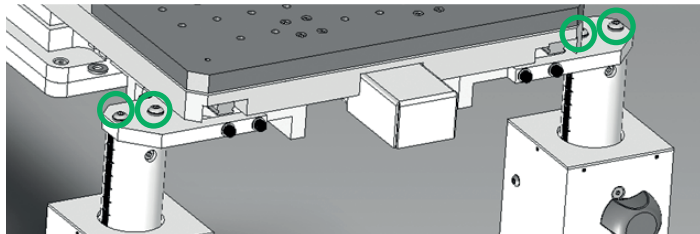
Z-Deck is now ready

Z-DECK INSTALLATION

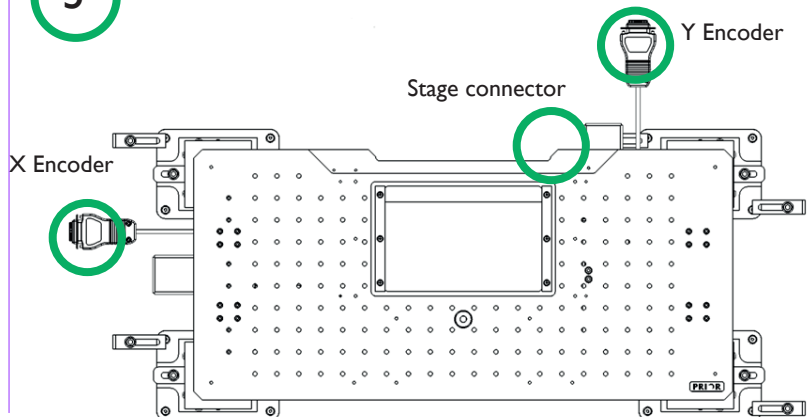
1 Remove Transport Screws (circled green) and move the highlighted blue part to the right.



2 Attach right feet to the stage by using M5 x 14 screws

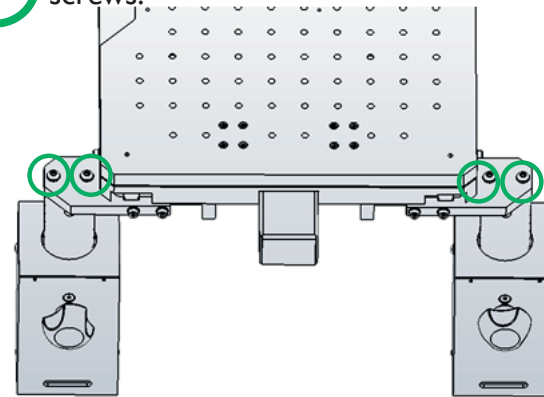


3 Connect Z-Deck as shown to ProScan III

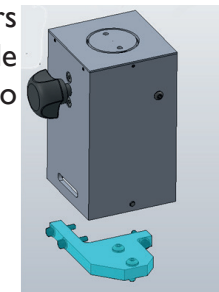


Z-DECK INSTALLATION

4 Attach left feet to the stage using the circled screws.



For Nikon NI, install the adapters (highlighted blue) onto the left side of the feet only before attaching to stage



5 Attach spacers to the legs if needed - consult manual for guidance. Ensure that there are 19 holes between the inside of the right tower leg and the inside of the left tower leg.

