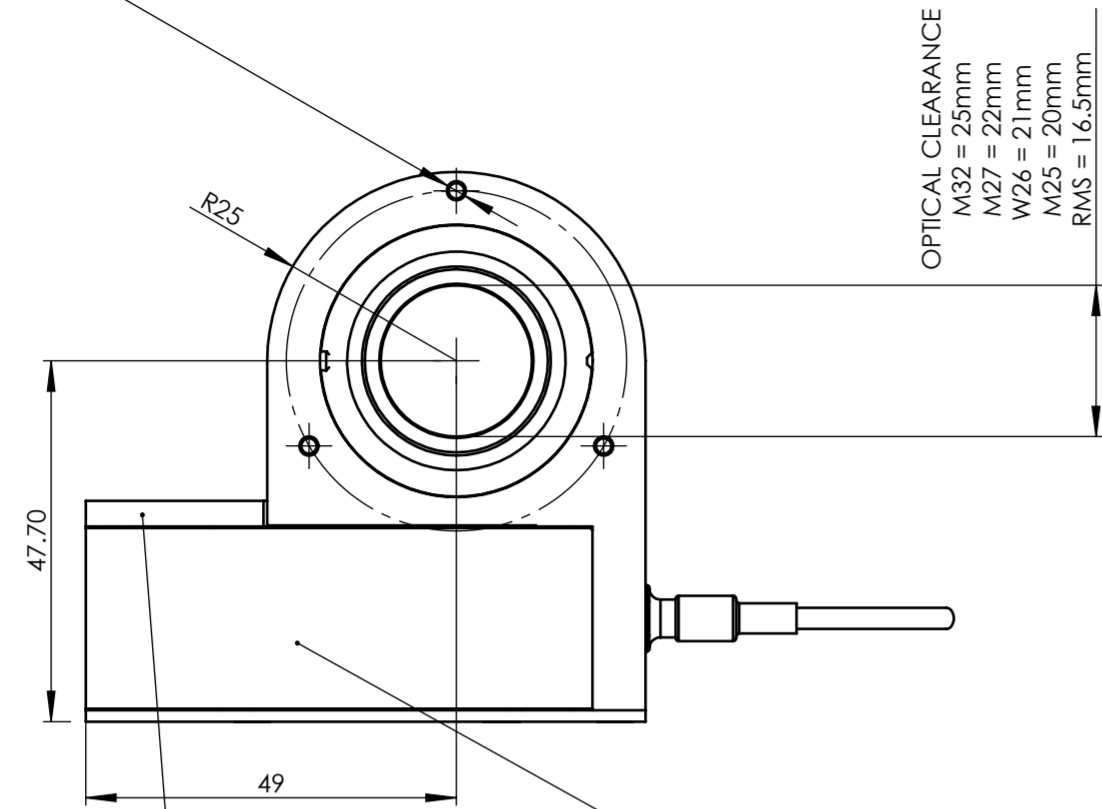


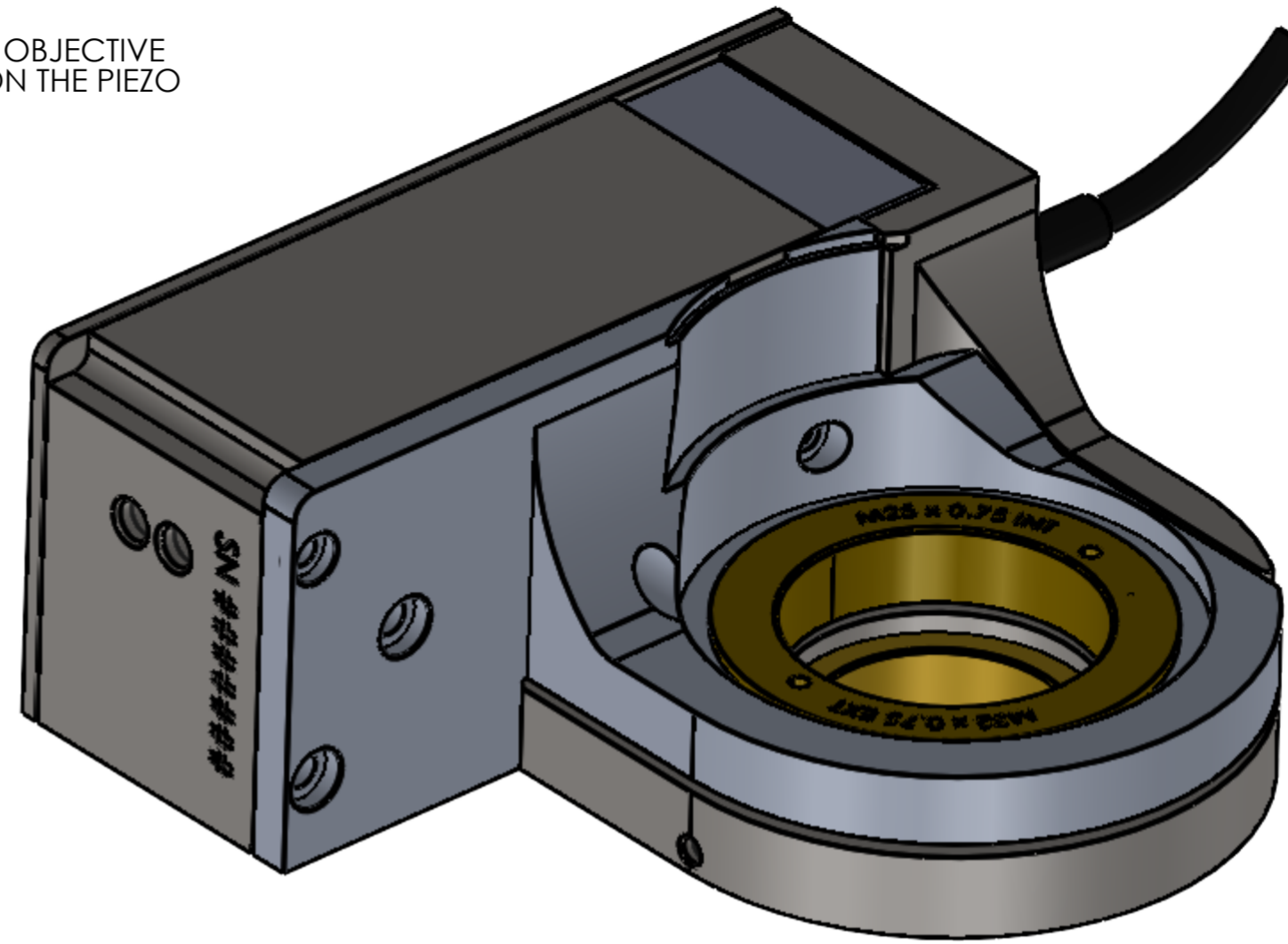
3 x ϕ 2.05 ∇ 6.35
 M2.5 - 6H ∇ 5
 ∇ ϕ 2.55 X 90°, Near Side
 EQUALLY SPACED ON 45 PCD

INVERTED (INV) MODEL IS DESIGNED TO WORK WITH THE OBJECTIVE ABOVE THE STAGE SO GRAVITY ACT IN COMPRESSION ON THE PIEZO OFTEN ON AN INVERTED MICROSCOPE.

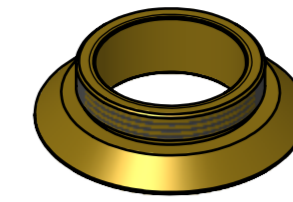


WHEN MOUNTING DIRECT ON THE 3 x M2.5 LEAVE >0.5 CLEARANCE ABOVE THIS FACE

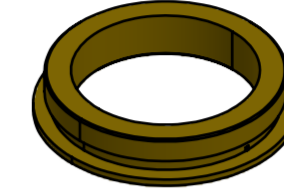
WHEN MOUNTING DIRECT ON THE 3 x M2.5 LEAVE >0.5 CLEARANCE ABOVE THIS FACE



ADAPTERS AND ACCESSORIES
 (SOLD SEPARATLY NOT SHOWN TO SCALE)



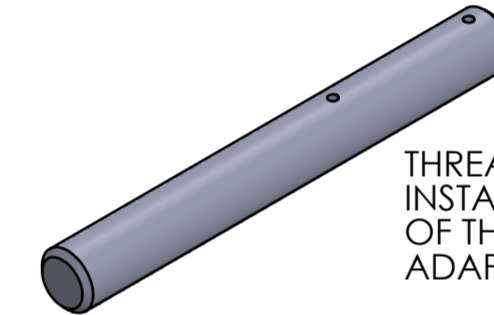
MICROSCOPE THREAD ADAPTER. SELECT APPROPRIATE THREAD TO MATCH MICROSCOPE RMS, M25, W26, M27 OR M32



OBJECTIVE THREAD ADAPTER. SELECT APPROPRIATE THREAD TO MATCH OBJECTIVE RMS, M25, W26 OR M27. NOT REQUIRED FOR M32 SYSTEMS.

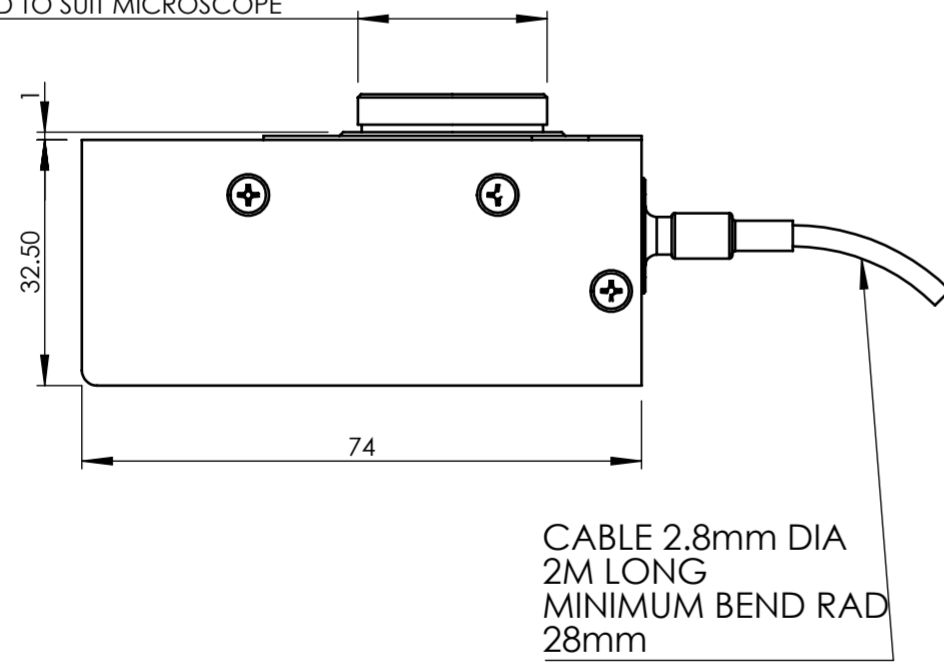


PARAFOCAL SPACERS FOR MOVING OTHER OBJECTIVES IN MICROSCOPE NOSE TO THE SAME FOCAL HEIGHT RMS, M25, W26, M27 OR M32. 13mm LONG EXCEPT M32 WHICH IS 12mm.



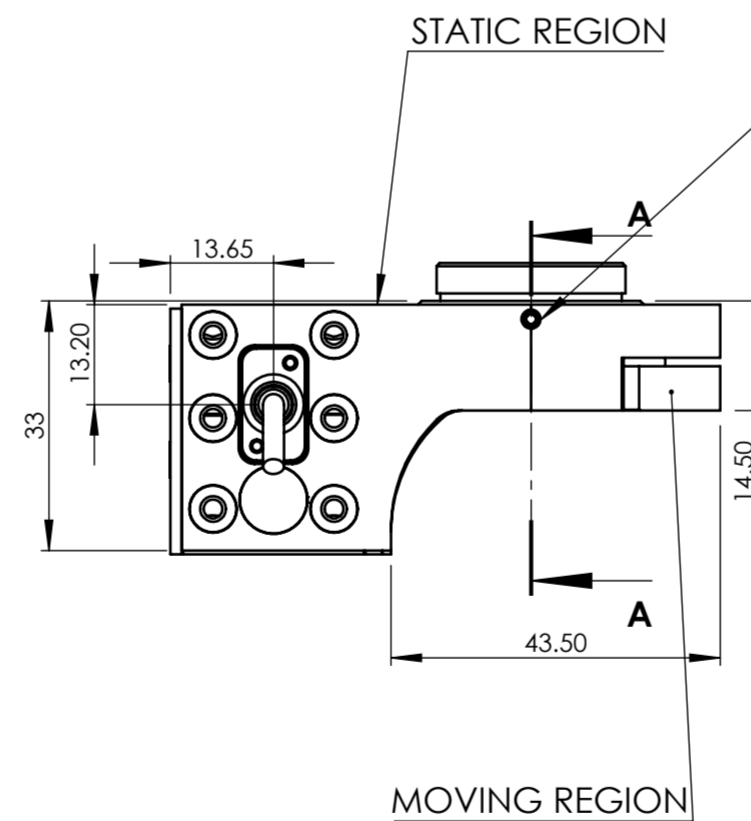
THREAD ADAPTER KEY CAN AID INSTALLATION AND REMOVAL OF THREAD ADAPTERS LIGHTLY NIP UP ADAPTERS ON INSTALLATION.

SELECT MICROSCOPE THREAD ADAPTER WITH THREAD TO SUIT MICROSCOPE



STATIC REGION

TWO MICROSCOPE ADAPTER CLAMPING GRUB SCREWS USE 1.3mm (0.050") HEX KEY. USE ONLY THE SCREWS PROVIDED.



OBJECTIVE CLEARANCE:
 ϕ 40 (TOP 9.5 OF OBJECTIVE)
 ϕ 42.8 (TOP 20.5 OF OBJECTIVE)
 ϕ 44 (TOP 21.5 OF OBJECTIVE)

SCREW IN OBJECTIVE THREAD ADAPTER IF NOT USING M32 OBJECTIVES

9.50

20.50

21.50

12 M32 ONLY PARAFOCAL ADJUSTMENT

13 RMS M25, W26, M27 PARAFOCAL ADJUSTMENT

SECTION A-A

ECN	REV	CREATED	APP	DATE	DETAILS
1st Rel	B	JC	S.R.	06.01.25	1st Release

TITLE	OP800-INV INSTALLATION DRAWING				APRVD.	S.R.
DRG. No.	QG-0494-IN-100004	SHEET 1 OF 1	ISS.	B	DRAWN	JC
MATL.	STAINLESS, BRASS, ALUMINIUM				SCALE	1:1
FINISH	CLEAN				DATE	02.01.25
PRIOR Scientific Instruments Ltd. Fulbourn, Cambridge.						

3RD ANGLE DO NOT SCALE IF IN DOUBT ASK

TOLERANCE UNLESS OTHERWISE STATED \pm 0.1mm

BREAK ALL SHARP EDGES