

Installation note for OP Series objective positioners on Nikon Ti2 with adapter kit QGOP-RAISE-KIT-TI2

Overview

This installation guide describes the procedure for installing the Prior Queensgate OP Series (OP200/OP400/OP800) objective positioners on the Nikon Ti2 inverted microscope using the QGOP-RAISE-KIT-TI2 adapters to increase the motorized stage height.

It is assumed the XY stage has already been dismantled from the microscope frame, please refer to the Nikon Ti2 setup manual.

Contents of Kit

Part number	Description	Quantity
QG-0494-DP-100056	OP Raiser Block Nikon Ti2	2
QG-0494-SK-100018	M5 x 20mm Full Thread Cap Head Screw	2
QG-0494-SK-100019	M5 x 25mm Full Thread Cap Head Screw	2
QG-0494-SK-100020	M5 x 30 Captive SOC HD Screw	2

Installation

Step 1: Install OP Series objective positioner and objectives

Important: Begin by referring to the applicable NanoScan OP Series quick start guide document for a complete guide to correctly handling and installing the OP Series objective positioners. Only 'Inverted' (-INV) variants of the OP should be used in this configuration.

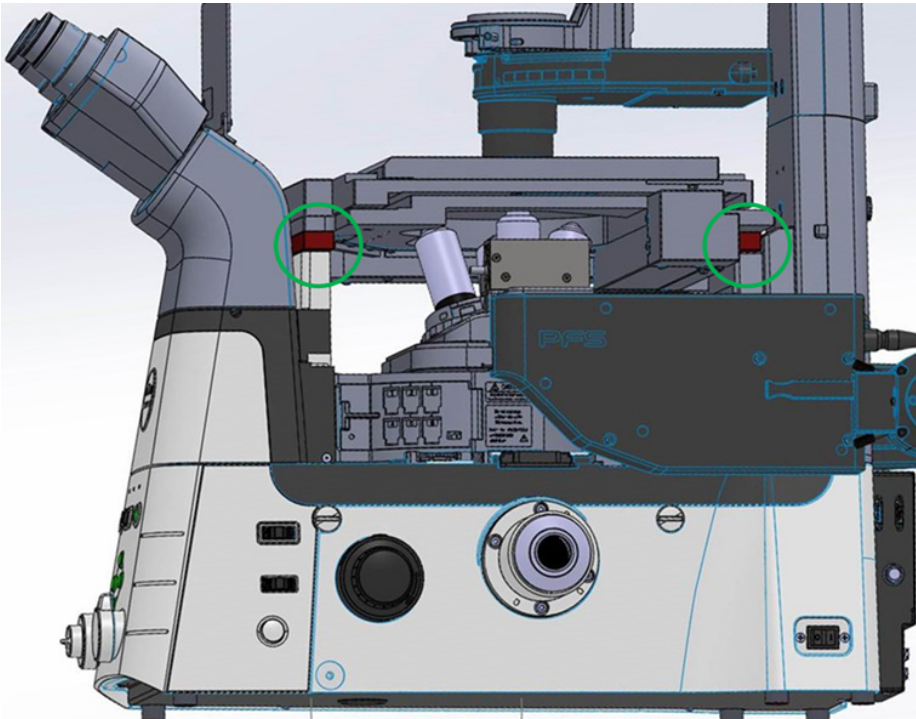
Install the OP to objective position one (1) using the QG-OP-MIC-M25 adapter. Install the QG-OP-OBJ-M25 objective adapter to install the objective on to the OP.

If you plan to use more than one objective, install the other objectives into the nosepiece positions using the QG-OP-SPACE-M25 parfocal spacers provided in the piezo kit.

Step 2: Install motorized XY stage

Following the relevant installation instructions, install the motorized stage using the QG-0494-DP-100056 spacers, as per the image on the next page. Please also note:

- If you have a Nikon stage: use M5 x 25 screws for the front and M5 x 30 captives for the rear.
- If you have a Prior H117 stage: use M5 x 20 screws for the front and M5 x 25 captives for the rear.



Precautions:

- Confirm the clearance of the OP housing and objective(s) before rotating the objective nosepiece.
- Route the OP cable carefully to avoid it being damaged or pulled.
- Do not rotate the nosepiece a full 360° to avoid wrap-up or binding of the OP cable.
- It is advisable to consult the Nikon Ti2 setup manual and disable any automated nosepiece rotation as instructed.

The installation is now complete.

UNITED KINGDOM

Prior Scientific Instruments Ltd.
Units 3-4 Fielding Industrial Estate
Wilbraham Road, Fulbourn
Cambridge, CB21 5ET
United Kingdom
Email: inquiries@prior.com
Phone: +44 (0)1223 881711

U.S.A.

Prior Scientific, Inc.
80 Reservoir Park Drive
Rockland, MA. 02370
U.S.A.
Email: info@prior.com
Phone: +1 781 878 8442

GERMANY

Prior Scientific Instruments GmbH
Maria-Pawlowna-Str. 4
D-07743, Jena, Germany
Email: jena@prior.com
Phone: +49 (0)3641 242 010

JAPAN

Kayabacho 3rd Nagaoka Bldg 10F,
2-7-10, Nihonbashi Kayabacho, Chuo-Ku,
Tokyo103-0025, Japan
Email: info-japan@prior.com
Phone: +81 (0)3 5652 8831

CHINA

Prior Scientific Instruments (Suzhou) Ltd.
Room 118, Meilihua Hemu Park
No. 393 Suhong Middle Road, Suzhou Industrial Park
Suzhou, 215000, China
Email: info-china@prior.com
Phone: +86 (0)512 6617 5866

