

PROSCAN™ III QUICK START INSTRUCTIONS



PLEASE READ THE INSTRUCTIONS BEFORE ATTEMPTING TO USE THE PROSCAN SYSTEM



- Save this manual as it contains important safety information and operating instructions.
- Before using the stage system, please follow and adhere to all warnings, safety and operating instructions located on the product and in this user manual.
- Do not expose the product to open flames, extreme hot or cold temperatures, water or moisture.
- Do not allow objects to fall on or liquids to spill on the product.
- Connect the AC power cord only to designated power sources as marked on the product.
- Make sure the electrical cord is located so that it will not be subject to damage.
- To reduce the risk of damage, unplug the product from the power source before connecting the components together.
- **DANGER** - never alter the AC cord or plug. If the plug will not fit into the outlet, have a proper outlet installed by a qualified electrician.
- Use only the proper type of power supply cord set (provided with the system) for this unit.
- Do not attempt to disassemble the product. Doing so will void the warranty. This product does not contain consumer serviceable components. Service should be performed by authorized service centers.

IDENTIFYING YOUR SYSTEM COMPONENTS

The standard ProScan system consists of:

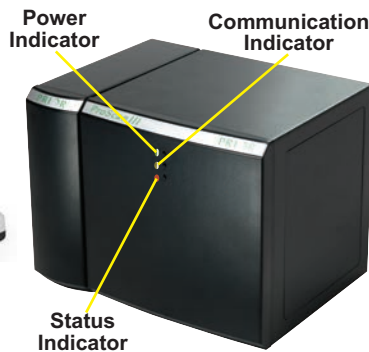
- (1) - *Controller box
- (1) - USB cable
- (1) - Power cable
- (1) - CS200 Joystick(s)

* Additional add-on modules increase functionality such as adding additional filter wheels or shutters, etc.



CS200 Joysticks

Controller Box shown with Additional Add-on Module



Please Note: Always turn off the controller box prior to attaching or removing any accessories.



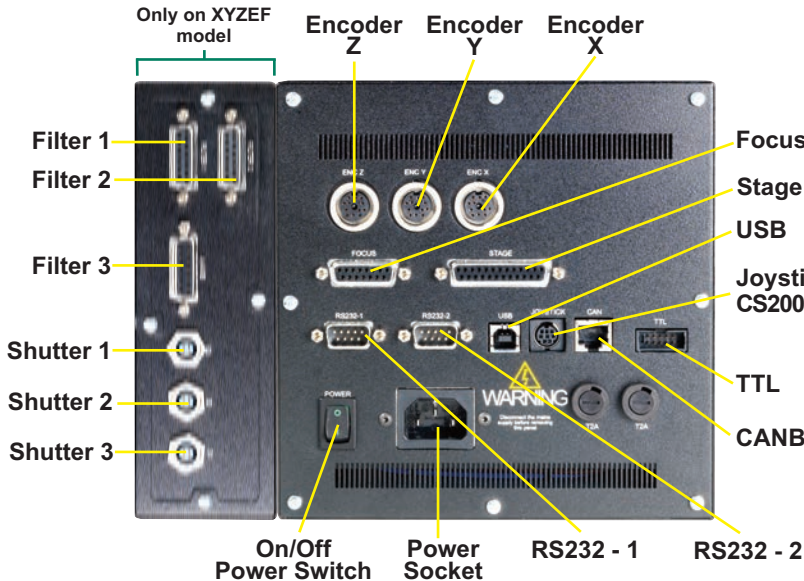
Power Cable



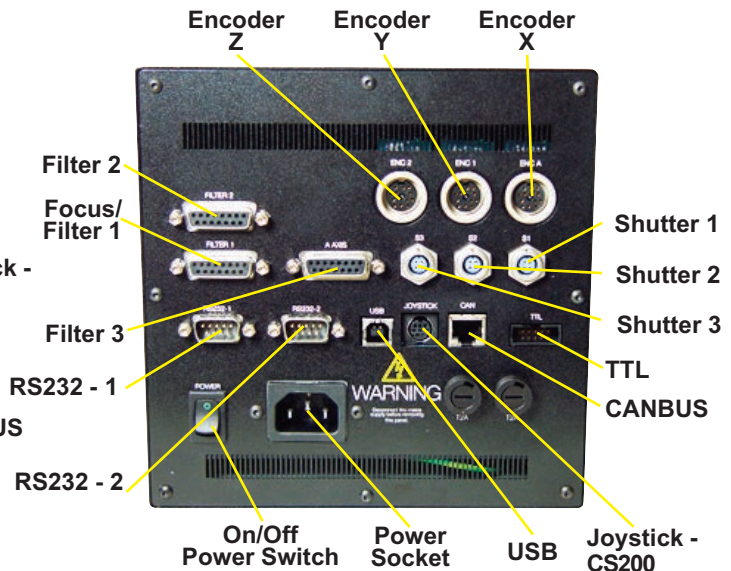
USB Cable

CONNECTING YOUR SYSTEM

ProScan™ III XYZ & XYZEF Models



ProScan™ III ZFE Model



INSTALLING THE PRIOR COMMUNICATION PORT FOR USB

For information on installing the Prior communication port for USB operation - Window XP please visit the support/downloads/software section on the Prior Scientific website.

INSTALLING ACCESSORIES AND STAGES

All the connectors are labelled, when plugging and unplugging connector always turn the power off.

All stages connect to the 25 way connector labelled "STAGE". Switch off the power using the power switch.

Connect and firmly and screw in the cable both at the controller and stage. If you have an encoded stage, plug and screw in the encoder cables, these are labelled X and Y, ensure the X cable is plugged into the connector on the ProScan III labelled X. Ensure the Y cable is plugged into the connector on the ProScan III labelled Y. Power on the ProScan III, the ProScan III will now auto detect the stage and setup the features associated with that stage in software.

INSTALLING FOCUS SYSTEMS

All focus systems connect to the 15 way connector labelled "FOCUS" or "FILTER 1" for H31ZFE controller. Switch off the power using the power switch. Connect and firmly and screw in the cable to the controller.

INSTALLING FILTER WHEEL AND SHUTTERS

It is recommended that filters be installed before mounting the filter wheel to a microscope.

1. Select filter position required for loading, by checking the number displayed in the load position indicator window (A)
2. Remove the magnetic covers (B) from the load port.
3. Remove lock ring (C) by unscrewing from the filter holder cell with the tool (D) provided.
4. Insert desired filter and replace lock ring.
5. Repeat this process for all the desired filter positions.
6. Replace magnetic covers.

All filter wheels connect to the 15 way connector, it can be labelled "FILTER" or "AXIS A", you can select "FILTER 1", "FILTER 2" or "AXIS A".

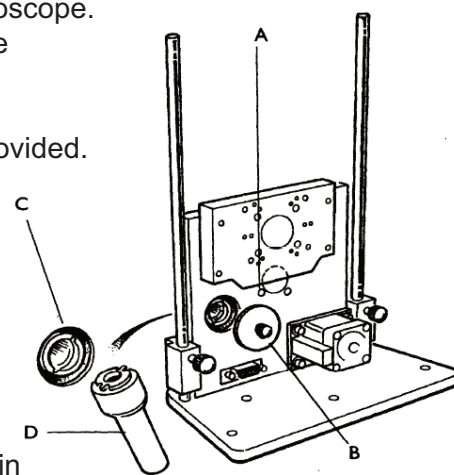
Switch off the power using the power switch.

Connect and firmly and screw in the cable both at the controller and filter wheel.

All shutters connect to the round connector labelled "S", you can select "S1", "S2" or "S3". Switch off the power using the power switch. Connect and firmly and screw in

the cable to the controller. Prior filter wheels and shutters are supplied with the correct adapter flanges fitted, for the specified microscope stand. Therefore the mounting of this equipment uses exactly the same procedure used when fitting the microscopes lamphouse. All Prior filter wheels and shutters are manufactured with C mount threads. The addition of a male to male C mount adapter (Part No. HF207) allows these units to be mounted to a microscope camera port, if required.

Note: Shutter should always be installed with the silver face towards the lamphouse.



INSTALLING FOURTH AXIS OR AUXILIARY AXIS EQUIPMENT

Fourth axis or auxiliary axis equipment connects to the 15 way connector, labelled "AXIS A". Switch off the power using the power switch. Connect and firmly and screw in the cable both at the controller and the equipment. The controller will automatically detect Prior accessories and set them up for use. For non-standard user equipment use the FOURTH commands in the ASCII commands section.

INSTALLING CS200 SERIES JOYSTICK

Ensure the system is switched off. Power on the system. The CS200 Joystick will be detected by the ProScan III controller.

INSTALLING A LUMEN 200PRO ILLUMINATION SYSTEM

The Lumen 200PRO uses two 15 way connectors. The two 15 way connectors should be connected to "FILTER 1" and "FILTER 2", if necessary use "AXIS A". Switch off the power using the power switch. Connect and firmly and screw in the cables for both at the controller and two Lumen 15 way connectors. Power on the system.