

PS3H122EKAXIM Install Instructions

Summary

These instructions will explain how to attach the encoder bracket, HP1702, to the Axio Imager.

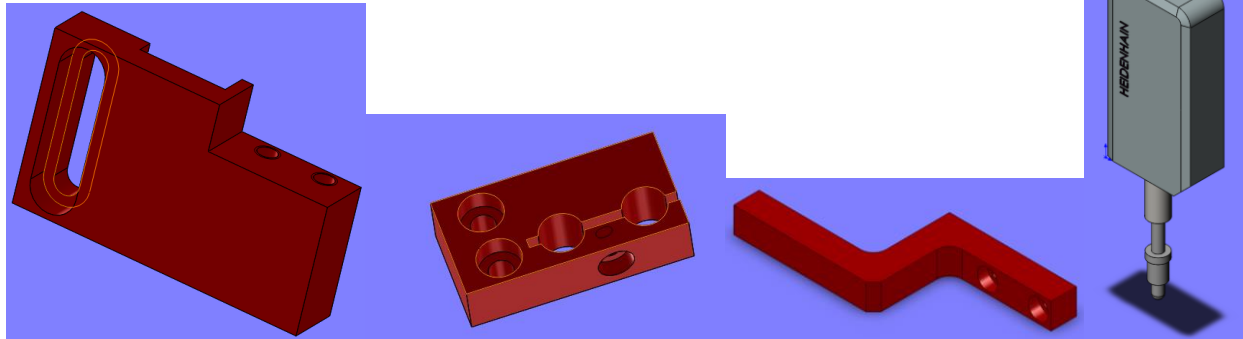
PARTS NEEDED

(All Provided)

1 M3x8 Socket head screw

2 M4x12 Socket head screws

4 M4x10 Socket head screws



Mounting Bracket

Clamping Bracket

Activating Bracket

Heidenhain Probe

Instructions

The final configuration will have the encoder probe mounted to the microscope body, and the probe tip will be in contact with the Activating bracket that is attached to the microscope stage carrier. As the stage moves up/down, the encoder will be able to record the movement of the Z axis.

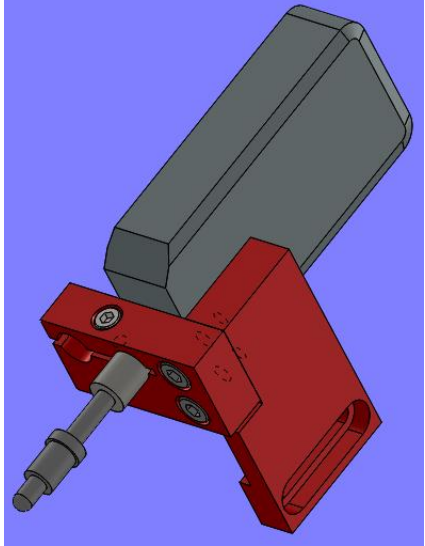
Step 1:

Connect the Mounting Bracket and the Clamping bracket together using the 2 M4x12 Socket head screws.

Step 2

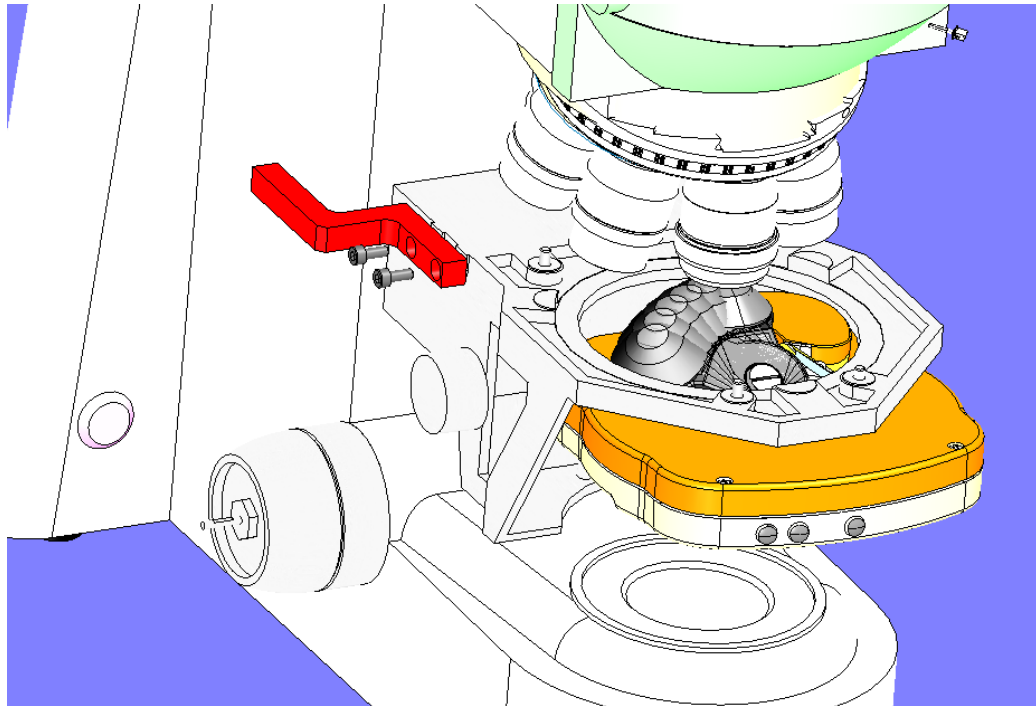
Insert the Heidenhain Probe into the opening closest to the Mounting Bracket, and secure with the M3x8 Socket head screw.

The assembly should now look like the following:



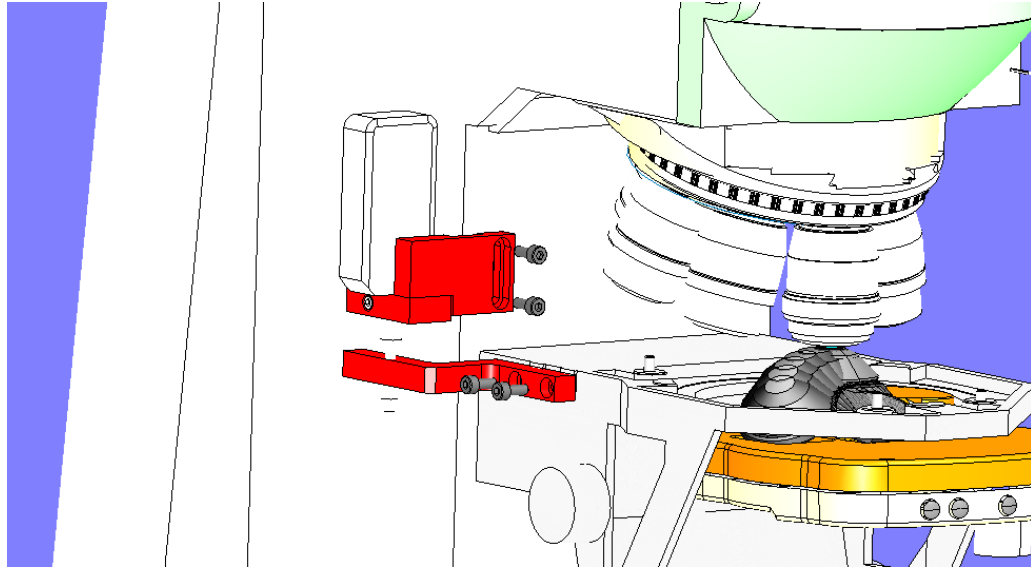
Step 4

Take two of the M4x10 Socket head screws and secure the Activating Bracket onto the side of the stage carrier.



Step 5

Finally attached the mounting bracket to the microscope with the remaining 2 M4x10 Socket head screws.



Step 6

Once the encoder is mounted, the probe height should be adjusted as best as possible so the probe tip stays in contact with the Activating bracket as the stage moves. It is important to not put excessive force on the probe tip when moving the stage towards the upper limit, please watch the travel range of the probe. The probe should not reach its maximum travel, or be fully compressed when the stage is in upper most focus position.