

Installing PureFocus 850 (PF850/PF850M) on Openstand microscope



LF335

UNITED KINGDOM

Prior Scientific Instruments Ltd.
3-4 Fielding Industrial Estate,
Wilbraham Road, Fulbourn,
Cambridge, CB21 5ET,
United Kingdom
T +44 (0)1223 881711
E uksales@prior.com

U.S.A.

Prior Scientific Inc.
80 Reservoir Drive
Rockland MA 02370
U.S.A
T +1 781-878-8442
E info@prior.com

GERMANY

Prior Scientific
Instruments GmbH
Maria-Pawlowna-Str. 4
D-07743
Jena, Germany
T +49 (0) 3641 24 20 10
E jena@prior.com

JAPAN

Prior Scientific KK
Kayabacho 3rd Nagaoka Bldg
10F, 2-7-10, Nihonbashi
Kayabacho, Chuo-Ku, Tokyo,
103-0025, Japan
T +81-3-5652-8831
E info-japan@prior.com

CHINA

Prior Scientific
Instruments (Suzhou) Ltd.
509 Tayun Plaza,
188 Tayun Road
Suzhou, 215000, China
T +86 (0)512 6617 5866
E info-china@prior.com

Contents

Introduction	2
Health and Safety Information	2
Section 1: Preparing for installation on Openstand microscope	2
Installing the PF850/PF850M head using the LF335 flange on objective arm with 40mm Z travel	2
Attaching the PF850 head on the Binocular arm on the Openstand with 40mm Z travel	3
Attaching the PF850 head on the Binocular arm on the Openstand with 20mm Z travel	4
Section 2: Installing the Purefocus 850 controller	5

Introduction

The aim of this document is to provide a step-by step guide for installing PF850 head on the Openstand microscopes. Installation kit required for Openstand microscopes is LF335.

Health and Safety Information

Please refer to the microscope Health & Safety information when disassembling the microscope. Please refer to PF850 manual on Health & Safety information when installing the PF850/PF850M unit onto the microscope.

Section 1: Preparing for installation on Openstand microscope

Please ensure the focus block is moved down so there is enough space between the binocular arm and the objective arm. The Openstand is now prepared for installation of PF850/PF850M head.

There are 2 ways to mount the PF850 head on the Openstand with 40mm travel. Attaching the PF850 head on the objective arm or the binocular arm. Openstand with 20mm Z travel will require a spacer to attach the PF850 head.

Installing the PF850/PF850M head using the LF335 flange on objective arm with 40mm Z travel

Part description	Quantity
LF335 flange – LF522 (upper dovetail flange) and LF523 (lower dovetail flange)	2 flanges
T123 - M3 X 10mm screw	3
T173 - M3 X 6mm screw	3
1.5mm Allen key	1
T91 – M3 x 6mm screw	1

1. Attach the lower dovetail onto the bottom of the PF850/PF850M using the 3 x T173 screws (as shown on the top)
2. Attach the LF522 (Upper dovetail flange) on the objective arm using the 3 x T123 screws (as shown at the bottom)
3. Secure the PF850 by tightening the T91 screw on the upper dovetail (as circled on the picture)

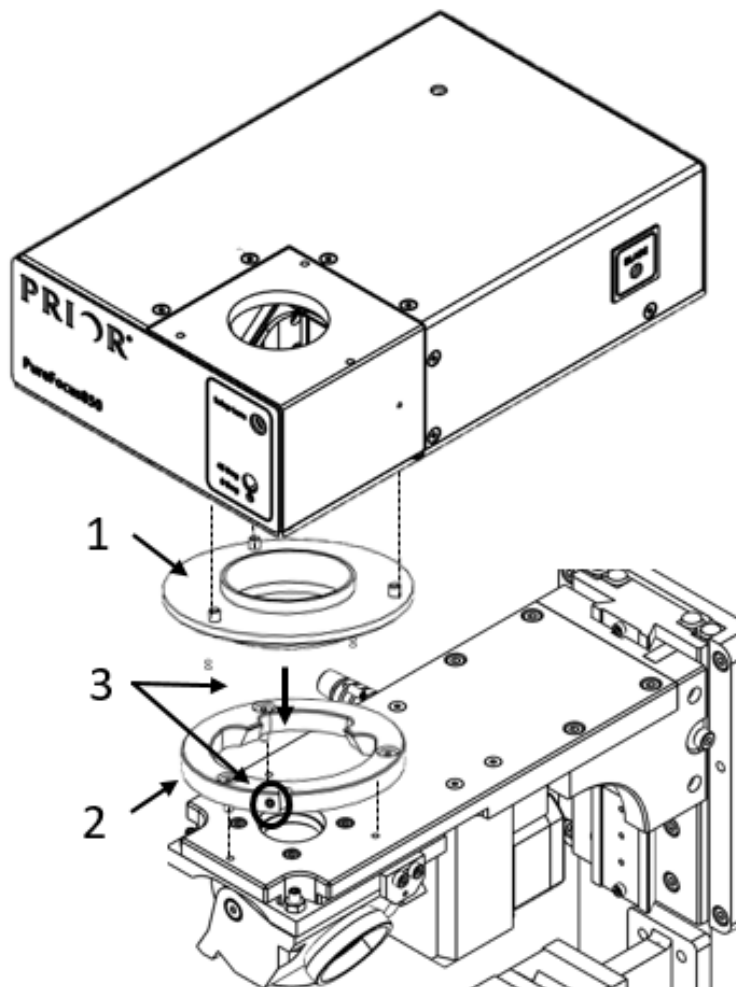


Figure 1 : Fitting LF335 onto the Openstand with 40mm Z travel

Attaching the PF850 head on the Binocular arm on the Openstand with 40mm Z travel

1. Attach the lower dovetail under the binocular arm using the 3 x T173 screws.
2. Attach the LF522 (Upper dovetail flange) on the PF850/PF850M head using the 3 x T123 screws.
3. Secure the PF850 head by tightening the T91 screw on the upper dovetail (as circled on Fig 2)

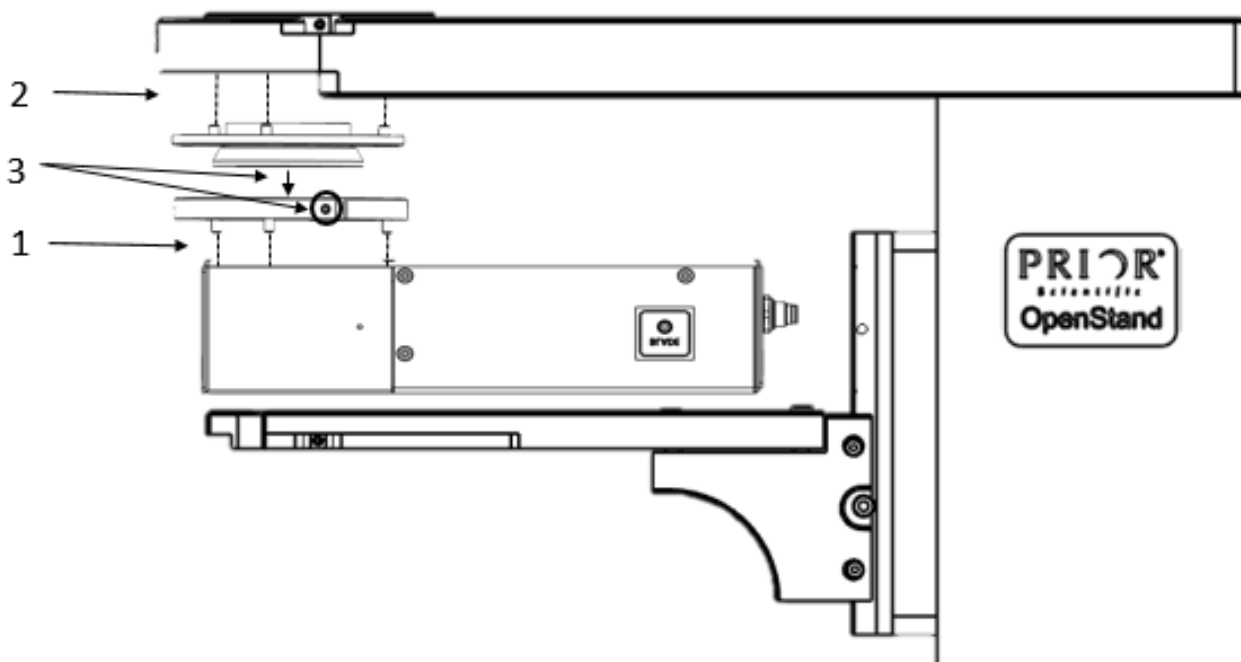


Figure 2 : Fitting LF335 onto the binocular arm on the OpenStand with 40mm Z travel

Attaching the PF850 head on the Binocular arm on the OpenStand with 20mm Z travel

To fit the PF850 head on to the OpenStand with 20mm Z travel range you would require a spacer. To attach the spacer please follow the instructions below:

Part description	Quantity
LF335 flange – LF522 (upper dovetail flange) and LF523 (lower dovetail flange)	2
T123 - M3 X 10mm screw	3
T173 - M3 X 6mm screw	3
1.5mm Allen key	1
T91 – M3 x 6mm screw	1
H6100 – Openstand Purefocus extrusion spacer	1
T260 – M5 x 70mm Screw Cap head	4

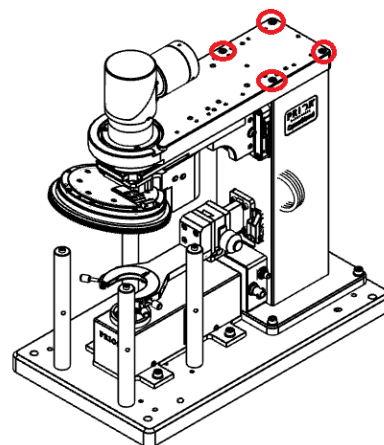


Figure 3 : Removing the binocular arm

1. Please remove the 4 x M5 screws (circled in red in Fig 3) on the binocular arm. Ensure one of them hold the binocular arm while the other remove the screws.
2. Align the spacer on top of the frame and place the binocular arm on top of the spacer so that the dowel pins are inserted properly. Screw the spacer and binocular arm to the frame using T260 (M5 x 70mm) screws (as shown in Fig 4).

3. Ensure there is enough space to insert the PF850 head between the nosepiece dovetail and the binocular arm. If there isn't enough space move the Z focus down using the digipot or via software. Please refer to our PF850 manual.
4. Attach the lower dovetail onto the bottom of the PF850/PF850M using the 3 x T173 screws (as shown on Fig 1)
5. Attach the LF522 (Upper dovetail flange) on the objective arm using the 3 x T123 screws (as shown on Fig 1)
6. Secure the PF850 by tightening the T91 screw on the upper dovetail (as circled on Fig 1)

4 x T260 (M5 x 70mm) screws

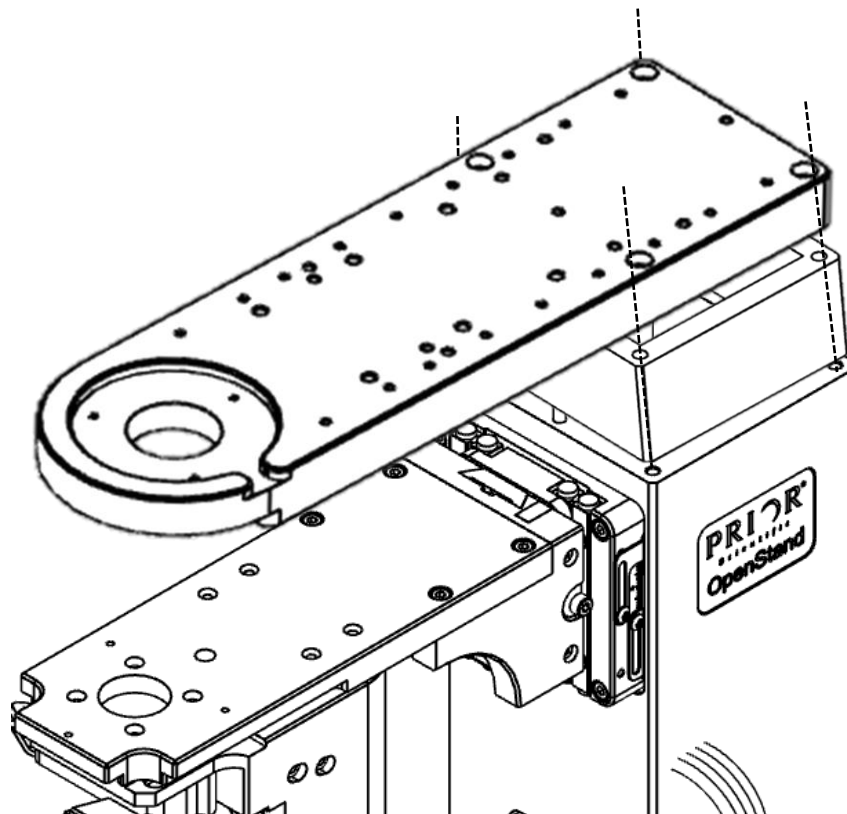


Figure 4: Fitting the spacer with the binocular arm

Section 2: Installing the Purefocus 850 controller

To connect the Purefocus 850 controller please refer to PF850 manual, which is available to download from <https://www.prior.com/customer-support/customer-downloads>. The full optical alignment and setup procedure can be found in the PF850 manual.