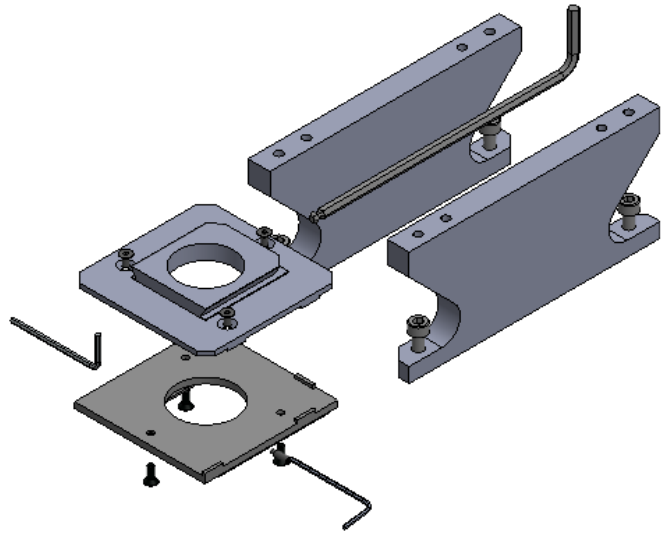


Installing Purefocus 850 (PF850/PF850M) on Olympus Upright microscopes



LF335



PF210

UNITED KINGDOM

Prior Scientific Instruments Ltd.
3-4 Fielding Industrial Estate,
Wilbraham Road, Fulbourn,
Cambridge, CB21 5ET,
United Kingdom
T +44 (0)1223 881711
E uksales@prior.com

U.S.A.

Prior Scientific Inc.
80 Reservoir Drive
Rockland MA 02370
U.S.A.
T +1 781-878-8442
E info@prior.com

GERMANY

Prior Scientific
Instruments GmbH
Maria-Pawlowna-Str. 4
D-07743
Jena, Germany
T +49 (0) 3641 24 20 10
E jena@prior.com

JAPAN

Prior Scientific KK
Kayabacho 3rd Nagaoka Bldg
10F, 2-7-10, Nihonbashi
Kayabacho, Chuo-Ku, Tokyo,
103-0025, Japan
T +81-3-5652-8831
E info-japan@prior.com

CHINA

Prior Scientific
Instruments (Suzhou) Ltd.
509 Tayun Plaza,
188 Tayun Road
Suzhou, 215000, China
T +86 (0)512 6617 5866
E info-china@prior.com

Contents

Introduction	2
Health and Safety Information	2
Section 1: Preparing to install PF850/PF850M on Upright BX microscopes	2
Installing the PF850/PF850M using the LF335 flanges	2
Section 2: Preparing to install PF850/PF850M on Upright BX41/43/51/53/63 microscopes with fluorescence turret	3
Installing the PF850/PF850M head using the PF210 flanges	4
Section 3: Installing the Purefocus 850 controller	5

Introduction

The aim of this document is to provide a step-by step guide for installing PF850 head on the Olympus Upright microscopes. Installation kit required for Olympus BX and Olympus BX with turret are LF335, PF210 respectively.

Health and Safety Information

Please refer to the microscope Health & Safety information when disassembling the microscope. Please refer to PF850 manual on Health & Safety information when installing the PF850/PF850M unit onto the microscope.

Section 1: Preparing to install PF850/PF850M on Upright BX microscopes.

Please remove the eyepiece from the microscope by unbolting the grub screw on the objective arm dovetail and place it in a safe area.

Installing the PF850/PF850M using the LF335 flanges

Part description	Quantity
LF335 flange – LF522 (upper dovetail flange) and LF523 (lower dovetail flange)	2 flanges
T123 - M3 X 10mm screw	3
T173 - M3 X 6mm screw	3
1.5mm Allen key	1
T91 – M3 x 6mm screw	1

1. Attach the lower dovetail (LF523) onto the bottom of the PF850/PF850M head using the 3 x T173 screws.
2. Attach the PF850 to the microscope objective arm dovetail and secure it tightly using grub screw provided on the microscope (as circled in Fig 1).
3. Attach the Upper dovetail flange (LF522) on top of the PF850 /PF850M head using the 3 x T123 screws (as shown in Fig 1).
4. Secure the eyepiece by tightening the T91 screw on the upper dovetail (as circled in Fig 1).

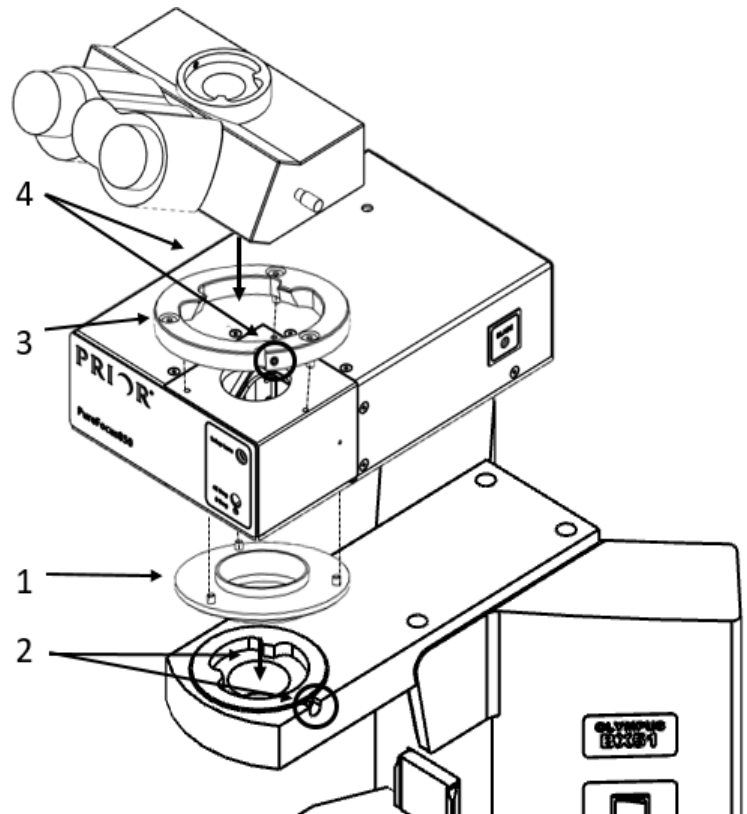


Figure 1: Installing PF850 onto Olympus BX microscope using LF335.

Section 2: Preparing to install PF850/PF850M on Upright BX41/43/51/53/63 microscopes with fluorescence turret.

Please remove the eyepiece and the fluorescence turret from the microscope by unbolting the four screws (as circled in Fig 2). Please keep the screws, turret and eyepiece at a safe area.

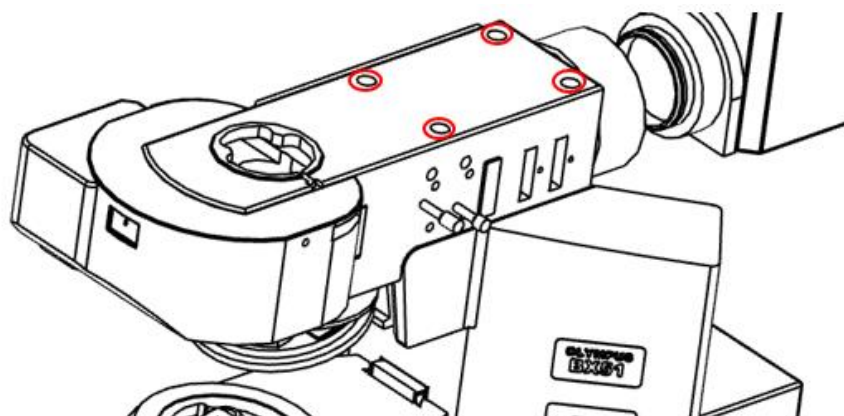


Figure 2: Removing filter turret from Olympus BX microscope

Installing the PF850/PF850M head using the PF210 flanges

Part description	Quantity
PF210 flange – PF551 (upper dovetail flange), PF552 (lower dovetail flange) and PF553 (spacers)	2 flanges
T235 - M3 X 8mm screw	3
T237 – M5 X 16mm screw	4
T173 – M3 x 6mm screw	3
2mm Allen key	1
4mm Allen key	1
1.5 mm Allen key	
T91 – M3 x 10mm screw	1

1. Attach the lower dovetail flange and upper dovetail flange at the bottom of the PF850 Head and top of the PF850 head respectively with 3 x T235 screws and 3 x T173 screws using 2mm Allen key respectively (as shown in Fig 3).
2. Slide the lower dovetail onto the objective dovetail on the microscope and secure it with fastening the T91 screw on the lower dovetail.
3. Attach the two spacers on either side of the microscope body with 4 x T237 screws using 4mm Allen key.

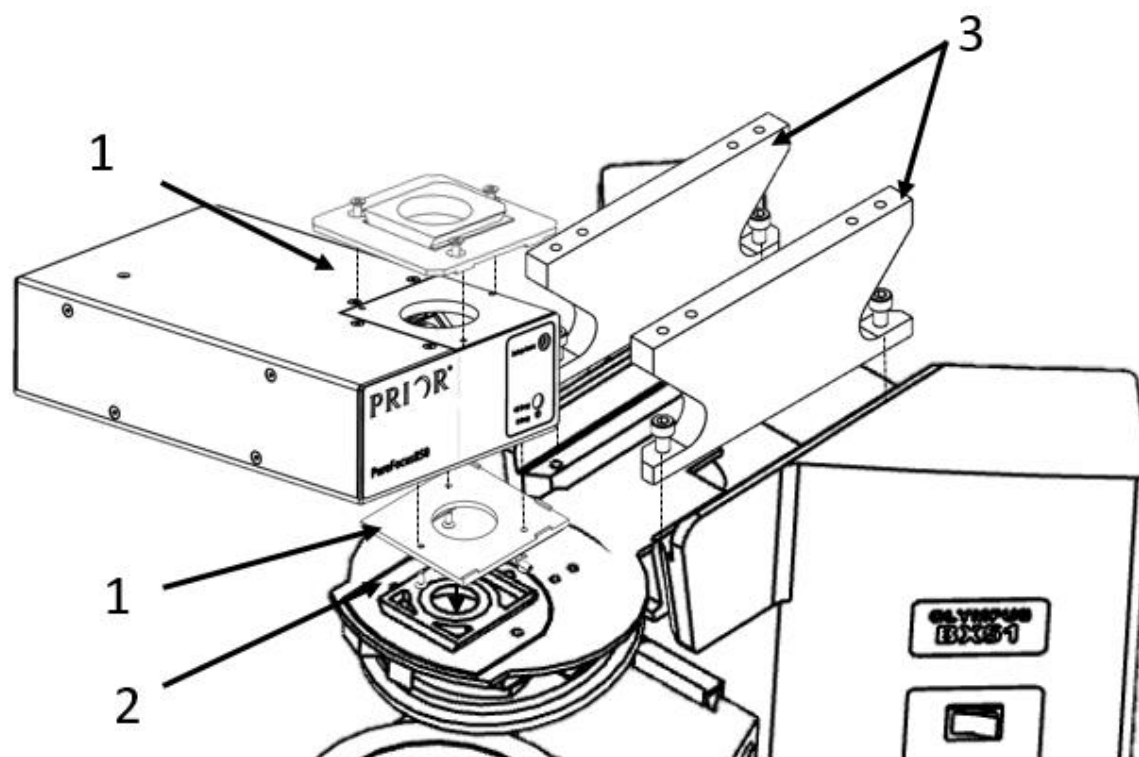


Figure 3: Attaching PF210 onto Olympus BX microscope with filter turret

4. Slide the fluorescence turret on the upper dovetail flange (PF551) and fasten it using the grub screw on the fluorescence turret. Fasten the screws on the turret onto the spacers as shown in Fig 4.
5. Finally, attach the eyepiece.

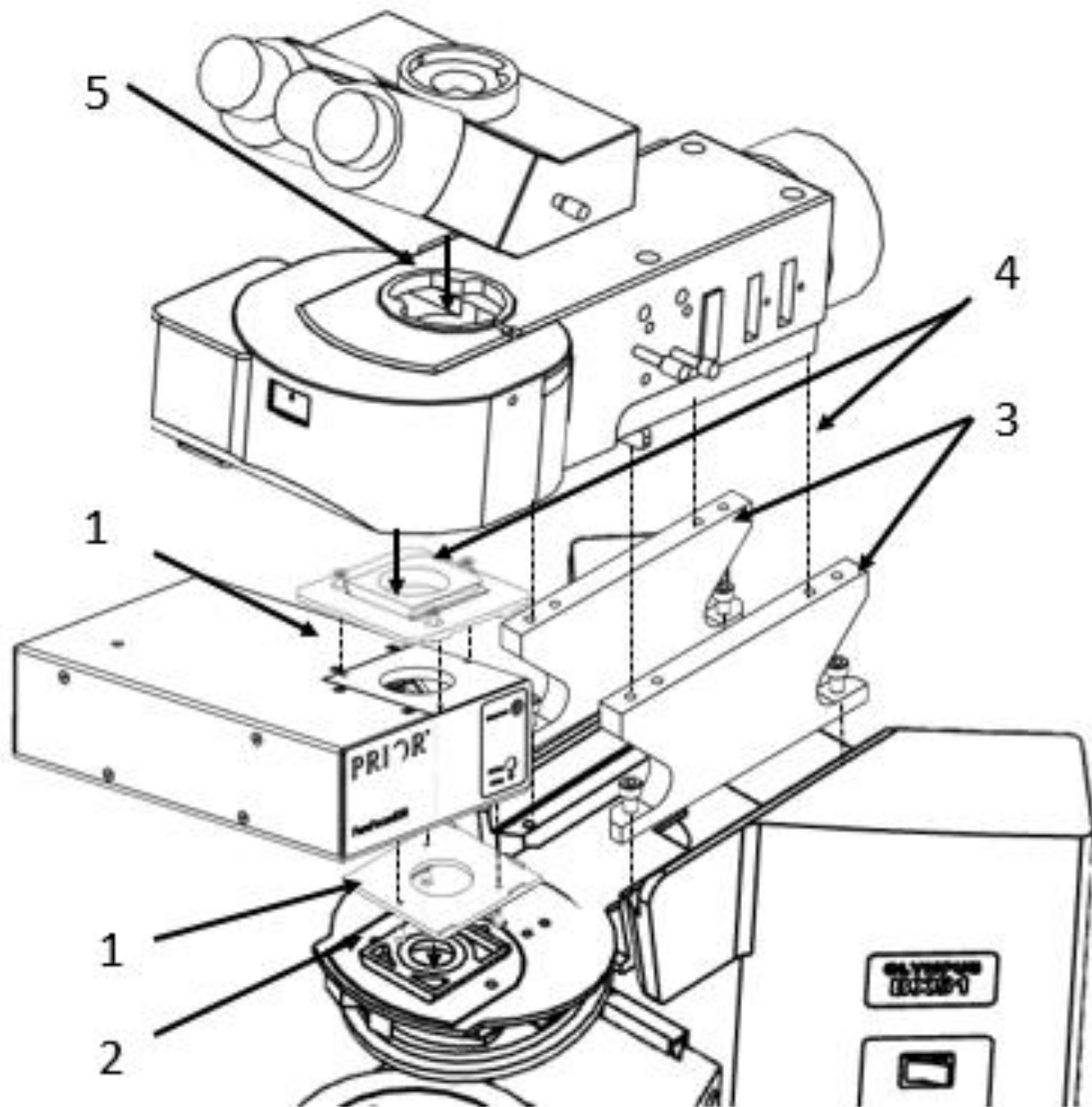


Figure 4: Attaching the Filter turret and the eyepiece on top.

Section 3: Installing the Purefocus 850 controller.

To connect the Purefocus 850 controller please refer to PF850 manual, which is available to download from <https://www.prior.com/customer-support/customer-downloads>. The full optical alignment and setup procedure can be found in the PF850 manual.