

Installing PureFocus 850 (PF850/PF850M) on Nikon Upright microscopes



LF320

UNITED KINGDOM

Prior Scientific Instruments Ltd.
3-4 Fielding Industrial Estate,
Wilbraham Road, Fulbourn,
Cambridge, CB21 5ET,
United Kingdom
T +44 (0)1223 881711
E uksales@prior.com

U.S.A.

Prior Scientific Inc.
80 Reservoir Drive
Rockland MA 02370
U.S.A.
T +1 781-878-8442
E info@prior.com

GERMANY

Prior Scientific
Instruments GmbH
Maria-Pawlowna-Str. 4
D-07743
Jena, Germany
T +49 (0) 3641 24 20 10
E Jena@prior.com

JAPAN

Prior Scientific KK
Kayabacho 3rd Nagaoka Bldg
10F, 2-7-10, Nihonbashi
Kayabacho, Chuo-Ku, Tokyo,
103-0025, Japan
T +81-3-5652-8831
E info-japan@prior.com

CHINA

Prior Scientific
Instruments (Suzhou) Ltd.
509 Tayun Plaza,
188 Tayun Road
Suzhou, 215000, China
T +86 (0)512 6617 5866
E info-china@prior.com

Contents

Introduction	2
Health and Safety Information	2
Section 1: Preparing installation with Nikon Upright microscopes (Ci-U, 80i, 90i, 50i, Ni-U)	2
Installing the PF850/PF850M using the LF320 flanges	2
Section 2: Preparing installation with Nikon L200 microscope	3
Installing the PF850/PF850M using the LF320 flanges	3
Section 3: Installing the Purefocus 850 controller	4

Introduction

The aim of this document is to provide a step-by step guide for installing PF850 head on the and Nikon Upright microscopes. Installation kit required for Nikon upright microscopes is LF320.

Health and Safety Information

Please refer to the microscope Health & Safety information when disassembling the microscope. Please refer to PF850 manual on Health & Safety information when installing the PF850/PF850M unit onto the microscope.

Section 1: Preparing installation with Nikon Upright microscopes (Ci-U, 80i, 90i, 50i, Ni-U)

Please remove the eyepiece from the microscope by unbolting the grub screw on the objective arm dovetail and place it in a safe area.

Installing the PF850/PF850M using the LF320 flanges

Part description	Quantity
LF320 flange – LF526 (upper dovetail flange) and LF527 (lower dovetail flange)	2 flanges
T123 - M3 X 10mm screw	3
T173 - M3 X 6mm screw	3
1.5mm Allen key	1
T91 – M3 x 6mm screw	1

1. Attach the lower dovetail (LF527) onto the bottom of the PF850/PF850M using the 3 x T173 screws (as shown on Fig 1).
2. Attach the PF850 to the microscope objective arm dovetail and secure it tightly using grub screw provided on the microscope. (as circled in Fig 1)
3. Attach the LF526 (Upper dovetail flange) on top of the PF850 using the 3 x T123 screws (as shown in Fig 1)
4. Secure the eyepiece by tightening the T91 screw on the upper dovetail (as circled on the picture)

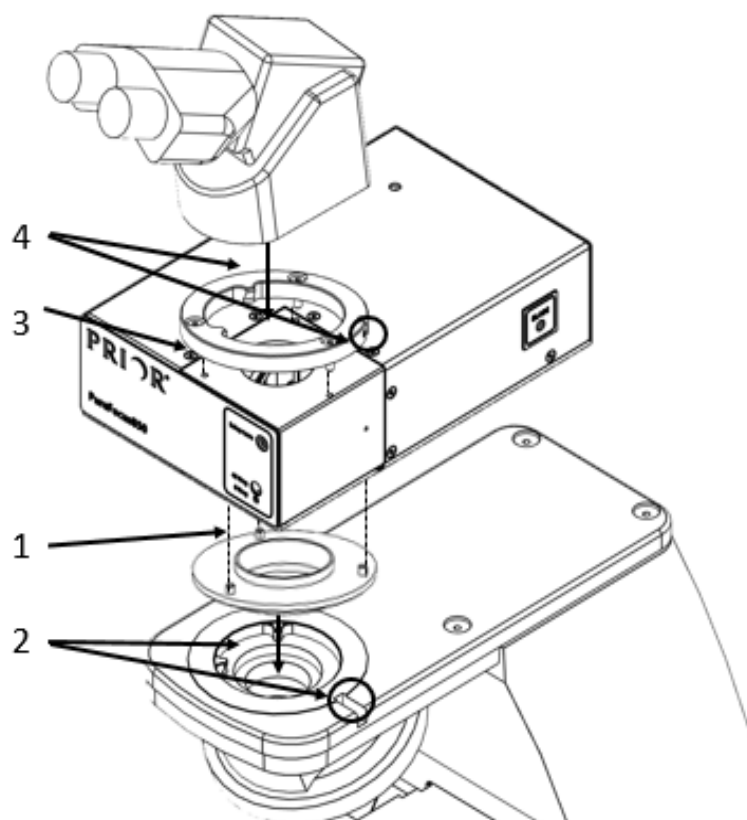


Fig 1: Installing LF320 onto the Nikon upright microscopes

Section 2: Preparing installation with Nikon L200 microscope

Please remove the eyepiece from the microscope by unbolting the grub screw on the objective arm dovetail and place it in a safe area.

Installing the PF850/PF850M using the LF320 flanges

Part description	Quantity
LF320 flange – LF526 (upper dovetail flange) and LF527 (lower dovetail flange)	2 flanges
T123 - M3 X 10mm screw	3
T173 - M3 X 6mm screw	3
1.5mm Allen key	1
T91 – M3 x 6mm screw	1

1. Attach the lower dovetail (LF527) onto the bottom of the PF850/PF850M using the 3 x T173 screws (as shown on Fig 2).
2. Attach the PF850 to the microscope objective arm dovetail and secure it tightly using grub screw provided on the microscope. (as circled in Fig 2)
3. Attach the LF526 (Upper dovetail flange) on top of the PF850 using the 3 x T123 screws (as shown in Fig 2)
4. Secure the eyepiece by tightening the T91 screw on the upper dovetail (as circled on Fig 2)

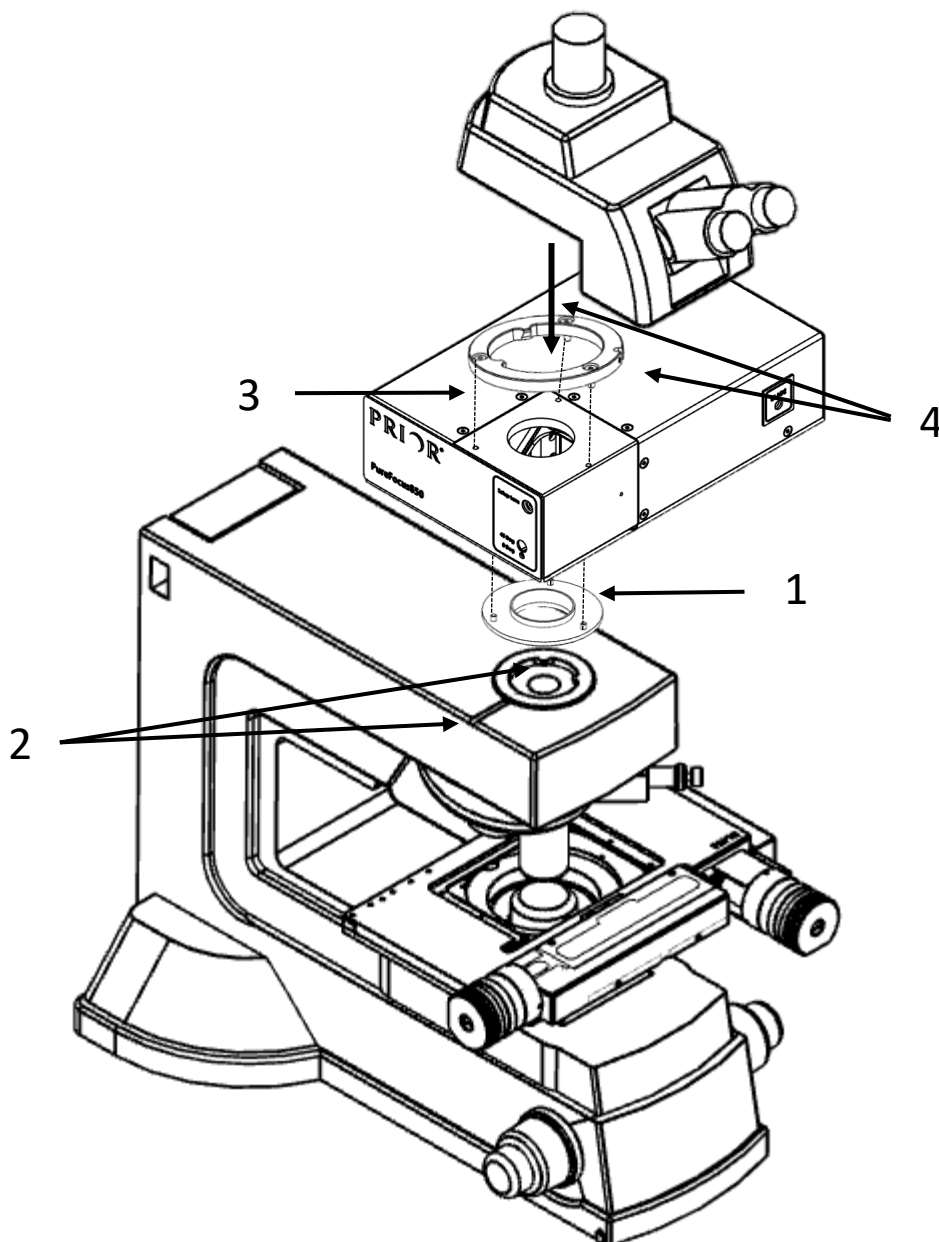


Fig 2: Installing LF320 onto the Nikon L200 microscope

Section 3: Installing the Purefocus 850 controller

To connect the Purefocus 850 controller please refer to PF850 manual, which is available to download from <https://www.prior.com/customer-support/customer-downloads>. The full optical alignment and setup procedure can be found in the PF850 manual.