

Nikon Ti laser safety adapter kit QGSPADAPT1-TI-LSC

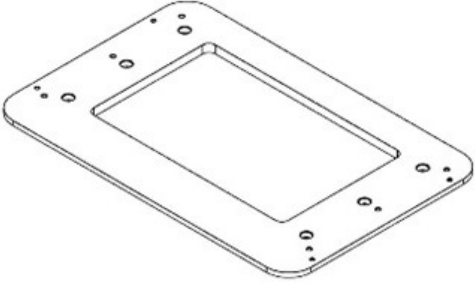
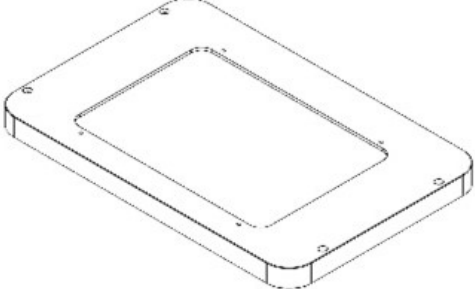
Overview

This installation note describes the installation procedure for the Prior Queensgate SP Series (SP200/SP400/SP600/SP800) on to a Nikon Ti ECLIPSE with the Nikon Laser Safety Cover (TI-TIRF-LSC).

The standard LSC adapter kit will only fit the standard Nikon XY motorized stage. If using a Prior H117 or HLD117 XY stage please contact Prior technical support.

These notes are for adapting the Nikon cover. Please check Nikon support material for the safe use and installation of the Nikon LSC device.

Contents of Kit

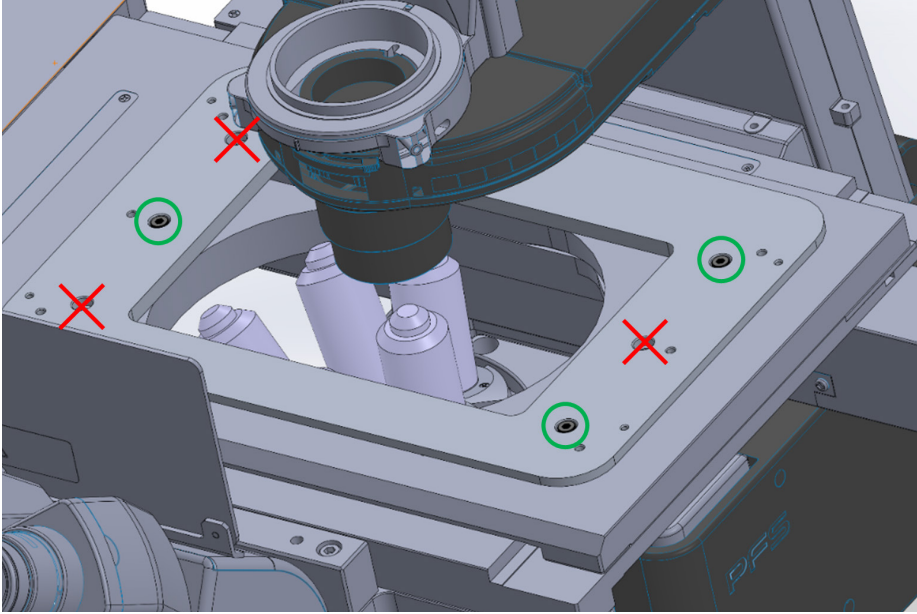
Part number	Description	Quantity
QG-0543-DP-100001	Stage Plate Adapter 	1
QG-0543-DP-100002	Piezo Laser Safety Adapter 	1
QGT65	M4 x 8 Cap Head Screw	6
QG-0543-SK-100003	M3 x 18 Cap Head Screw	4
QG-0543-SK-100002	M3 x 14 Cap Head Screw	4

Installation

Step 1: Installation of stage plate adapter

The stage plate adapter QG-0543-DP-100001 can be mounted either way around depending on the preferred cable exit direction of the piezo stage.

Install using 3 x T65 (M4 x 8 Cap Head) screws provided where threaded holes are available in the Nikon XY stage. Depending on the orientation, three holes will not have threads underneath - these do not require screws.

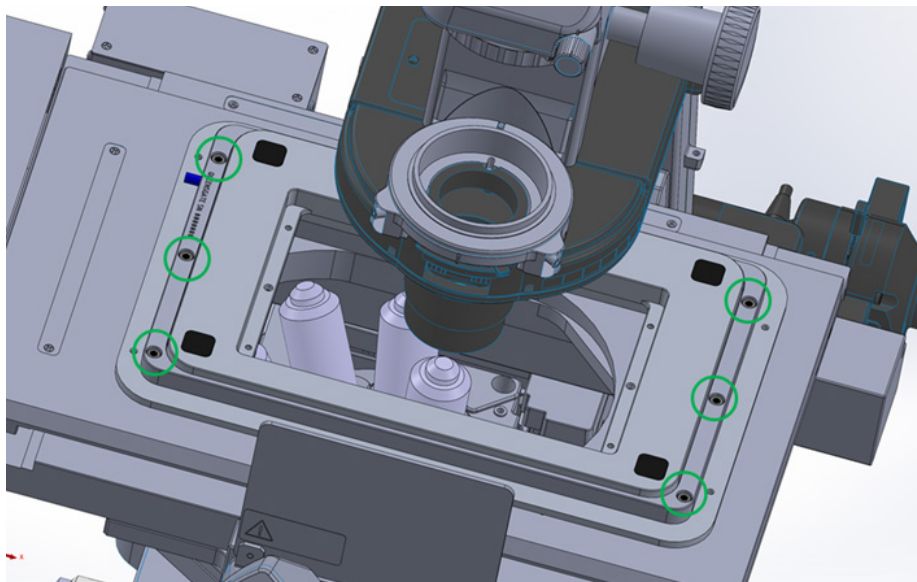


Step 2: Installation of SP Series piezo stage

Important: Please refer to the NanoScan SP Series Quick Start Instructions document before beginning this step.

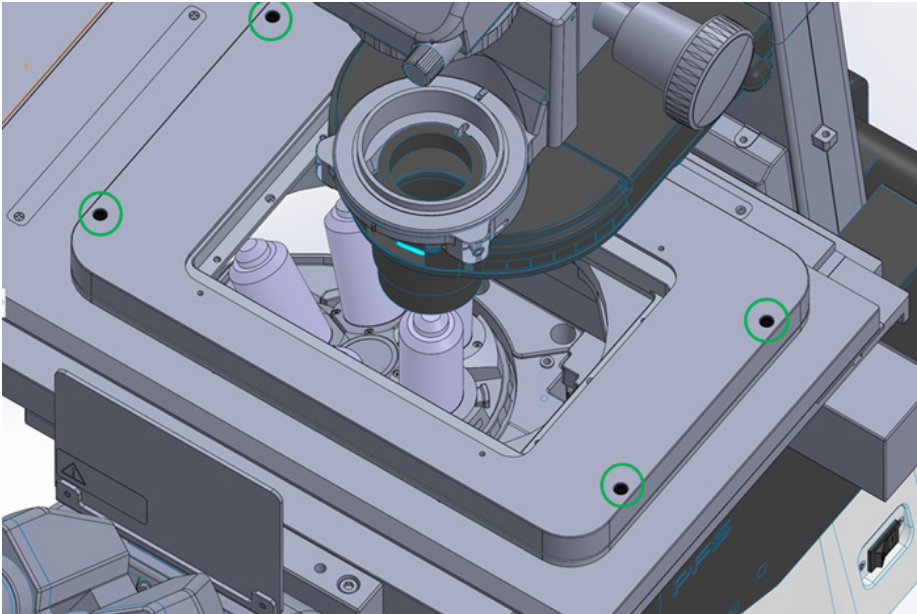
Install the piezo stage on to the piezo adapter plate using 6 x T65 (M4 x 8 Cap Head) screws that are provided with the stage (see image below). Next install a sample holder, such as the universal holder QGSP302XR, following the instructions in the quick start guide.

Note: Sample holders can be installed or removed after the laser safety cover installation is complete, if required.

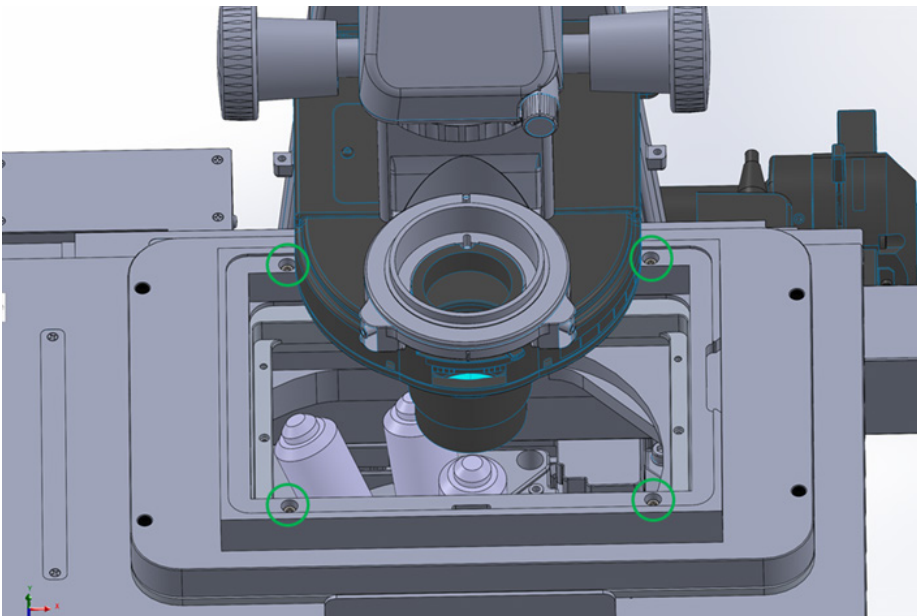


Step 3: Installation of laser safety adapter and Nikon Laser Safety Cover

Install the piezo laser safety adapter using 4 x QG-0543-SK-100003 (M3 x 18 Cap Head Screws).

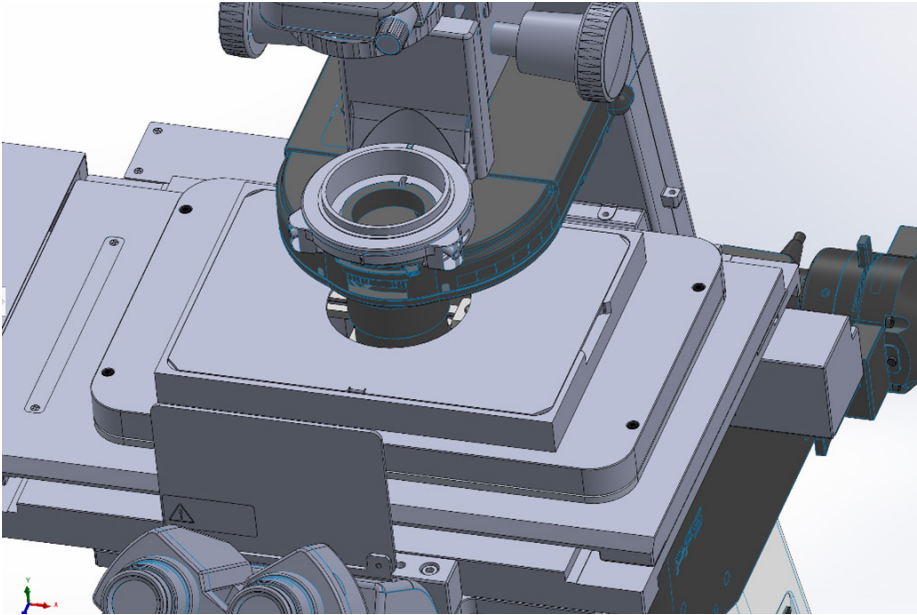


Install the base of the Nikon LSC using 4 x QG-0543-SK-100002 (M3 x 14 Cap Head Screws).



Caution: Use of incorrect length screws to install the Nikon LSC on to the piezo laser safety adapter could result in incorrect operation or damage to the piezo stage.

Raise the condenser install sample holder if not already installed. Add the laser safety cover lid.



Installation of the Nikon TI laser safety adapter kit QGSPADAPT1-TI-LSC is now complete.

UNITED KINGDOM

Prior Scientific Instruments Ltd.
Units 3-4 Fielding Industrial Estate
Wilbraham Road, Fulbourn
Cambridge, CB21 5ET
United Kingdom
Email: inquiries@prior.com
Phone: +44 (0)1223 881711

U.S.A.

Prior Scientific, Inc.
80 Reservoir Park Drive
Rockland, MA. 02370
U.S.A.
Email: info@prior.com
Phone: +1 781 878 8442

GERMANY

Prior Scientific Instruments GmbH
Maria-Pawlowna-Str. 4
D-07743, Jena, Germany
Email: jena@prior.com
Phone: +49 (0)3641 242 010

JAPAN

Kayabacho 3rd Nagaoka Bldg 10F,
2-7-10, Nihonbashi Kayabacho, Chuo-Ku,
Tokyo103-0025, Japan
Email: info-japan@prior.com
Phone: +81 (0)3 5652 8831

CHINA

Prior Scientific Instruments (Suzhou) Ltd.
Room 118, Meilihua Hemu Park
No. 393 Suhong Middle Road, Suzhou Industrial Park
Suzhou, 215000, China
Email: info-china@prior.com
Phone: +86 (0)512 6617 5866

