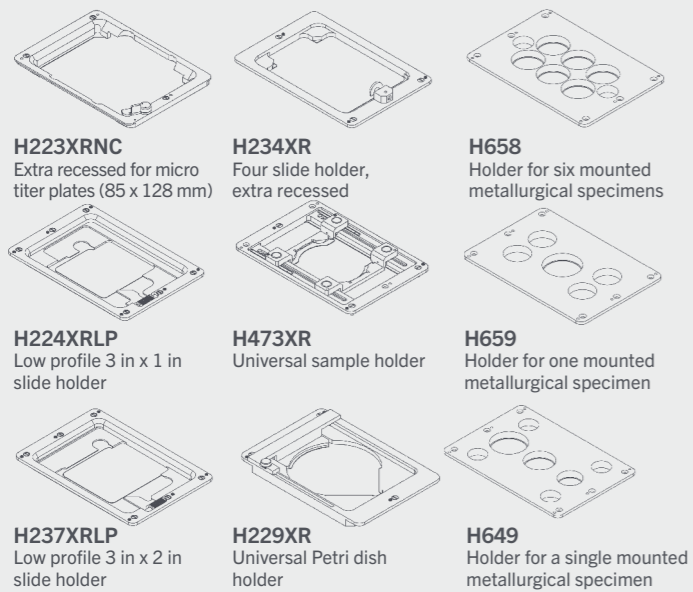
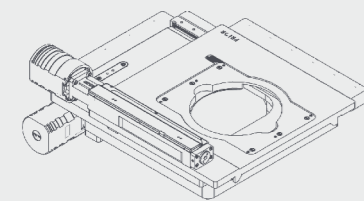


# Nikon MA200 configuration chart

## 6 Sample holders

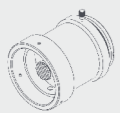


## 1 Stages



**H117N1M4, H117E1M4**  
ProScan inverted stage

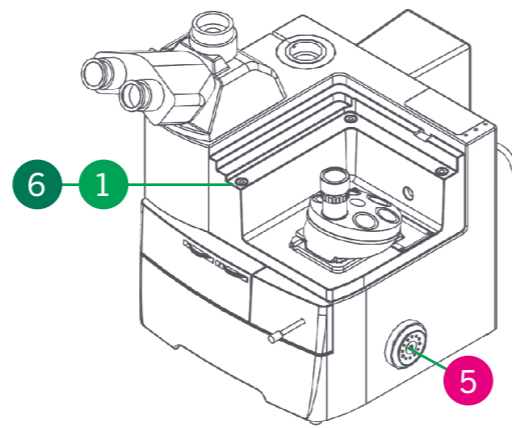
## 5 Motorized focus



**PS3H122R**  
Generic focus drive and adapter



**H3273**  
Focus sleeve



# Nikon MA200 configuration guide

The MA200 is an advanced inverted materials microscope. Prior can offer multiple high-end upgrades for this microscope. The MA100N is a smaller format inverted materials microscope. Prior Scientific can offer motorized focus and lower end motorized stage upgrades for this microscope,

## Motorized XY stages and sample holders

All the sample holders listed are compatible with the H117N1M4 and H117E1M4. For the MA100, only an Optiscan system based around the ES107NTS stage (not shown) can be fitted to this microscope. The sample holders listed here are not compatible with this stage; contact Prior Scientific and your system will be configured with recessed (-R) rather than extra recessed (-XR) sample holders.

Part	Description
H117N1M4	ProScan inverted stage, non encoded, 1 mm pitch, 400 step, Nikon ma200
H117E1M4	ProScan inverted stage, encoded, 1 mm pitch, 400 step, Nikon ma200
H473XR	Universal sample holder (slides, Petri dishes, small flasks), extra recessed
H224XRLP	Low profile 3 in x 1 in slide holder, extra recessed
H229XR	Universal Petri dish holder, extra recessed
H234XR	Four 3 in x 1 in slide holder, extra recessed
H23X200	200 ml flask holder (Greiner)
H237XRLP	Low profile 3 in x 2 in slide holder, extra recessed
H229D35XR-6	Holder for 6 x 35 mm Petri dishes
H649	Holder for a single 1 in, 1.25 in and 1.5 in mounted metallurgical specimen
H657	Holder for one mounted metallurgical specimen, 2 in diameter
H658	Holder for six mounted metallurgical specimens, 1.25 in diameter
H659	Holder for one mounted metallurgical specimen, 15 in diameter with 1, 2, 4, or 8 chambers

## Motorized focus

The PS3H122R plus H3273 combination is required to drive the fine focus knob of the MA200 and MA100 microscopes. The coarse focus will not be motorized.

Part	Description
PS3H122R	Generic focus drive and adapter with rotating cable system preventing cable twisting
H3273	IX focus sleeve.