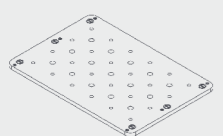
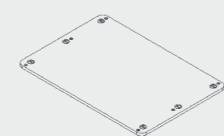
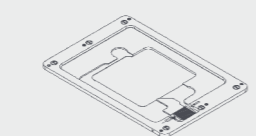
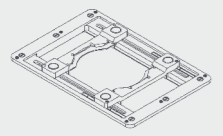
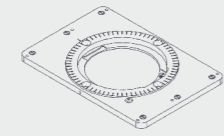
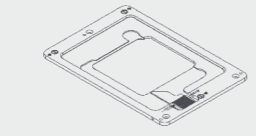
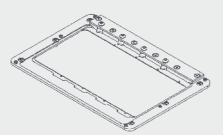
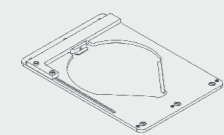





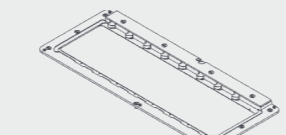
Nikon LV100/LV150 configuration chart

See the following pages for more product information.

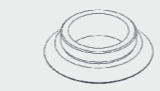
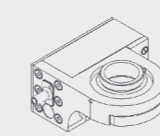

6 Sample holders

 H230B Breadboard insert plate	 H230 Solid stage plate	 H224LP Low profile 3 in x 1 in slide holder
 H473UP Universal sample holder	 H224ROT 3 in x 1 in manual rotating slide holder	 H237LP Low profile 3 in x 1 in slide holder
 H234LP Low profile, four 3 in x 1 in slide holder	 H229UP Universal Petri dish holder	 H3848 Low profile slide holder adapter kit

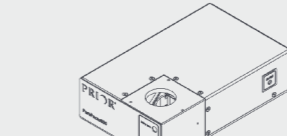

6 Sample holders

 H239 Solid stage plate
 H288 Glass stage plate
 H238LP Low profile eight 3 in x 1 in slide holder

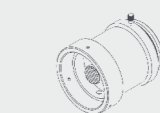

3 Objective positioner

 QG-OP-MIC-M25 QG-OP-MIC-M32 Microscope adapter	 QGOP200-UP-D1 QGOP400-UP-D1 QGOP400-UP-HL-D1 QGOP800-UP-D1 QGOP800-UP-HL-D1
 QG-OP-OBJ-M25 Objective adapter	

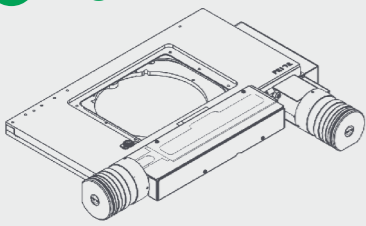
4 Autofocus

 PF850 PF head, controller with digipot power supply
 LF320 PF850 flange set

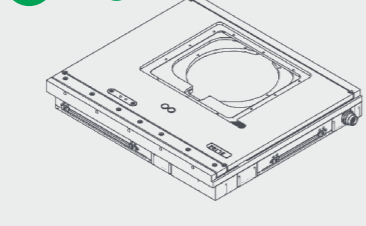
5 Motorized focus

 PS3H122R Generic focus drive and adapter
 H3909 Focus sleeve

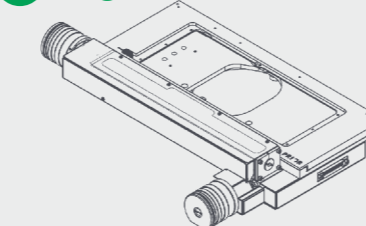
1 Stages

 H101NLV, HE01NLV, H1P4NLV, HEP4NLV ProScan upright stage

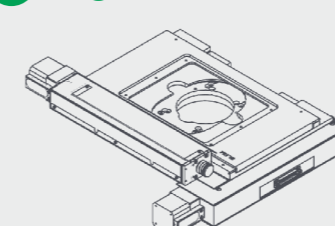
1 Stages

 H101P2NLV, H101E2NLV, H101P1NLV, H101E1NLV ProScan upright stage, flat top

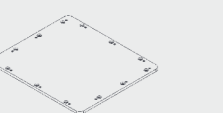
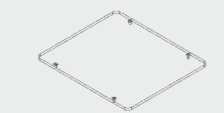
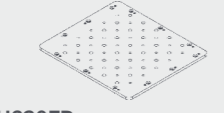
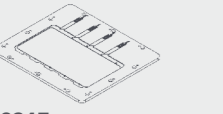
1 Stages

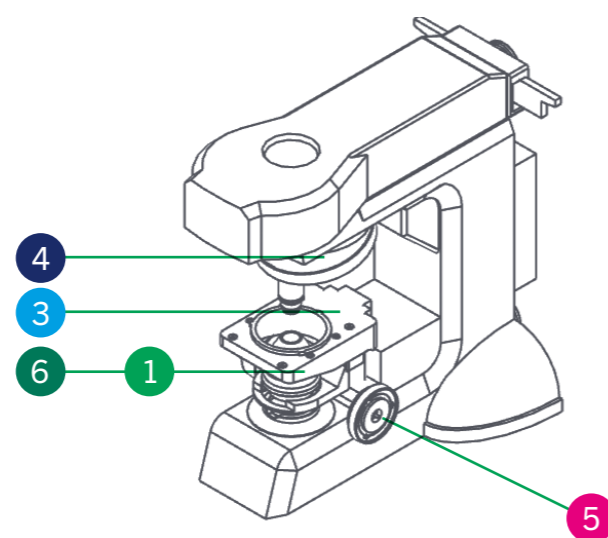
 H138NLV, HE38NLV ProScan upright stage, large format
--

1 Stages

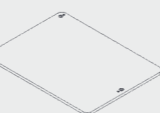



 H105NL/2 Large format wafer scanning XY stages

6 Sample holders

 H230F Pair of stage extension wings	 H220F Pair of stage extension wings
 H224F Pair of stage extension wings	 H230FB Pair of stage extension wings
 H234F Pair of stage extension wings	



6 Sample holders

 H231NL Solid stage plate	 HWC15VNL Wafer chuck rot. and vac. 150 mm
 H227NL Glass stage plate	 HWC15SNL Wafer chuck 4 in and 6 in wafers

Nikon LV100/LV150 configuration guide

The Nikon LV100 and LV150 models are industrial microscopes under the LV-N product line. The LV150N, LV150NL and LV100ND are non-motorized, whereas the LV150NA and LV100NDA are motorized. Base motorization is focused on optics, and Prior Scientific can offer many motorization options for all systems.

Motorized XY stages and sample holders

A large number of stages are compatible with the LV100 and LV150 microscopes. All the sample holders listed in the first section of the above table are compatible with the H101NLV, HE01NLV, H1P4NLV, and HEP4NLV. All the sample holders listed in the second section are compatible with the flat top H101P2NLV, H101E2NLV, H101P1NLV, and H101E1NLV. In addition, sample holders from the first section are compatible with the flat top stage range when combined with the H3848. Flat top stages are recommended for ease of sample loading. The large-format H138NLV and HE38NLV can support up to 8 slides. The H105NL/2 offers up to 6 in x 6 in travel range for semiconductor or other large sample scanning.

Part	Description
H101NLV	ProScan upright stage, part encoded, 2 mm pitch, 200 step, Nikon SS substage
HE01NLV	ProScan upright stage, encoded, 2 mm pitch, 200 step, Nikon SS substage
H1P4NLV	ProScan upright stage, part encoded, 1 mm pitch, 400 step, Nikon SS substage
HEPNLV	ProScan upright stage, encoded, 1 mm pitch, 400 step, Nikon SS substage
H473UP	Universal sample holder (slides, Petri dishes, small flasks), upright
H224LP	Low profile 3 in x 1 in slide holder
H234LP	Low profile, four 3 in x 1 in slide holder
H237LP	Low profile 3 in x 2 in slide holder
H229UP	Universal Petri dish holder, upright stages, up to 90 mm diameter
H230	Solid stage plate, H101A stages
H224ROT	3 in x 1 in manual rotating slide holder
H230B	Breadboard insert plate M4 & M6 (H101)
H220	H101 glass stage plate assy

Large Format XY motorized stages and sample holders

Part	Description
H138NLV	ProScan upright stage, part encoded, 2 mm pitch, 200 step, for up to 8 slides, Nikon SS substage
HE38NLV	ProScan upright stage, encoded, 2 mm pitch, 200 step, for up to 8 slides, Nikon SS substage
H238LP	Low profile eight 3 in x 1 in slide holder
H238PLP	Low profile eight 3 in x 1 in slide holder, part recessed
H239	Solid stage plate, H138 stages
H288	Glass stage plate, H138 stages

Flat top XY motorized stages and sample holders

Part	Description
H101P2NLV	Proscan upright stage, flat top, 2 mm pitch, 200 step, Nikon SS substage
H101E2NLV	Proscan upright stage, flat top, encoded, 2 mm pitch, 200 step, Nikon SS substage
H101P1NLV	Proscan upright stage, flat top, 1 mm pitch, 200 step, Nikon SS substage
H101E1NLV	Proscan upright stage, flat top, encoded, 1 mm pitch, 200 step, Nikon SS substage
H3848	Low profile slide holder adapter kit for H101F
H230F	Solid stage plate, H101F stages
H224F	Low profile 3 in x 1 in slide holder, extended, H101F stages
H234F	Four 3 in x 1 in slide holder, H101F stages
H220F	Glass stage plate, H101F stages
H230FB	Breadboard stage insert assembly (H101F)

Large format wafer scanning XY stages and sample holders

Part	Description
H105NL/2	H105NL stage, 2 mm pitch
H227NL	Glass stage plate, H105NL stages
H231NL	Solid stage plate, H105NL stages
HWC15SNL	Wafer chuck 4 in and 6 in wafers
HWC15VNL	Wafer chuck rot. and vac. 150 mm

Objective positioners and adapters

When ordering, ensure the correct part number is used to specify inverted calibration. Objective positioners require a threaded adapter to fit the microscope nosepiece and the microscope objective. Nikon LV100 and LV150 microscopes use M25 or M32 threads depending on the nosepiece fitted. Some LV100 and LV150 nosepieces have a raised lip surrounding the objective positions, which may clash with the objective positioner; a 15mm spacer can be added to clear the lip. Please note that the two objective positions adjacent to the objective positioner will not be usable due to space constraints; additional positions may be unusable on smaller nosepieces. A high load calibration is available for specialist heavy objectives. Prior objective positioners can be controlled via NIS Elements by serial port connection. Alternative Prior Scientific/Queensgate manufactured objective positioners can also be purchased exclusively from Nikon.

Part	Description
QGOP200-UP-D1	OP200 Objective Scanner with NPC-D-6110 controller Upright 0-500 g load
QGOP400-UP-D1	OP400 objective scanner system incl. NPC-D-6110 controller for upright microscopes (0–500 g load)
QGOP400-UP-HL-D1	OP400 objective scanner system incl. NPC-D-6110 controller for upright microscopes (500–1000 g load)
QGOP800-UP-D1	OP800 objective scanner system incl. NPC-D-6110 controller for upright microscopes (0-500 g load)
QGOP800-UP-HL-D1	OP800 objective scanner system incl. NPC-D-6110 controller for upright microscopes (500-1000 g load)
QG-OP-MIC-M25	OP microscope adapter M25 x 0.75
QG-OP-MIC-M32	OP microscope adapter M32 x 0.75
QG-OP-OBJ-M25	OP objective adapter M32 x 0.75 to M25 x 0.75
QG-OP-SPACE-M25	M25 x 0.75 static objective spacer to align with OP400 objective
QG-OP-SPACE-M32	M32 x 0.75 static objective spacer to align with OP400 objective

Motorized focus

The PS3H122R plus H3909 combination is required to drive the fine focus knob of the LV100 and LV150 microscopes. The coarse focus will not be motorized.

Part	Description
PS3H122R	Generic focus drive and adapter with rotating cable system preventing cable twisting
H3909	Focus adapter (Nikon LV100)

Autofocus

The PF850 is standalone hardware autofocus. The PF850 should be mounted above the fluorescence turret in most cases. For fluorescence systems, please get in touch with Prior Scientific if the dichroics are known to block 850 nm wavelength light. The PF201, PF209, and PF300 are required for setup and maintenance. The PF404 is required for use with piezo nanopositioning systems. The PF850M is recommended for most semiconductor scanning applications. Discuss your samples with Prior Scientific before ordering.

Part	Description
PF850	PF head, controller with digipot power supply, cables
PF850M	PF head, controller with digipot power supply, cables
LF320	PF850 flange set (Nikon)
PF209	PureFocus setup sample slide
PF201	PureFocus setup camera kit type 2
PF300	PureFocus setup camera jig
PF404	Piezo cable for PF850 15D to BNC