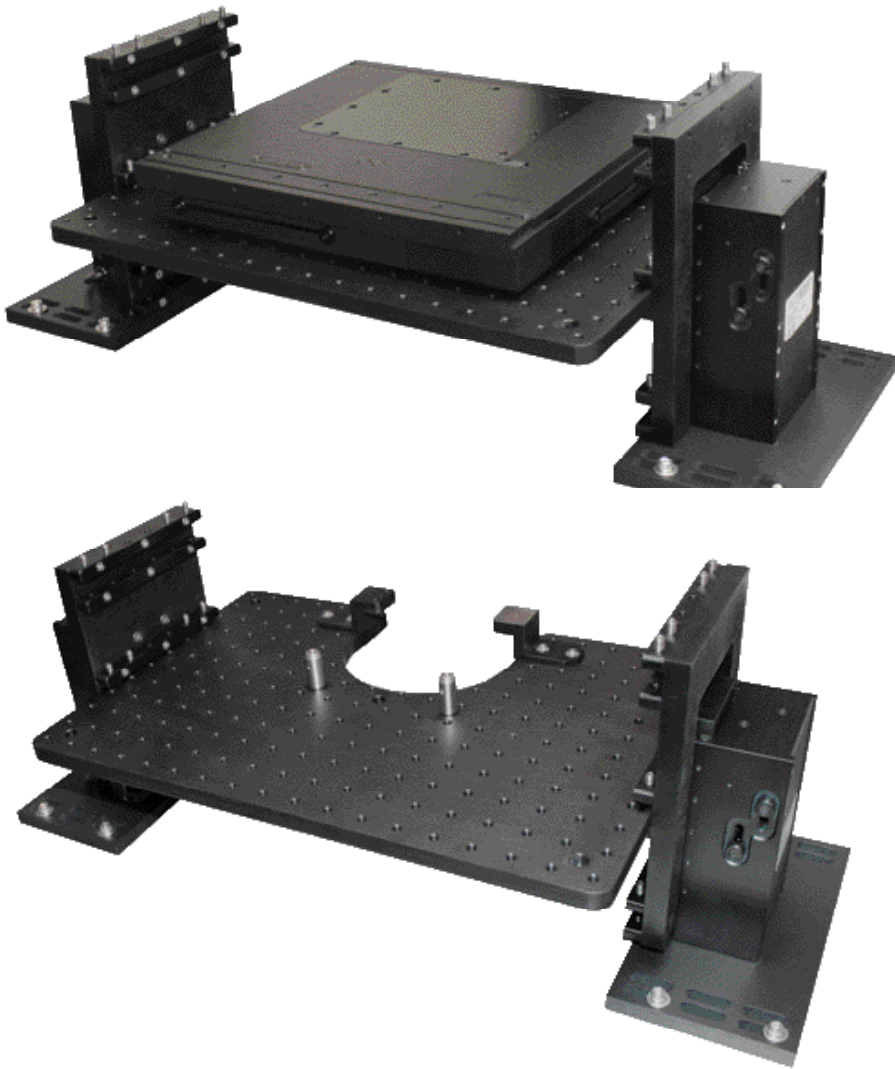


HZ106

High Precision Motorized ZDeck



Prior Scientific's new HZ106 motorized XYZ Deck is the latest in the DECK series by Prior with fully motorized X, Y and Z axes. By combining dual 50mm travel motorized Z axis stages with Prior's flat top H101F stage, this newest XYZ Deck has even more of the features that researchers need including:

- Sub micron XY repeatability
- 114 mm x 75 mm of XY travel for samples requiring a larger XY scan area
- Stage height continuously adjustable from 87 mm to 391 mm
- 50 mm of motorized Z travel
- Transmitted light compatible via a large cutout in the main support plate
- 118 mm of manual adjustment which along with 50mm of motorized adjustment provides 168mm in total sample height adjustment
- Compatible with Queensgate Piezo Z models
- Fast up/down control via XY and Z joysticks
- 25 kg Z axis lifting capacity
- Fits standard 160 mm x 110 mm Prior sample holders
- Compatible with most imaging software via the Prior ProScan III controllers

Large cutout in the rear of main support plate provides ample clearance for transmitted light condenser.

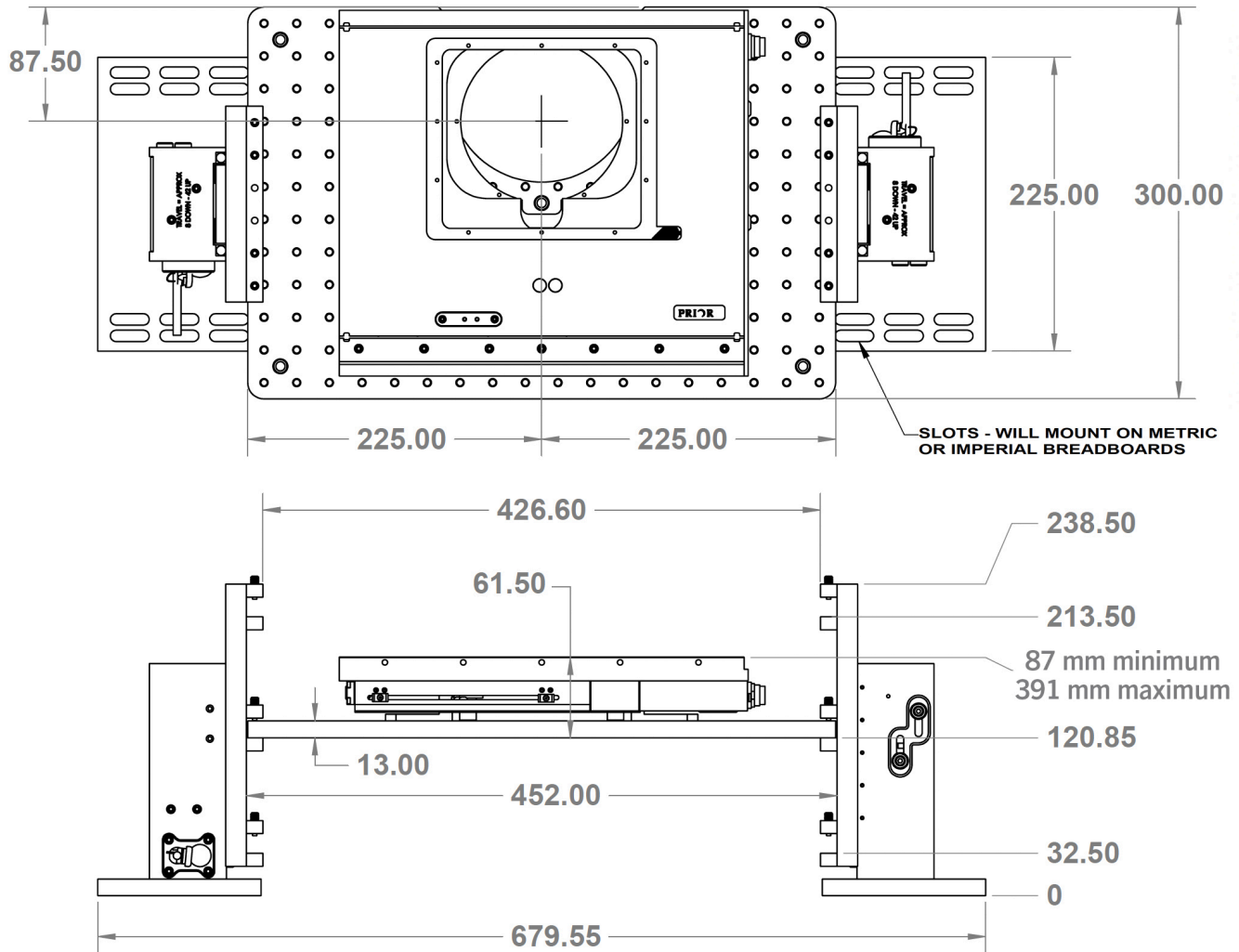
Key Features

- Sub micron repeatability
- 25 kg load lifting capacity
- Can be used with Queensgate Piezo Z module
- Height adjustable from 87 mm up to 391 mm
- Compatible with most imaging software
- Stable dual motorized Z axis stages

Applications

- Two photon, multi-photon microscopy
- Confocal microscopy
- Live animal research

Technical Information



Ordering Information

Part Number	Description
HZ106KT1	Motorized XYZ Deck kit includes ProScan H101P1F stage with 450mm mounting plate, H31XYZEF ProScan controller, dual 50mm travel focus blocks with universal breadboard mounting plates, CS200XY and CS200Z joysticks, adapter and H473UP universal sample holder.
HZ106KT1E	Motorized XYZ Deck kit includes ProScan H101E1F encoded stage with 450mm mounting plate, H31XYZEF ProScan controller, dual 50mm travel focus blocks with universal breadboard mounting plates, CS200XY and CS200Z joysticks, adapter and H473UP universal sample holder.

UNITED KINGDOM

Prior Scientific Instruments Ltd.
Units 3-4 Fielding Industrial Estate
Wilbraham Road, Fulbourn
Cambridge, CB21 5ET
United Kingdom
Email: inquiries@prior.com
Phone: +44 (0)1223 881711

U.S.A.

Prior Scientific, Inc.
80 Reservoir Park Drive
Rockland, MA. 02370
U.S.A.
Email: info@prior.com
Phone: +1 781.878.8442

GERMANY

Prior Scientific Instruments GmbH
Maria-Pawlowna-Str. 4
D-07743, Jena, Germany
Email: jena@prior.com
Phone: +49 (0) 3641 24 20 10

JAPAN

Kayabacho 3rd Nagaoka Bldg 10F,
2-7-10, Nihonbashi Kayabacho, Chuo-Ku,
Tokyo103-0025, Japan
Email: info-japan@prior.com
Phone: 03-5652-8831

CHINA

Prior Scientific Instruments (Suzhou) Ltd.
Room 1812, Honghai Building,
72 Xingdu Street, Suzhou Industrial Park,
Suzhou, 215000 China
Email: info-china@prior.com
Phone: +86 (0)512 6617 5866

