

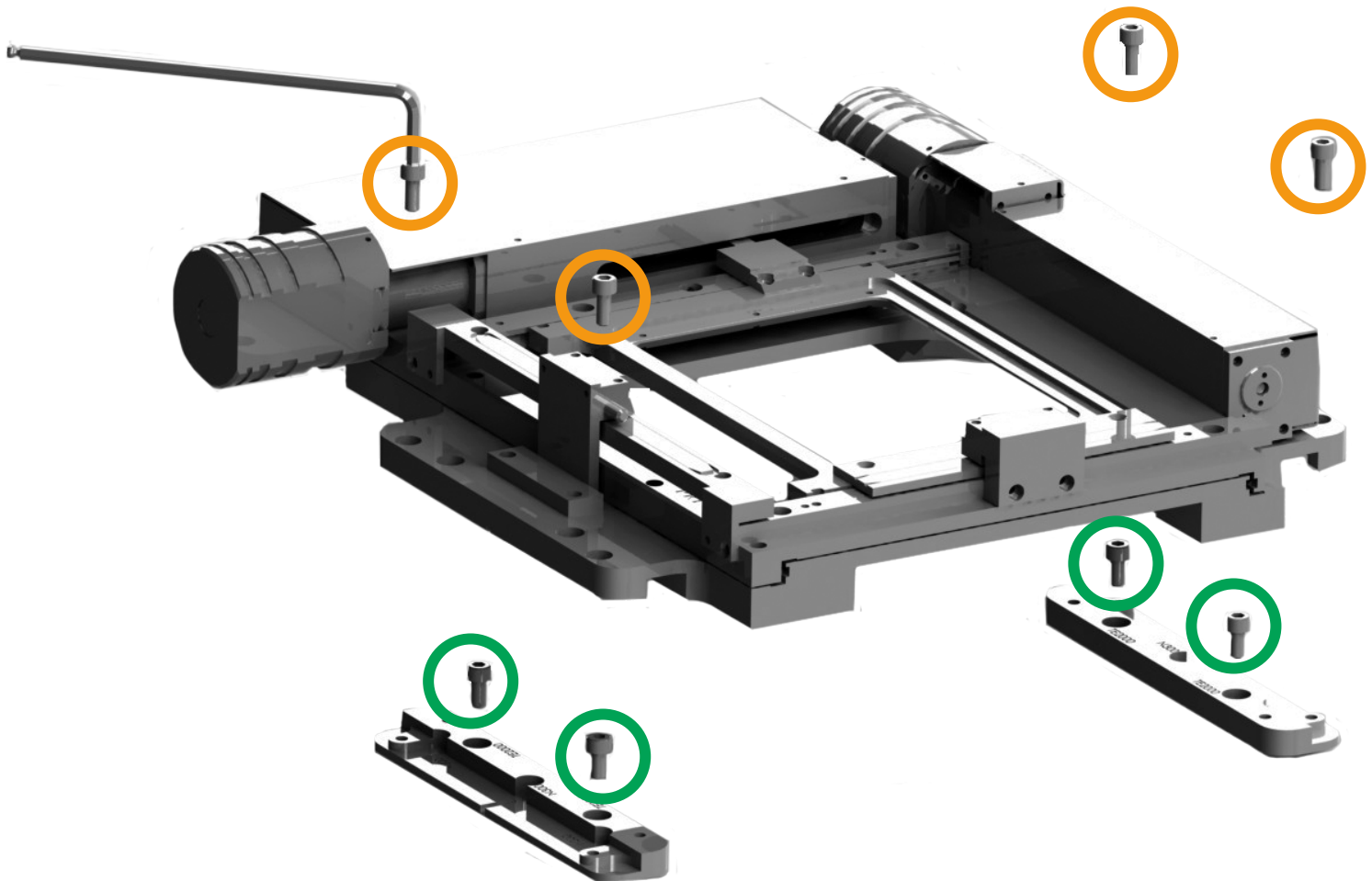
Prior Scientific Help Guides and Installation Instructions

UPDATED 14 JULY 2015

Fitting instructions for the H107N300 stage to fit a Nikon Diaphot 200/300 and a Nikon TE2000

Screw A (circled in green) are M5 x 10mm Socket Cap Head Screws

Screw B (circled in orange) are M5 x 12mm Socket Cap Head Screws



To fit the stage to a TE2000 microscope

The stage is supplied with spacers mounted correctly for the TE2000 microscope. Simply fit the stage to the spacers using the B screws, and then use the A screws to fit the stage and spacers to the microscope.

To fit the stage to a N300 microscope, when configured for a TE2000 microscope

- 1) Extract the B screws to allow the removal of the spacers from the stage.
- 2) Rotate the front and rear spacer through 180° to allow the central hole on the front spacer, marked N300, and the two outer holes on the rear spacer, marked N300, to align with the fixing holes in the microscope.

Fitting instructions for the H107N300 stage to fit a Nikon Diaphot 200/300 and a Nikon TE2000

- 3) Fit the spacers to the microscope using 3 B screws in the positions marked N300, as described above.
- 4) Position the stage onto the spacers and secure using the A screws.

To fit the stage to a TE2000 microscope when configured for a N300 microscope.

- 1) Extract the B screws to allow the removal of the spacers from the stage.
- 2) Rotate the front and rear space through 180° allowing the two holes on both spacers, marked TE2000 to align with the fixing holes in the microscopes.
- 3) Fit the spacers to the microscope using the B screws in the positions marked TE2000 on the spacers.
- 4) Position the stage onto the spacers and secure using the A screws.