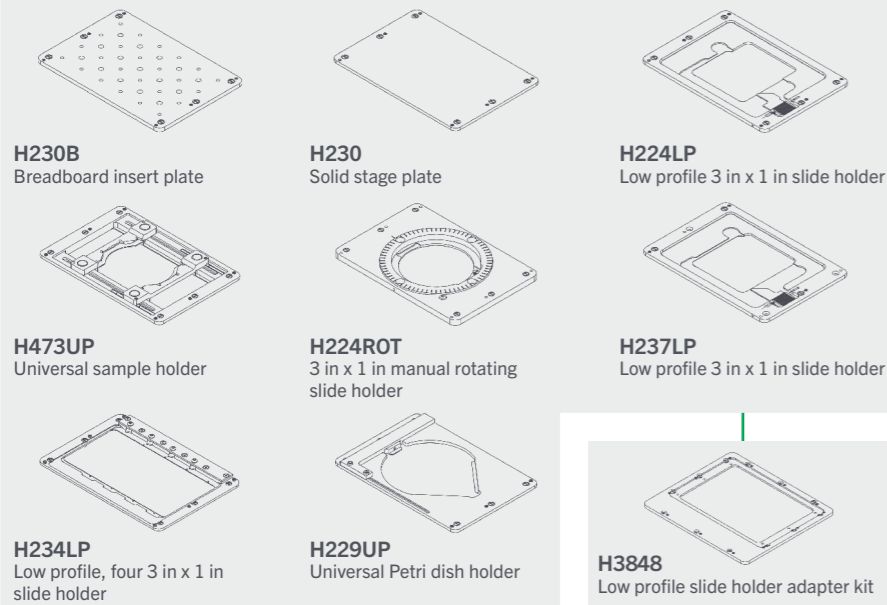
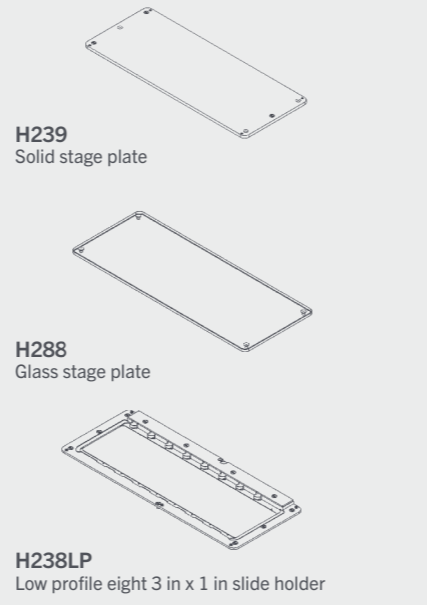


Evident/Olympus MVX10 configuration chart

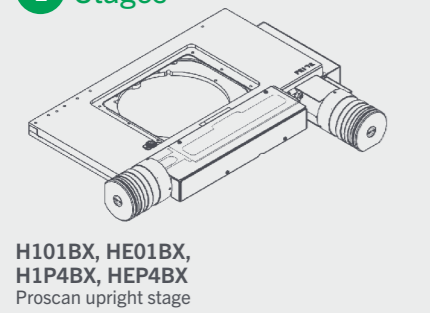
6 Sample holders



6 Sample holders



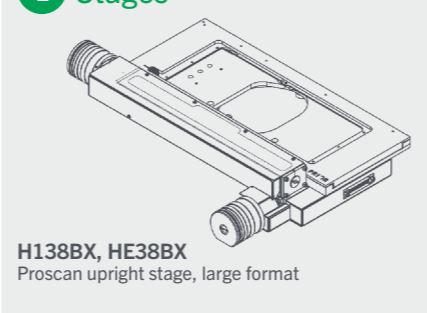
1 Stages



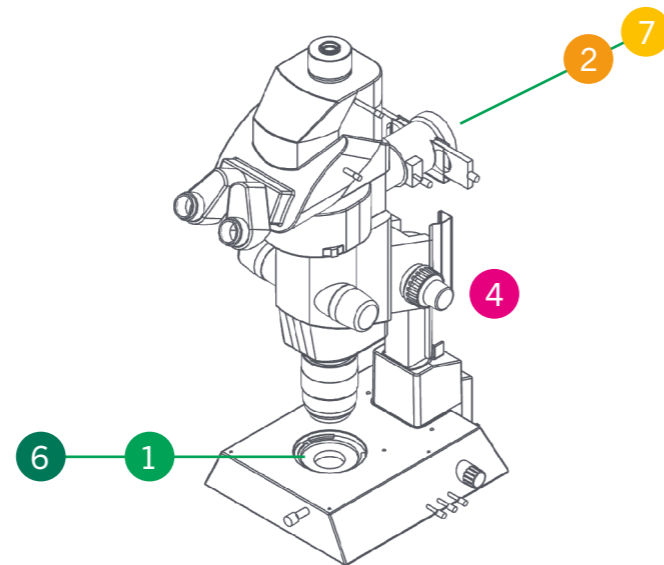
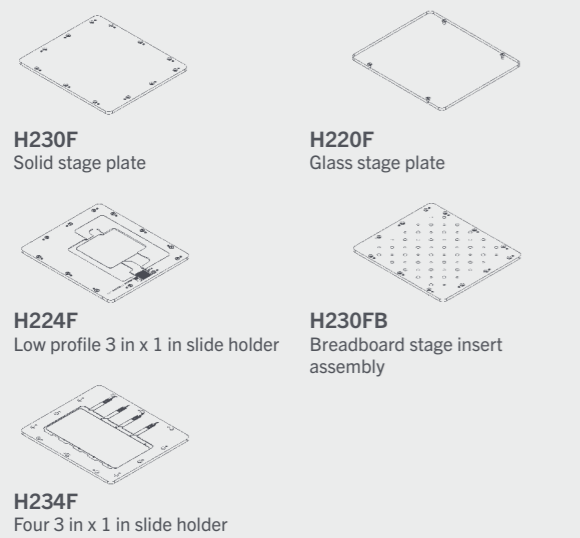
1 Stages



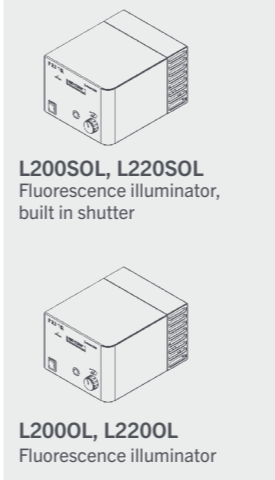
1 Stages



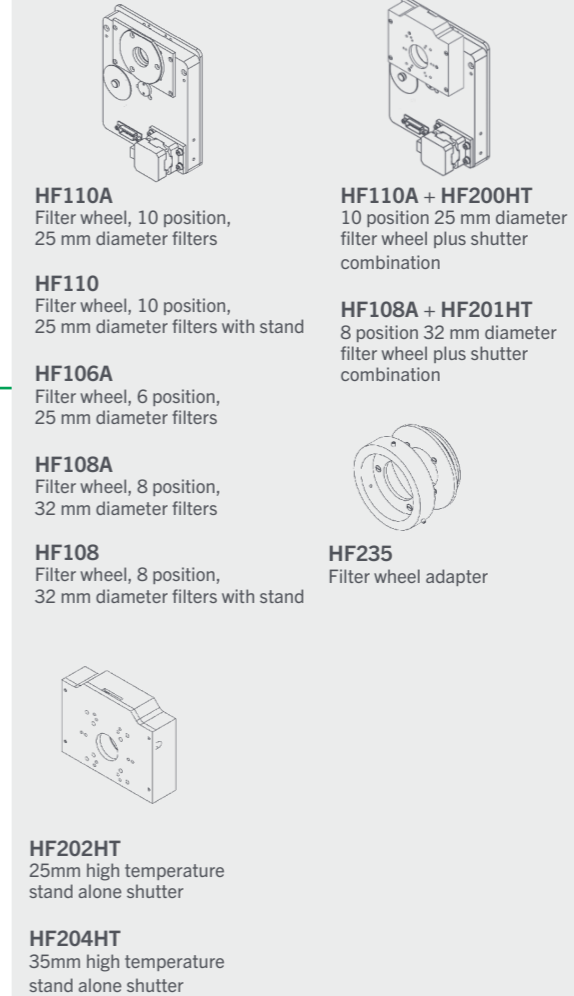
6 Stage accessories



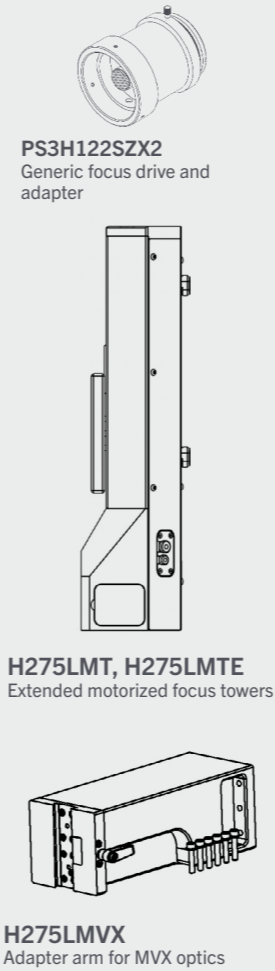
7 Illumination



2 Excitation path



4 Motorized focus



See the following pages for more product information.

Evident/Olympus MVX10 configuration guide

The Evident/Olympus MVX10 is an advanced stereo microscope. Prior are able to supply stages and illumination upgrades for this microscope.

Stages and sample holders

All the sample holders listed in the first section of the above table are compatible with the H101BX, HE01BX, H1P4BX, and HEP4BX. All the sample holders listed in the second section are compatible with the flat top H101P2BX, H101E2BX, H101P1BX and H101E1BX. In addition, sample holders from the first section are compatible with the flat top stage range when combined with the H3848. The large format H138BX and HE38BX can support up to 8 slides. All stages require the SZX-STAD2 or M-SA-SZX adapter from Evident/Olympus to be fitted.

Motorized XY stages and sample holders

Part	Description
H101BX	Proscan upright stage, part encoded, 2 mm pitch, 200 step, Evident/Olympus BX
HE01BX	Proscan upright stage, encoded, 2 mm pitch, 200 step, Evident/Olympus BX
H1P4BX	Proscan upright stage, part encoded, 1 mm pitch, 400 step, Evident/Olympus BX
HEP4BX	Proscan upright stage, encoded, 1 mm pitch, 400 step, Evident/Olympus BX
H473UP	Universal sample holder (slides, Petri dishes, small flasks), upright
H224LP	Low profile 3 in x 1 in slide holder
H234LP	Low profile, four 3 in x 1 in slide holder
H237LP	Low profile 3 in x 2 in slide holder
H229UP	Universal Petri dish holder, upright stages, up to 90 mm diameter
H230	Solid stage plate, H101A stages
H224ROT	3 in x 1 in manual rotating slide holder
H230B	Breadboard insert plate M4 & M6 (H101)
H220	H101 Glass stage plate assembly

Flat top XY motorized stages and sample holders

Part	Description
H101P2BX	Proscan upright stage, flat top, part encoded, 2 mm pitch, 200 step, Evident/Olympus BX
H101E2BX	Proscan upright stage, flat top, encoded, 2 mm pitch, 200 step, Evident/Olympus BX
H101P1BX	Proscan upright stage, flat top, 1 mm pitch, 200 step, Evident/Olympus BX
H101E1BX	Proscan upright stage, flat top, encoded, 1 mm pitch, 200 step, Evident/Olympus BX
H3848	Low profile slide holder adapter kit for H101F
H230F	Solid stage plate, H101F Stages
H224F	Low profile 3 in x 1 in slide holder, extended, H101F stages
H234F	Four 3 in x 1 in slide holder, H101F stages
H220F	Glass stage plate, H101F stages
H230FB	Breadboard stage insert assembly (H101F)

Large format XY motorized stages and sample holders

Part	Description
H138BX	Proscan upright stage, part encoded, 2 mm pitch, 200 step, Evident/Olympus BX, for up to 8 slides
HE38BX	Proscan upright stage, encoded, 2 mm pitch, 200 step, Evident/Olympus BX, for up to 8 slides
H238LP	Low profile eight 3 in x 1 in slide holder
H238PLP	Low profile eight 3in x 1in slide holder, part recessed
H239	Solid stage plate, H138 stages
H288	Glass stage plate, H138 stages

Motorized focus

The PS3H122SZX2 couples indirectly to the SZX-FOFH focus unit via a friction pad. The H275LMT and H275LMT can be used to translate the entire MVX10 head using the H275LMVX in combination with the MVX-ZB10 zoom body. Please note that when using the H275LMT and H275LMTE, it is possible to use much larger stages with the MVX10 than indicated in this section of the sales guide.

Part	Description
PS3H122SZX2	Generic focus drive and adapter with rotating cable system preventing cable twisting
H275LMT	Extended motorized focus tower
H275LMTE	Extended motorized focus tower, encoded
H275LMVX	Adapter arm for MVX optics

Illumination

The L200OL and L200SOL are recommended for fluorescence microscopy (see [datasheet](#) for details). The L200SOL has a built in shutter mechanism which can be controlled via a ProScan III controller, so a standalone shutter is not required. The L220OL and L220SOL are available for customers doing fluorescence imaging in the far-red.

Part	Description
L200SOL	L200 Standard box, lamp, light guide, shutter and Evident/Olympus collimator
L200OL	L220 Standard box, lamp, light guide and Evident/Olympus collimator
L220SOL	L220 Standard box, lamp, light guide, shutter and Evident/Olympus collimator
L220OL	L220 Standard box, lamp, light guide and Evident/Olympus collimator

Excitation path

Filter wheels are not supplied with filters. Contact Prior Scientific if you wish to purchase a filter wheel stand that can be fixed to an optical table. For systems requiring a shutter and filter wheel it is recommended to buy one of the combinations listed above. The HF235 adapter is required for filter wheels and shutters in the diascopic illumination pathways.

Part	Description
HF235	Filter wheel adapter for Evident/Olympus BX, IX and AX series microscopes
HF202HT	25 mm high temperature standalone shutter
HF204HT	35 mm high temperature standalone shutter
HF110A	Filter wheel, 10 position, 25 mm diameter filters without stand
HF110	Filter wheel, 10 position, 25 mm diameter filters with stand
HF106A	Filter wheel, 6 position, 25 mm diameter filters with stand
HF108A	Filter wheel, 8 position, 32 mm diameter filters without stand
HF108	Filter wheel, 8 position, 32 mm diameter filters with stand
HF110A + HF200HT	10 position 25 mm diameter filter wheel plus shutter combination
HF108A + HF201HT	8 position 32 mm diameter filter wheel plus shutter combination