

Evident/Olympus BX63 configuration chart

5 Sample holders

H473UP*
Universal sample holder

H224ROT*
3 in x 1 in manual rotating slide holder

H237LP*
Low profile 3 in x 1 in slide holder

H229UP*
Universal Petri dish holder

H230F
Solid stage plate

H220F
Glass stage plate

H224F
Low profile 3 in x 1 in slide holder

H230FB
Breadboard stage insert assembly

H234F
Four 3 in x 1 in slide holder

H3848
Low profile slide holder adapter kit

*Requires H3848 adapter plate

4 Autofocus

PF850
PF head, controller with digipot power supply, cables

PF850M
PF head - line mode, controller with digipot power supply, cables

LF335
PF850 flange set

3 Objective positioner

QG-OP-MIC-RMS
Microscope adapter

QG-OP-Obj-RMS
Objective adapter

QGOP200-UP-D1
QGOP400-UP-D1
QGOP400-UP-HL-D1
QGOP800-UP-D1
QGOP800-UP-HL-D1

1 Stages

H101P2B3, H101E2B3, H101P1B3, H101E1B3
ProScan upright stage, flat top

6 Illumination

L200SOL, L220SOL
Fluorescence illuminator, built in shutter

L200OL, L220OL
Fluorescence illuminator

2 Excitation path

HF110A
Filter wheel, 10 position, 25 mm diameter filters

HF110
Filter wheel, 10 position, 25 mm diameter filters with stand

HF106A
Filter wheel, 6 position, 25 mm diameter filters

HF108A
Filter wheel, 8 position, 32 mm diameter filters

HF108
Filter wheel, 8 position, 32 mm diameter filters with stand

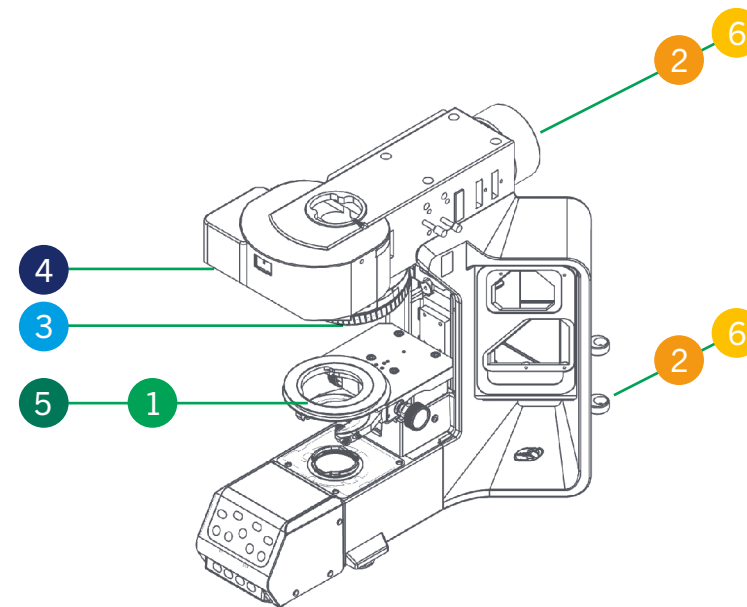
HF202HT
25mm high temperature standalone shutter

HF204HT
35mm high temperature standalone shutter

HF110A + HF200HT
10 position 25 mm diameter filter wheel plus shutter combination

HF108A + HF201HT
8 position 32 mm diameter filter wheel plus shutter combination

HF235
Filter wheel adapter



See the following pages for more product information.

Evident/Olympus BX63 configuration guide

The Evident/Olympus BX63 is a fully motorized microscope. While this microscope is well equipped, Prior Scientific can offer cost effective, high performance upgrades.

Flat top XY motorized stages and sample holders

The BX63 lacks the typical dovetail stage attachment of other BX upright microscopes. The H101P2B3, H101E2B3, H101P1B3 and H101E1B3 are fitted with pillars that can be fitted to the microscope frame. The stages listed have superior travel range (114x75 mm) to the standard BX63 stage.

Part	Description
H101P2B3	ProScan upright stage, flat top, part encoded, 2 mm pitch, 200 step, Evident/Olympus BX
H101E2B3	ProScan upright stage, flat top, encoded, 2mm pitch, 200 step, Evident/Olympus BX
H101P1B3	ProScan upright stage, flat top, 1mm pitch, 200 step, Evident/Olympus BX
H101E1B3	ProScan upright stage, flat top, encoded, 1mm pitch, 200 step, Evident/Olympus BX
H3848	Low profile slide holder adapter kit for H101F
H473UP*	Universal sample holder (slides, Petri dishes, small flasks), upright
H237LP*	Low profile 3 in x 2 in slide holder
H229UP*	Universal Petri dish holder, upright stages, up to 90 mm diameter
H224ROT*	3 in x 1 in manual rotating slide holder
H230F	Solid stage plate, H101F stages
H224F	Low profile 3 in x 1 in slide holder, extended, H101F stages
H234F	Four 3 in x 1 in slide holder, H101F stages
H220F	Glass stage plate, H101F stages
H230FB	Breadboard stage insert assembly (H101F)

*Requires the H3848 adapter for use.

Objective positioners and adapters

When ordering ensure the correct part number is used to specify upright calibration. Objective positioners require a threaded adapter in order to be fitted to the microscope nosepiece and the microscope objective. Evident/Olympus microscopes typically use RMS threads; please contact Prior Scientific if the nosepiece uses an alternative thread size. Some BX63 nosepieces have a raised lip surrounding the objective positions, which may clash with the objective positioner; a 15 mm spacer can be added to clear the lip. Please specify the nosepiece attachment fitted to the microscope when ordering. Please note that the two objective positions adjacent to the objective positioner will not be usable due to space constraints; additional positions may be unusable on smaller nosepieces. A high load calibration is available for specialist heavy objectives. Control of the via Evident/Olympus Software requires the use of the Evident/Olympus Realtime Controller.

Part	Description
QGOP200-UP-D1	OP200 Objective Scanner with NPC-D-6110 controller Upright 0-500g load
QGOP400-UP-D1	OP400 objective scanner system incl. NPC-D-6110 controller for upright microscopes (0-500 g load)
QGOP400-UP-HL-D1	OP400 objective scanner system incl. NPC-D-6110 controller for upright microscopes (500-1000 g load)
QG-OP-MIC-RMS	OP microscope adapter RMS
QG-OP-OBJ-RMS	OP objective adapter RMS
QG-OP-SPACE-RMS	RMS static objective spacer to align with OP400 objective

Autofocus

The PF850 is a standalone hardware autofocus. The LF335 flange set is recommended for systems using only transmitted light or non-fluorescence reflected light. The PF210 kit is required for systems using fluorescence where the filter cubes will block 850 nm wavelength light. The PF200, PF209 and PF300 are required for setup and maintenance. The PF404 is required for use with piezo nanopositioning systems. Please note that the PF850 can only be used with piezo focus devices when combined with the BX63.

Part	Description
PF850	PF head, controller with digipot power supply, cables
PF850M	PF head - line mode, controller with digipot power supply, cables
PF210	Evident/Olympus BX fluorescence mounting kit
LF335	PF850 flange set (Evident/Olympus BX)
PF209	PureFocus setup sample slide
PF200	PureFocus setup camera alignment target type 1, RMS.DIA 0.8 x 36
PF300	PureFocus setup camera jig
PF404	Piezo cable for PF850 15D to BNC

Illumination

The L2000L and L200SOL are recommended for fluorescence microscopy (see [datasheet](#) for details). The L200SOL has a built in shutter mechanism which can be controlled via a ProScan III controller, so a standalone shutter is not required. The L2200L and L220SOL are available for customers doing fluorescence imaging in the far-red. 35 mm shutters and 32 mm filter wheels are recommended for widefield applications.

Part	Description
L200SOL	L200 Standard box, lamp, light guide, shutter and Evident/Olympus collimator
L2000L	L220 Standard box, lamp, light guide and Evident/Olympus collimator
L220SOL	L220 Standard box, lamp, light guide, shutter and Evident/Olympus collimator
L2200L	L220 Standard box, lamp, light guide and Evident/Olympus collimator

Excitation path

Filter wheels are not supplied with filters. Contact Prior Scientific if you wish to purchase a filter wheel stand that can be fixed to an optical table. For systems requiring a shutter and filter wheel it is recommended to buy one of the combinations listed above. The HF235 adapter is required for filter wheels and shutters in the episcopic and diascope illumination pathways and requires part U-LH100ADP from Evident/Olympus.

Part	Description
HF235	Filter wheel adapter for Evident/Olympus BX series microscopes. Requires U-LH100ADP from Evident/Olympus
HF238	Shutter adapter for transmitted lamp
HF202HT	25 mm high temperature standalone shutter
HF204HT	35 mm high temperature standalone shutter
HF110A	Filter wheel, 10 position, 25 mm diameter filters without stand
HF110	Filter wheel, 10 position, 25 mm diameter filters with stand
HF106A	Filter wheel, 6 position, 25 mm diameter filters without stand
HF108A	Filter wheel, 8 position, 32 mm diameter filters without stand
HF108	Filter wheel, 8 position, 32 mm diameter filters with stand
HF110A + HF200HT	10 position 25 mm diameter filter wheel plus shutter combination
HF108A + HF201HT	8 position 32 mm diameter filter wheel plus shutter combination