

# Evident/Olympus BX61 configuration chart

### 5 Sample holders

**H230B**  
Breadboard insert plate

**H230**  
Solid stage plate

**H224LP**  
Low profile 3 in x 1 in slide holder

**H473UP**  
Universal sample holder

**H224ROT**  
3 in x 1 in manual rotating slide holder

**H237LP**  
Low profile 3 in x 1 in slide holder

**H234LP**  
Low profile, four 3 in x 1 in slide holder

**H229UP**  
Universal Petri dish holder

**H3848**  
Low profile slide holder adapter kit

### 5 Sample holders

**H239**  
Solid stage plate

**H288**  
Glass stage plate

**H238LP**  
Low profile eight 3 in x 1 in slide holder

### 4 Autofocus

**PF850**  
PF head, controller with digipot power supply, cables

**PF850M**  
PF head - line mode, controller with digipot power supply, cables

**LF335**  
PF850 flange set

### 7 Motorized focus

**PS3H1220LM**  
Generic focus drive and adapter

### 1 Stages

**H101BX, HE01BX, H1P4BX, HEP4BX**  
ProScan upright stage

### 1 Stages

**H101P2BX, H101E2BX, H101P1BX, H101E1BX**  
ProScan upright stage, flat top

### 1 Stages

**H138BX, HE38BX**  
ProScan upright stage, large format

### 3 Objective positioner

**QG-OP-MIC-RMS**  
Microscope adapter

**QGOP200-UP-D1, QGOP400-UP-D1, QGOP400-UP-HL-D1, QGOP800-UP-D1, QGOP800-UP-HL-D1**

**QG-OP-OBJ-RMS**  
Objective adapter

### 6 Illumination

**L200SOL, L220SOL**  
Fluorescence illuminator, built in shutter

**L2000L, L2200L**  
Fluorescence illuminator

### 2 Excitation path

**HF110A**  
Filter wheel, 10 position, 25 mm diameter filters

**HF110A + HF200HT**  
10 position 25 mm diameter filter wheel plus shutter combination

**HF110**  
Filter wheel, 10 position, 25 mm diameter filters with stand

**HF108A + HF201HT**  
8 position 32 mm diameter filter wheel plus shutter combination

**HF106A**  
Filter wheel, 6 position, 25 mm diameter filters

**HF108A**  
Filter wheel, 8 position, 32 mm diameter filters

**HF108**  
Filter wheel, 8 position, 32 mm diameter filters with stand

**HF202HT**  
25mm high temperature standalone shutter

**HF204HT**  
35mm high temperature standalone shutter

**HF235**  
Filter wheel adapter

### 5 Sample holders

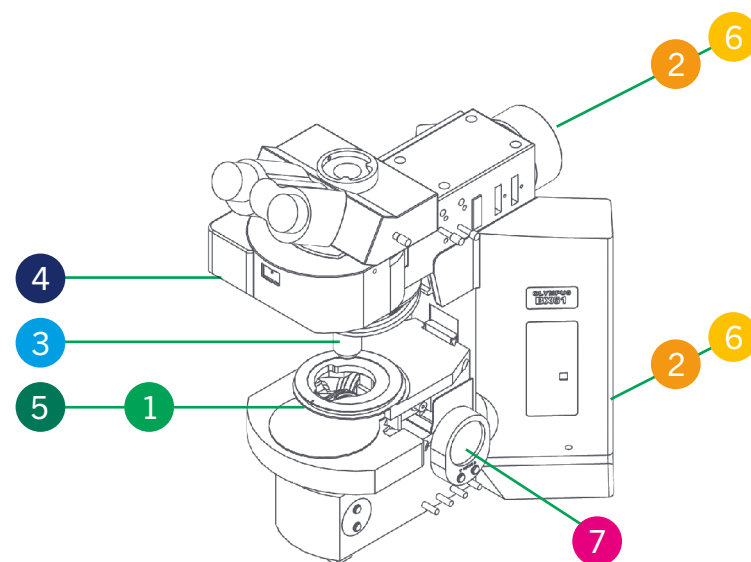
**H230F**  
Pair of stage extension wings

**H220F**  
Pair of stage extension wings

**H224F**  
Pair of stage extension wings

**H230FB**  
Pair of stage extension wings

**H234F**  
Pair of stage extension wings



See the following pages for more product information.

# Evident/Olympus BX61 configuration guide

The Evident/Olympus BX61 is a motorized microscope. Prior offers an extensive range of upgrades for this microscope.

## Stages and sample holders

All the sample holders listed in the first section of the above table are compatible with the H101BX, HE01BX, H1P4BX, and HEP4BX. All the sample holders listed in the second section are compatible with the flat top H101P2BX, H101E2BX, H101P1BX and H101E1BX. In addition, sample holders from the first section are compatible with the flat top stage range when combined with the H3848. The large format H138BX and HE38BX can support up to 8 slides.

## Motorized XY stages and sample holders

| Part    | Description   |
|---------|---|
| H101BX  | ProScan upright stage, part encoded, 2 mm pitch, 200 step, Evident/Olympus BX |
| HE01BX  | ProScan upright stage, encoded, 2 mm pitch, 200 step, Evident/Olympus BX      |
| H1P4BX  | ProScan upright stage, part encoded, 1 mm pitch, 400 step, Evident/Olympus BX |
| HEP4BX  | ProScan upright stage, encoded, 1 mm pitch, 400 step, Evident/Olympus BX      |
| H473UP  | Universal Sample holder (slides, Petri dishes, small flasks), upright         |
| H224LP  | Low profile 3 in x 1 in slide holder  |
| H234LP  | Low profile, four 3 in x 1 in slide holder                                    |
| H237LP  | Low profile 3 in x 2 in slide holder  |
| H229UP  | Universal Petri dish holder, upright stages, up to 90 mm diameter             |
| H230    | Solid stage plate, H101A stages   |
| H224ROT | 3 in x 1 in manual rotating slide holder                                      |
| H230B   | Breadboard insert plate M4 & M6 (H101)  |
| H220    | H101 Glass stage plate assembly   |

## Flat top XY motorized stages and sample holders

| Part     | Description   |
|----------|---|
| H101P2BX | ProScan upright stage, flat top, part encoded, 2 mm pitch, 200 step, Evident/Olympus BX |
| H101E2BX | ProScan upright stage, flat top, encoded, 2 mm pitch, 200 step, Evident/Olympus BX      |
| H101P1BX | ProScan upright stage, flat top, 1 mm pitch, 200 step, Evident/Olympus BX               |
| H101E1BX | ProScan upright stage, flat top, encoded, 1 mm pitch, 200 step, Evident/Olympus BX      |
| H3848    | Low profile slide holder adapter kit for H101F  |
| H230F    | Solid stage plate, H101F Stages   |
| H224F    | Low profile 3 in x 1 in slide holder, extended, H101F stages                            |
| H234F    | Four 3 in x 1 in slide holder, H101F stages   |
| H220F    | Glass stage plate, H101F stages   |
| H230FB   | Breadboard stage insert assembly (H101F)  |

## Large format XY motorized stages and sample holders

| Part    | Description   |
|---------|---|
| H138BX  | ProScan upright stage, part encoded, 2 mm pitch, 200 step, Evident/Olympus BX, for up to 8 slides |
| HE38BX  | ProScan upright stage, encoded, 2 mm pitch, 200 step, Evident/Olympus BX, for up to 8 slides      |
| H238LP  | Low profile eight 3 in x 1 in slide holder  |
| H238PLP | Low profile eight 3 in x 1 in slide holder, part recessed   |
| H239    | Solid stage plate, H138 stages  |
| H288    | Glass stage plate, H138 stages  |

## Objective positioners and adapters

When ordering ensure the correct part number is used to specify upright calibration. Objective positioners require a threaded adapter in order to be fitted to the microscope nosepiece and the microscope objective. Evident/Olympus microscopes typically use RMS threads; please contact Prior Scientific if the nosepiece uses an alternative thread size. Some BX61 nosepieces have a raised lip surrounding the objective positions, which may clash with the objective positioner; a 15mm spacer can be added to clear the lip. Please note that the two objective positions adjacent to the objective positioner will not be usable due to space constraints; additional positions may be unusable on smaller nosepieces. A high load calibration is available for specialist heavy objectives. Control of the via Evident/Olympus Software requires the use of the Evident/Olympus Realtime Controller.

| Part             | Description  |
|------------------|--|
| QGOP200-UP-D1    | OP200 Objective Scanner with NPC-D-6110 controller Upright 0-500g load                               |
| QGOP400-UP-D1    | OP400 objective scanner system incl. NPC-D-6110 controller for upright microscopes (0-500 g load)    |
| QGOP400-UP-HL-D1 | OP400 objective scanner system incl. NPC-D-6110 controller for upright microscopes (500-1000 g load) |
| QGOP800-UP-D1    | OP800 objective scanner system incl. NPC-D-6110 controller for upright microscopes (0-500 g load)    |
| QGOP800-UP-HL-D1 | OP800 objective scanner system incl. NPC-D-6110 controller for upright microscopes (500-1000 g load) |
| QG-OP-MIC-RMS    | OP microscope adapter RMS  |
| QG-OP-OBJ-RMS    | OP objective adapter M32 x 0.75 to RMS   |
| QG-OP-SPACE-RMS  | RMS static objective spacer to align with OP400 objective  |

## Motorized focus

The PS3H122OLM is directly coupled to the fine focus knob. It does not compete with the inherent motorized focus system.

| Part       | Description  |
|------------|--|
| PS3H122OLM | Focus drive assembly, PS3, Evident/Olympus BX61/IX81 PS3 |

## Autofocus

The PF850 is a standalone hardware autofocus. The LF335 flange set is recommended for systems using only transmitted light or non-fluorescence reflected light. Please contact Prior Scientific to provide information about fluorescence filter sets if using fluorescence. The PF200, PF209 and PF300 are required for setup and maintenance. The PF404 is required for use with piezo nanopositioning systems.

| Part   | Description   |
|--------|---|
| PF850  | PF head, controller with digipot power supply, cables             |
| PF850M | PF head - line mode, controller with digipot power supply, cables |
| PF210  | Evident/Olympus BX fluorescence mounting kit                      |
| LF335  | PF850 flange set (Evident/Olympus BX)                             |
| PF209  | PureFocus setup sample slide                                      |
| PF200  | PureFocus setup camera alignment target type 1, RMS.DIA 0.8 x 36  |
| PF300  | PureFocus setup camera jig  |
| PF404  | Piezo cable for PF850 15D to BNC                                  |

## Illumination

The L200OL and L200SOL are recommended for fluorescence microscopy (see [datasheet](#) for details). The L200SOL has a built in shutter mechanism which can be controlled via a ProScan III controller, so a standalone shutter is not required. The L220OL and L220SOL are available for customers doing fluorescence imaging in the far-red.

| Part    | Description  |
|---------|--|
| L200SOL | L200 Standard box, lamp, light guide, shutter and Evident/Olympus collimator |
| L200OL  | L220 Standard box, lamp, light guide and Evident/Olympus collimator          |
| L220SOL | L220 Standard box, lamp, light guide, shutter and Evident/Olympus collimator |
| L220OL  | L220 Standard box, lamp, light guide and Evident/Olympus collimator          |

## Excitation path

Filter wheels are not supplied with filters. For systems requiring a shutter and filter wheel it is recommended to buy one of the combinations listed above. The HF235 adapter is required for filter wheels and shutters in the episcopic and diascope illumination pathways.

| Part             | Description  |
|------------------|--|
| HF235            | Filter wheel adapter for Evident/Olympus BX, IX and AX series microscopes  |
| HF238            | Shutter adapter for transmitted lamp                                       |
| HF202HT          | 25 mm high temperature standalone shutter                                  |
| HF204HT          | 35 mm high temperature standalone shutter                                  |
| HF110A           | Filter wheel, 10 position, 25 mm diameter filters without stand            |
| HF110            | Filter wheel, 10 position, 25 mm diameter filters with stand               |
| HF106A           | Filter wheel, 6 position, 25 mm diameter filters without stand             |
| HF108A           | Filter wheel, 8 position, 32 mm diameter filters without stand             |
| HF108            | 8 position 32 mm diameter filter wheel plus shutter combination with stand |
| HF110A + HF200HT | 10 position 25 mm diameter filter wheel plus shutter combination           |
| HF108A + HF201HT | 8 position 32 mm diameter filter wheel plus shutter combination            |