

Prior Scientific Help Guides and Installation Instructions

UPDATED 15 June 2015

Replacing Lumen200Pro Shutters

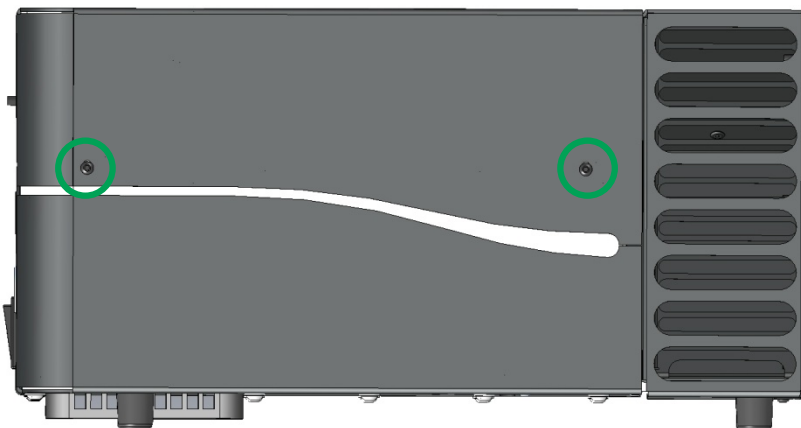
Changing filters in the Lumen 200Pro Filter Wheel

The filter wheel can hold up to 6 25mm filters. These are held in position using the standard Prior locking ring.

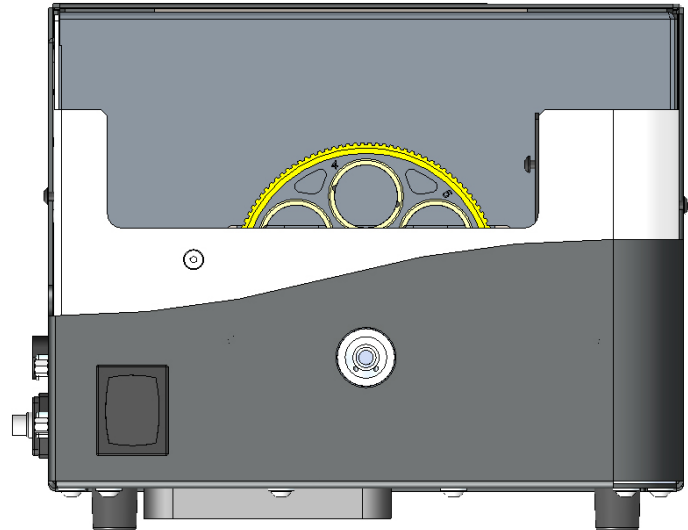
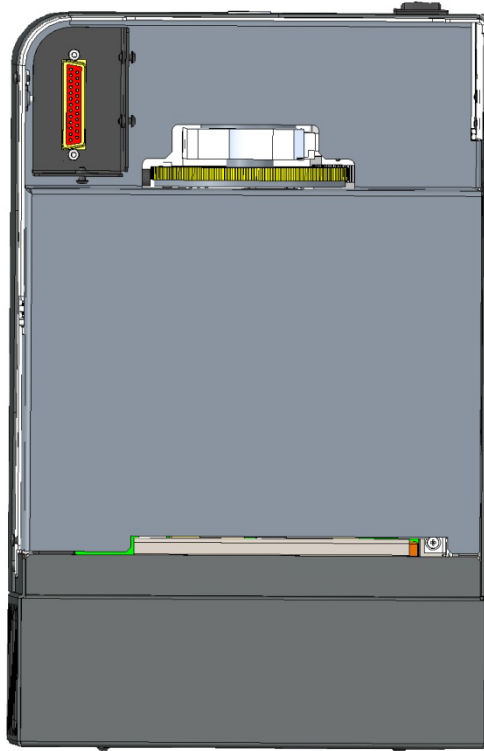
To change a filter, you will need:

- The Lumen 200Pro
- The filter
- The Prior Filter Block Tool
- A flat head screw driver

- 1) Switch off the unit and disconnect from both the Prior controller and the main power source.
- 2) Ensure the unit has been allowed to cool for 30 minutes.
- 3) Place the unit on a flat surface with empty space in front of the unit.
- 4) Unscrew the 3 screws as indicated below.

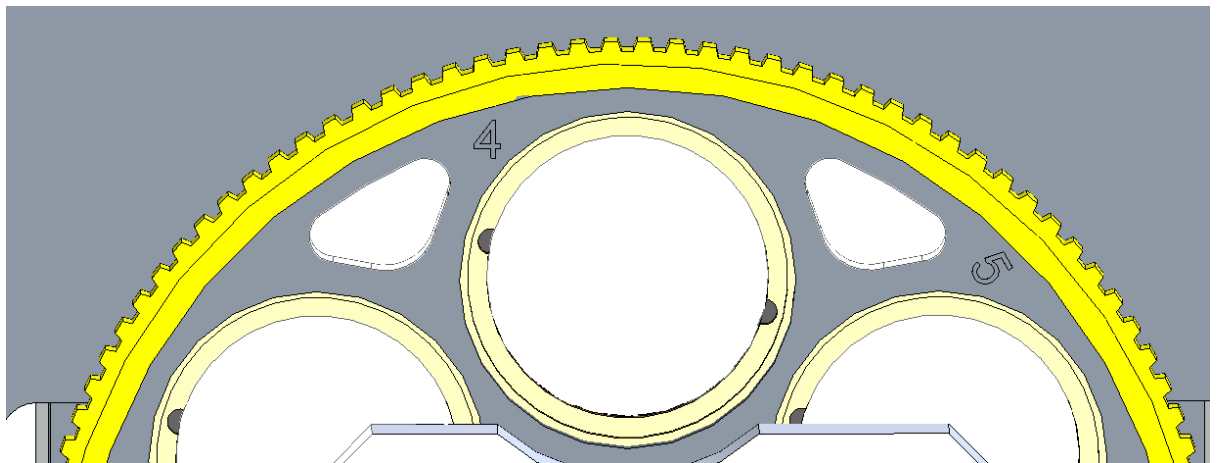


- 5) Lift the top of the unit applying particular pressure to the front right hand corner to disconnect the internal connector. It is important to lift the cover from the unit as straight up as possible; this makes it easier to replace s it minimises the stress on the internal connector.



Right – view from above, with the filter wheel in yellow and the internal connector in red. Above, filter wheel in yellow.

- 6) Turn the filter wheel until the desired filter position is reached. The filter position is indicated by the filter number which is displayed on the top left of the filter hole – see below.



- 7) Using the Prior Filter Block tool unscrew the filter ring making sure to locate the two lugs in the filter block tool into the two holes of the filter ring.
- 8) Remove the old filter and replace the new filter taking care not to place finger prints on the filter.
- 9) Using the Prior filter blocktool screw the filter ring to hold the filter. Be careful – do not tighten the ring overmuch as some filters expand when heated.
- 10) Repeat for all filters. Record the position of each filter for use with your software.
- 11) Replace the top of the unit, ensuring the internal connector is properly aligned. Replace the screws.
- 12) Reconnect the controller, and check that the filter wheel is still moving.
- 13) Reconnect the Lumen 200Pro.