



IMPORTANT SAFETY INFORMATION



PLEASE READ THE MANUAL BEFORE USING!

MANUALS ARE AVAILABLE FROM PRIOR SCIENTIFIC (WWW.PRIOR.COM) AND SHOULD BE READ AND UNDERSTOOD BEFORE INSTALLATION AND USE

- Adhere to all warnings on the products, on this sheet and in the user manuals.
- The products **MUST NOT** be exposed to open flames, extremely hot or cold temperature, water or moisture. **DO NOT** allow objects to fall, or liquids to spill, on the products.
- Connect the AC power cord only to designated power sources as marked on the product. Make sure the electrical cords are located so that they will not be subject to damage. Ensure that the mains power is easily and quickly accessible should the units need to be switched off.
- Only connect to an earthed power supply. These are Class I products and so must be earthed.
- **DANGER – Never alter the AC cord or plug. The power cord set must be an appropriately rated and approved cord set in accordance in the regulations of the country it is used in. If the supplied plug adapter is not the correct fitting for your geographic area or if you are unsure about the relevant regulations, please contact your supplier for advice.**
- The appropriate fuse rating is F5AH250V. Only use the supplied AC/DC adapter with this product. Never substitute another adapter. Should the adapter be in any way faulty or damaged contact your supplier.
- **Before disconnecting or connecting any component, or changing a fuse, ensure the equipment is disconnected from the mains supply.**
- Ensure any ventilation slots are not covered and there is adequate clearance (at least 20mm) around the vents. The surface of these units may get hot during operation.
- **Do not attempt to disassemble, tamper with, or repair this product; it contains NO user serviceable parts and doing so may void the warranty, damage the product or compromise intrinsic safety features.** Service should be performed **ONLY** by authorised service centres.



IMPORTANT SAFETY INFORMATION



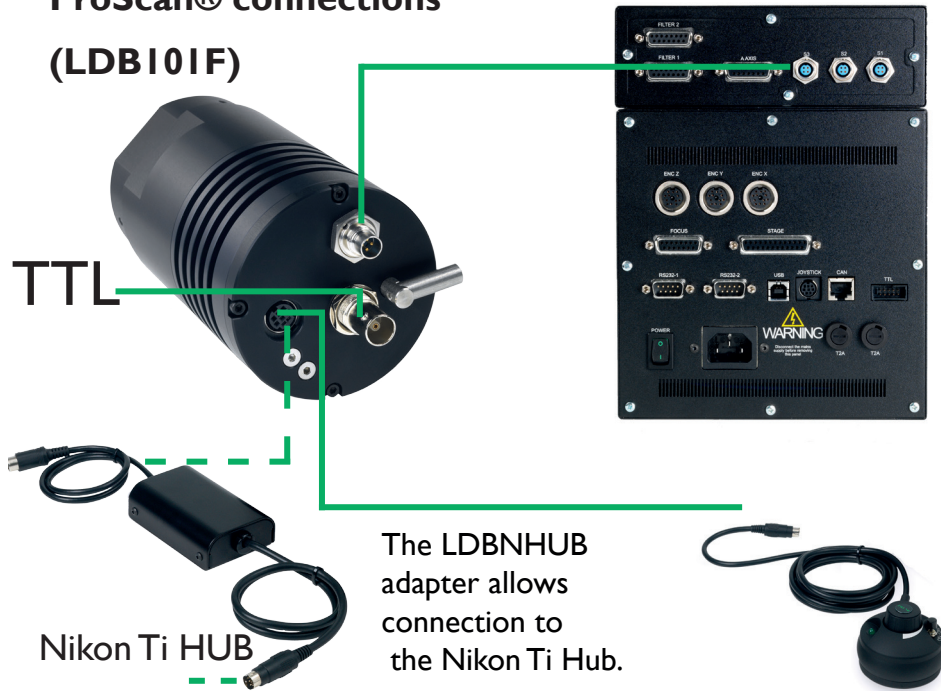
LIGHT SAFETY

- The light produced by these illumination units is extremely strong and may contain UV. It has the potential to cause severe damage to the eyes. Therefore, **NEVER** look directly at the light source with the naked eye. **NEVER** point the illumination at yourself, or anyone else. **NEVER** look into the emitting end of a light guide when emitting light. **NEVER** look directly at the bulb or collimator when emitting light. Avoid placing skin or flammable materials close to the light source.
- If the unit is not directly connected to a microscope wear suitable eye protection and cover exposed skin with clothing.
- Before switching on, ensure the device is correctly installed on the microscope and that any light guides, etc, are properly inserted.

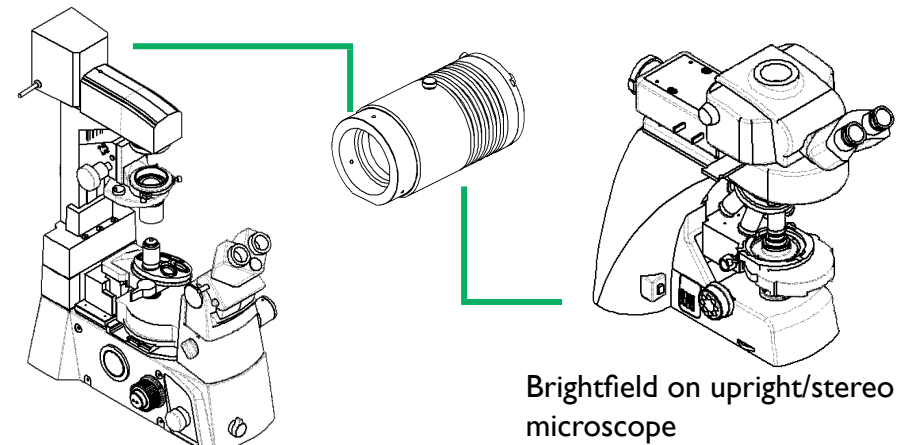


CONNECTIONS

ProScan® connections (LDBI01F)



Connecting to microscopes



Below - Brightfield on inverted microscope

CONNECTIONS

Standalone connections (LDBI00F)



Digipot controls

