

Adjusting Stage Limit Switches

Introduction

Every ProScan motorized stage is fitted with limit switches in both the X and Y axes so that the stage automatically comes to a halt when it has reached its maximum travel in all directions. These limit switches are normally factory set to give the correct amount of movement for a particular microscope stand. It may be necessary at some time to make adjustments to the limit switch positions. For example different optics may need to be mounted onto the microscope which may cause clearance problems, to avoid damage to these components the stage travel may need to be restricted.

The following procedure explains how to make these adjustments.

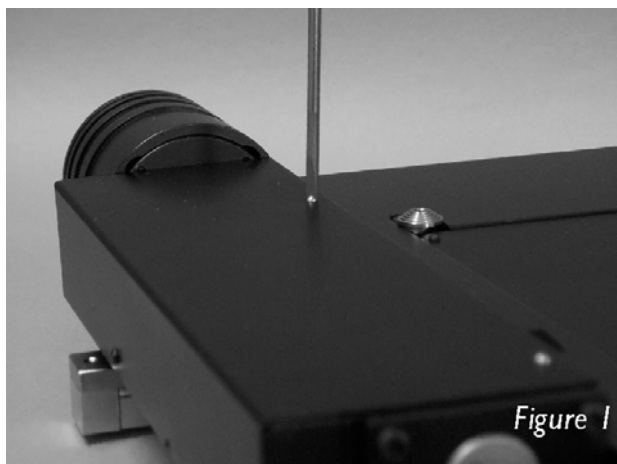
Tools Required

Small flat blade instrument screw driver.

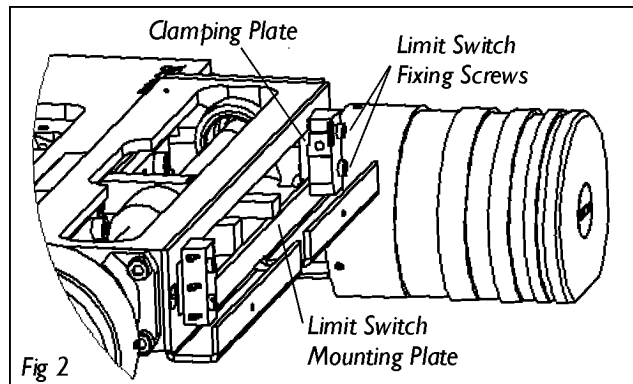
Adjustment Procedure

Due to the positions of the drive cover fixing screws it may be necessary to remove the stage from its microscope or mounting stand before attempting this procedure.

1. Ensure that the stage is disconnected from the controller before removing any covers.
2. Loosen and remove the drive cover fixing screws (see fig.1).



3. Remove drive cover.
4. Loosen limit switch fixing screws (do not remove) so that the limit switch and clamping plate (see fig.2) can be freely moved along the adjustment slot in the limit switch mounting plate.



5. Move limit switch to the desired position and re-tighten the fixing screws.
6. Before replacing the drive cover, mount the stage onto its stand and check that the limits are correctly adjusted. If further adjustment is required, repeat the above procedure until limit switches are positioned correctly.
7. When the limit switches are correctly positioned, replace the drive cover.