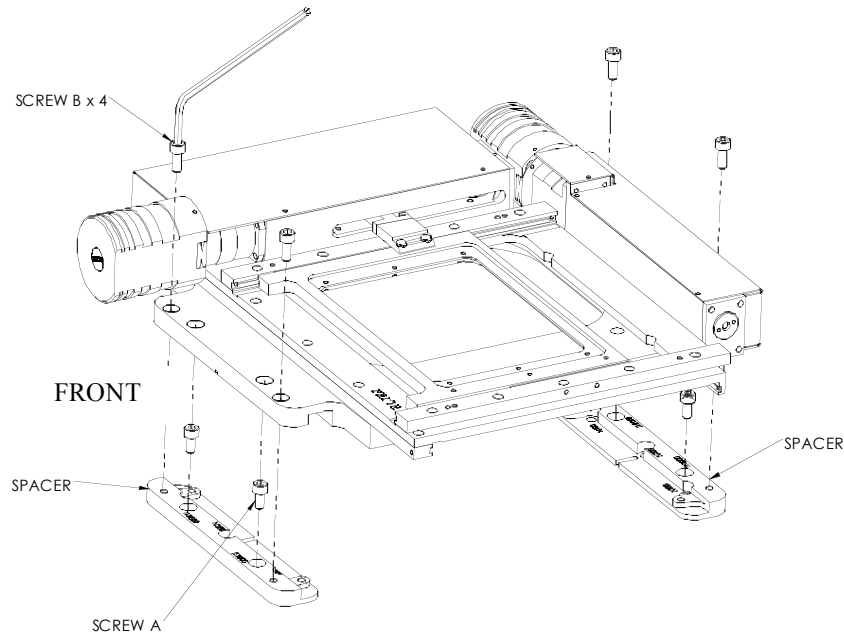


Fitting instructions for the H107N300 stage to fit a Nikon Diaphot 200/300 & a Nikon Eclipse TE2000



Screw A M5 x 10mm long Socket Cap Head Screw
Screw B M5 x 12mm long Socket Cap Head Screw

The stage is supplied with spacers mounted correctly for the TE2000 microscope

To fit the stage to a TE2000 microscope:

1. Fit the stage, including spacers, to the microscope using screw A x 4.

To fit the stage to a N300 microscope, when configured for a TE2000 microscope:

1. Extract the screw B x 4, to allow for the removal of the spacers from the stage.
2. Rotate both front and rear spacers, through 180°, to allow the central hole on the front spacer, marked N300, and the two outer holes on the rear spacer, marked N300, to align with the fixing holes in the microscope.
3. Fit the spacers to the microscope using screw B x 3 in the positions marked N300, one in the front spacer, and two in the rear spacer.
4. Position the stage onto the spacers and secure using screw A x 4.

To fit the stage to a TE2000 microscope, when configured for a N300 microscope:

1. Extract the screw B x 4, to allow for the removal of the spacer from the stage.
2. Rotate both front and rear spacers, through 180°, to allow the two holes on both spacers, marked TE2000, to align with fixing holes in microscope.
3. Fit the spacers to the microscope using screw B x 4 in the positions marked TE2000, two in front spacer and two in rear spacer.
4. Position the stage onto the spacers and secure using screw A x 4.