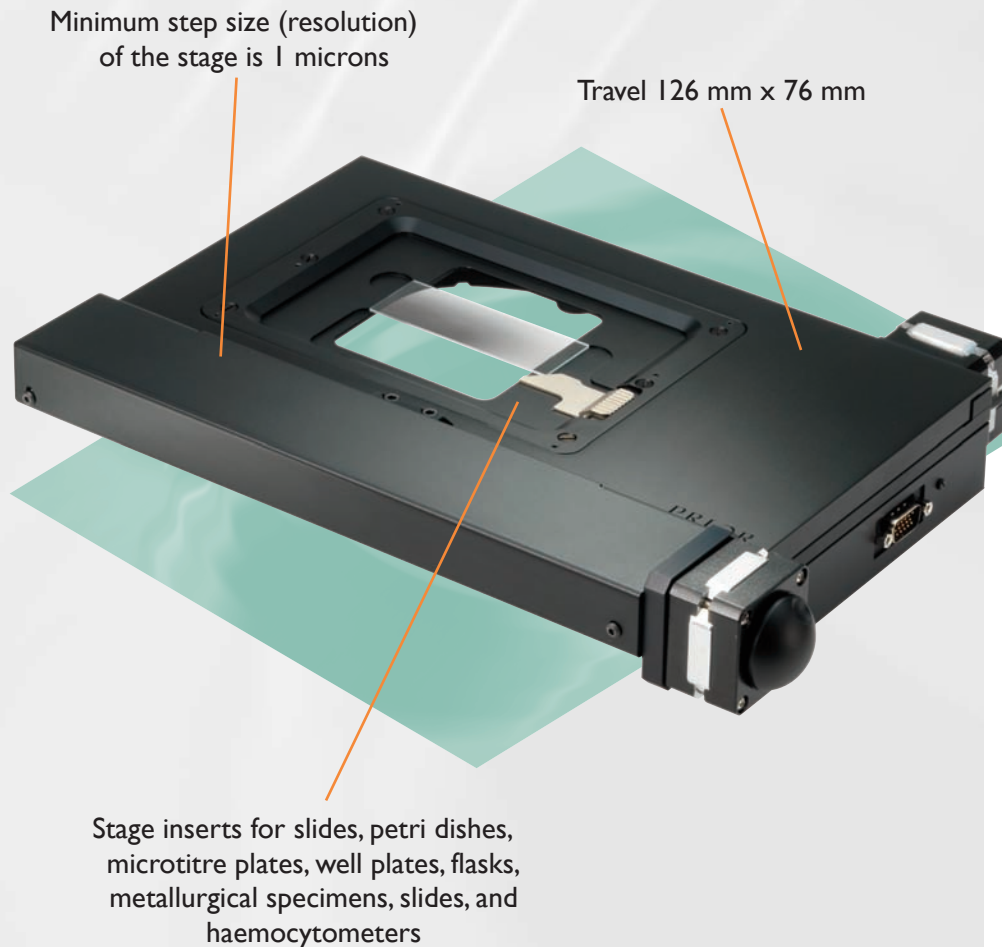


ES111 OptiScan™ Upright Stage

126 mm x 76 mm Travel, Upright Microscope Stage for Transmitted and Reflected Light Applications

Features



The ES111 OptiScan™ stage for upright microscopes provides the ideal platform for a variety of micropositioning applications. Compatible with virtually all upright microscopes, the ES111 offers unprecedented levels of flexibility. The ES111 is the perfect choice for researchers who require a precision motorized stage but don't require the superior levels of precision provided by a Prior ProScan™ series stage.

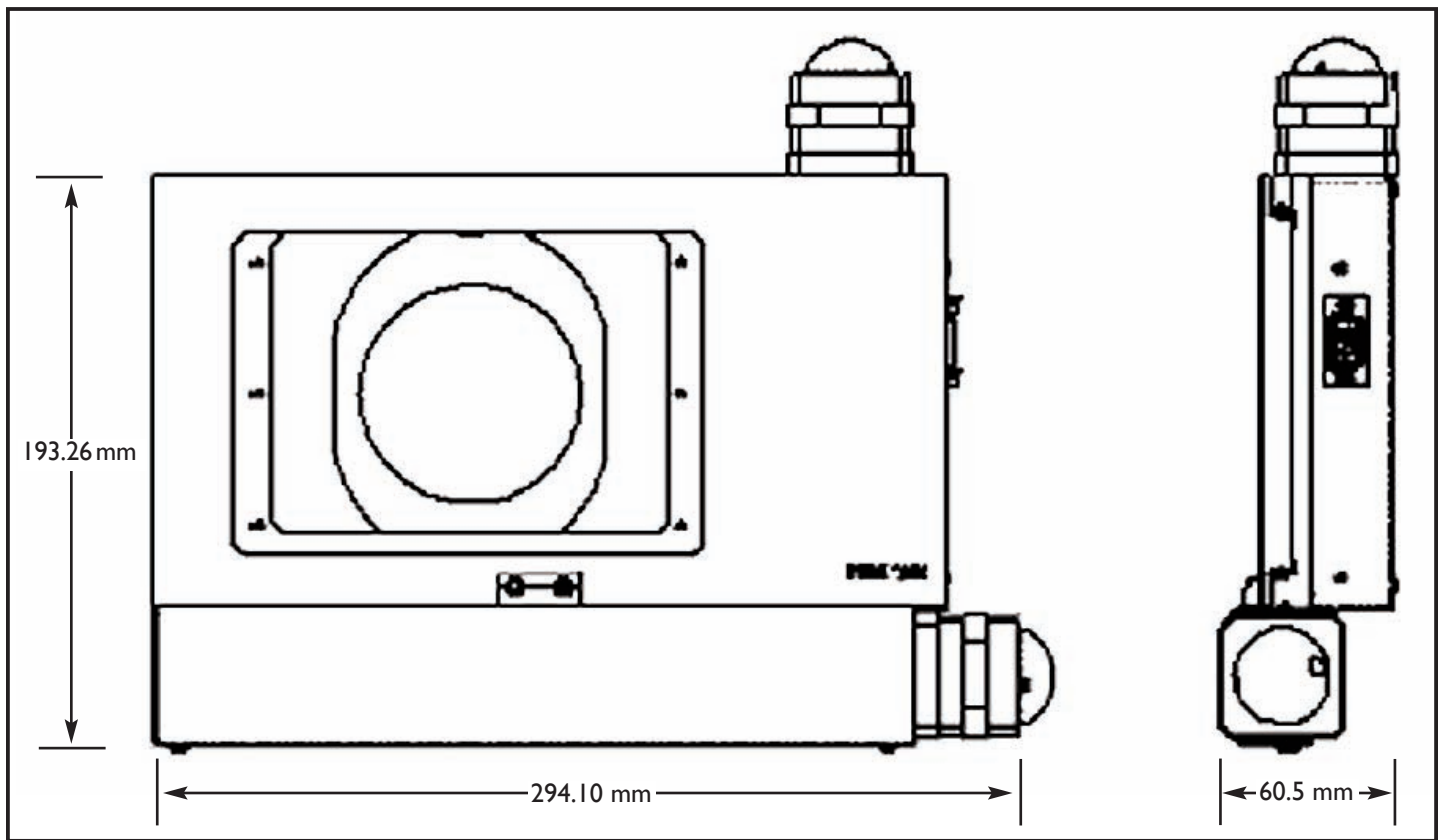
The ES111 is designed to utilize Prior's complete range of specimen holders including glass slides, multi-well plates, petri-dishes and polished metallurgical samples.

The ES111 features include:

- Travel Range 126 mm x 76 mm
- 0.1 µm Resolution
- 5 µm Repeatability
- Interchangeable Sample Holders
- High Precision Lead Screw
- Anti-Backlash Mechanism
- Semi-Adjustable Limit Switches

As an ISO 9001:2000 accredited company, Prior's equipment is designed and manufactured to the highest quality standards. Prior Scientific provides full support and service both direct and indirect through a professional, knowledgeable and extensive global dealer network.

ES111 OptiScan™ Upright Stage

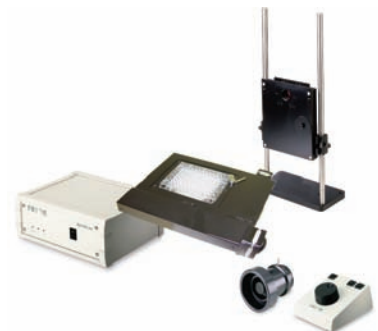


General Specifications

Stage Dimensions 294 mm x 193 mm x 60 mm (WxDxH)	Minimum Step Size (Resolution) 0.1 μm
Travel Range 126 mm x 76 mm	Drive Screws Zero backlash, precision lead screw
Speed Range 1 $\mu\text{m/s}$ -8mm/s	Repeatability $\pm 5 \mu\text{m}$

OptiScan™ System Flexibility

Applications involving microscope automation vary widely. OptiScan™ was designed with this in mind and the result is the most flexible system commercially available. OptiScan™ components can be configured in many different ways which means that systems can be tailored to match your exact requirements. If your needs change you can rest assured that OptiScan™ offers a simple path to future upgrades.



PRIOR
Scientific

PRIOR SCIENTIFIC INSTRUMENTS LIMITED,
UNIT 4, WILBRAHAM ROAD, FULBOURN,
CAMBRIDGE CB1 5ET
TELEPHONE 01223 881711
FAX 01223 881710

PRIOR SCIENTIFIC INC.,
80 RESERVOIR PARK DRIVE,
ROCKLAND, MA 02370-1062
TELEPHONE 781-878-8442
FAX 781-878-8736

VISIT PRIOR ON THE WEB AT www.prior.com

Specifications subject to change without notice.